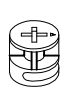
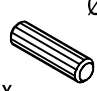




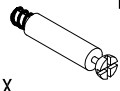


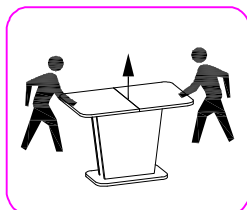
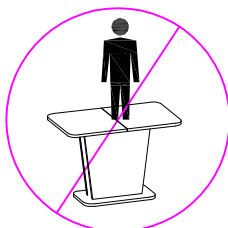
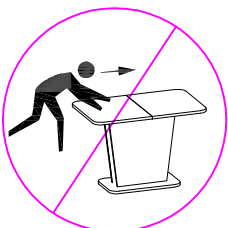


 $\varnothing 7 \times 70$ 8 x a	 15x14 12 x b	 $\varnothing 8 \times 35$ 12 x c	 4x20 44 x d
 1 x e	 4 x f	 1 x g	 D 5 12 x h
 8 x i	 8 x j		

- ① 2 x - 700x112x18
- ② 2 x - 698x610x18
- ③ 1 x - 686x350x25
- ④ 2 x - 686x550x25
- ⑤ 1 x - 686x450x25
- ⑥ 1 x - L-610




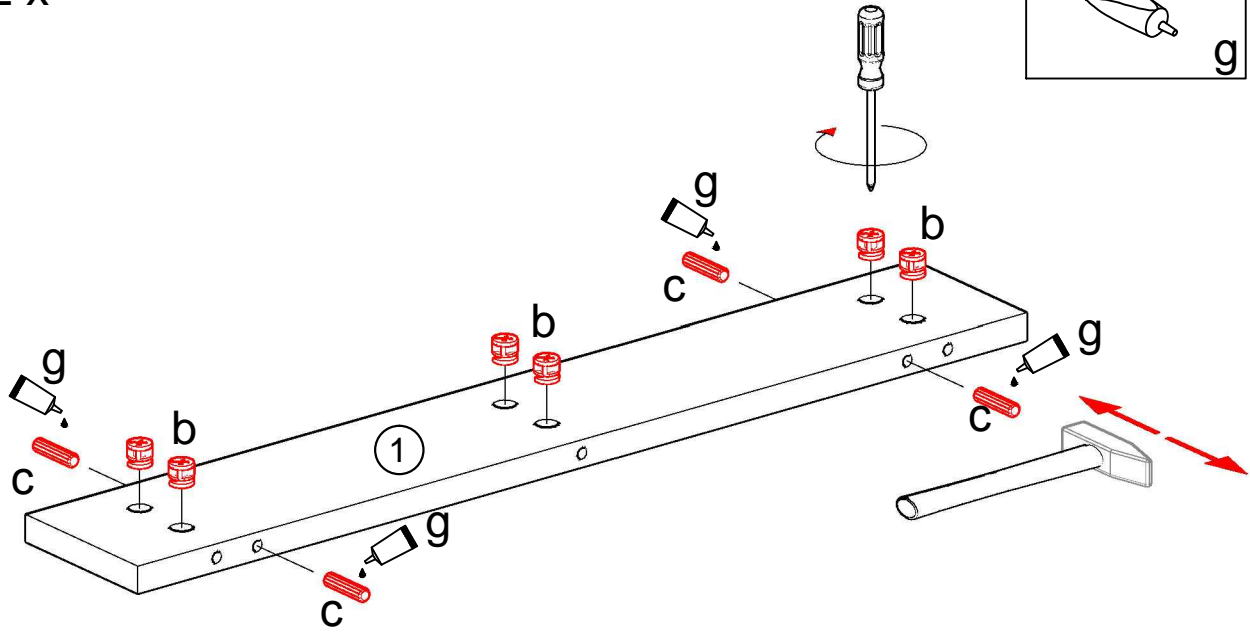
A 

15x14
6 x  b

Ø8x35
4 x  c

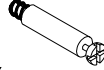
2 x


 g




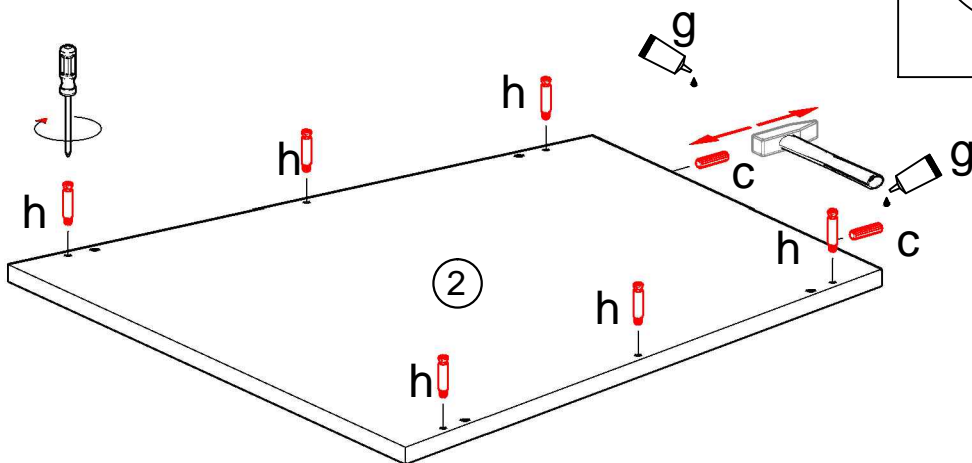
B 

2 x

D 5
6 x  h


Ø8x35
2 x  c


 g

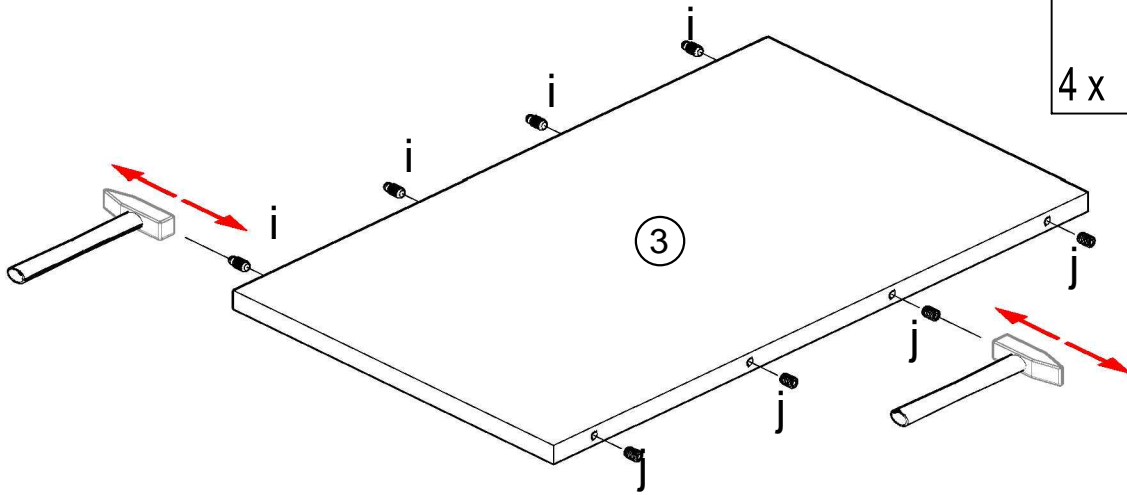


C 

1 x


8x12
4 x  i


8x12
4 x  j

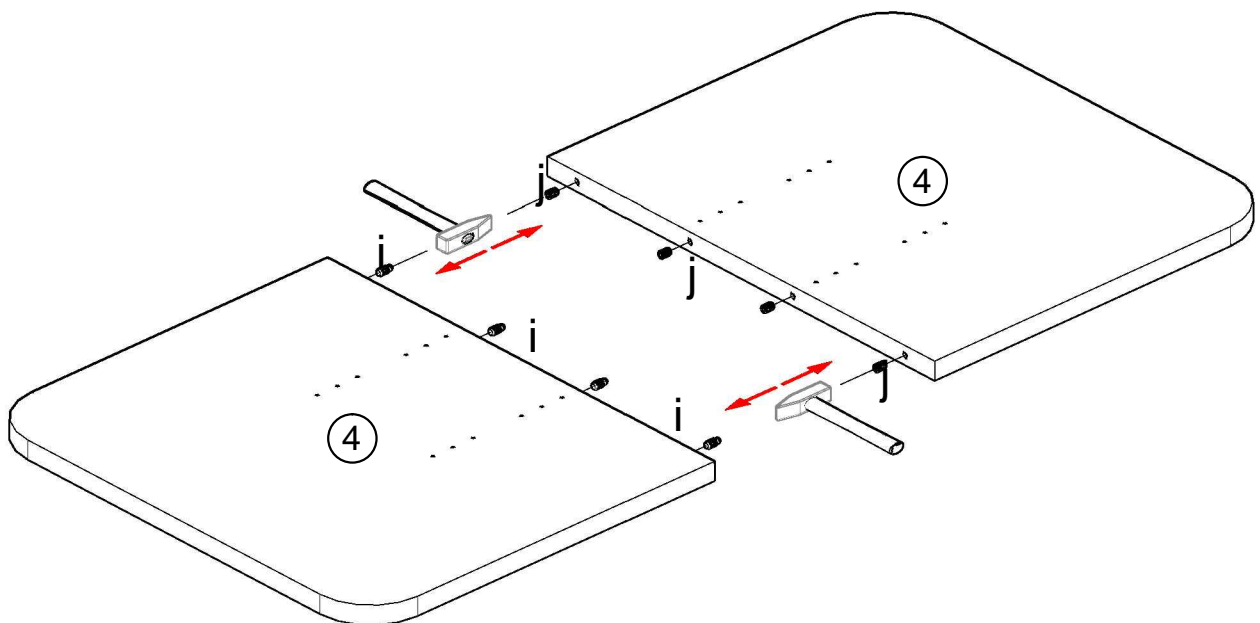


D 

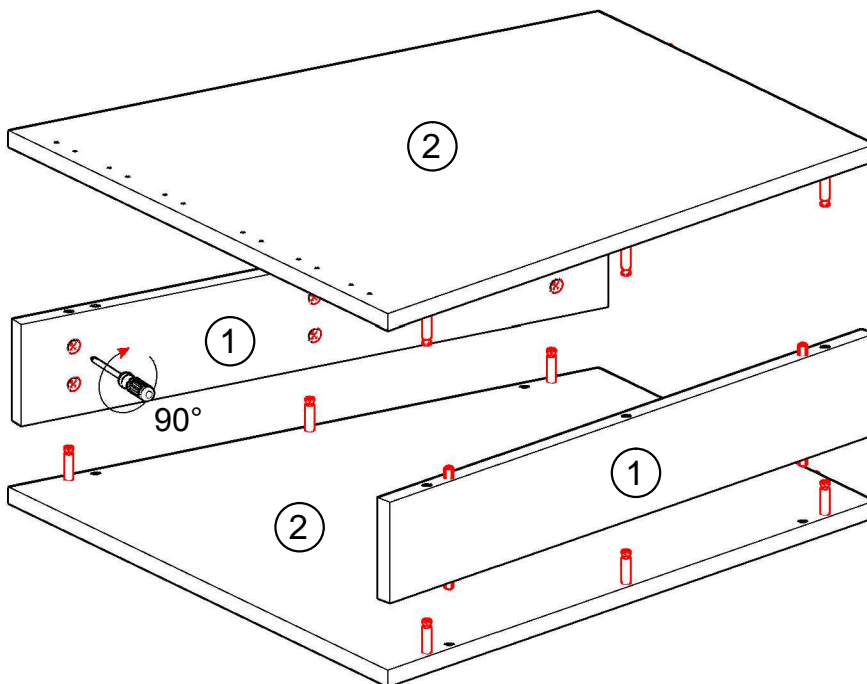
1 x

8x12
4 x  i

8x12
4 x  j

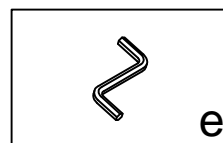
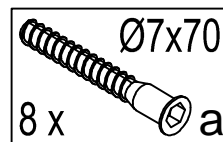
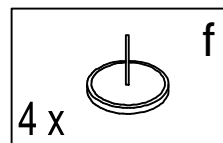
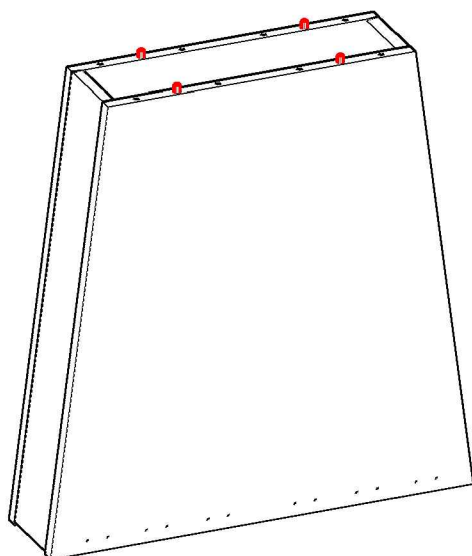
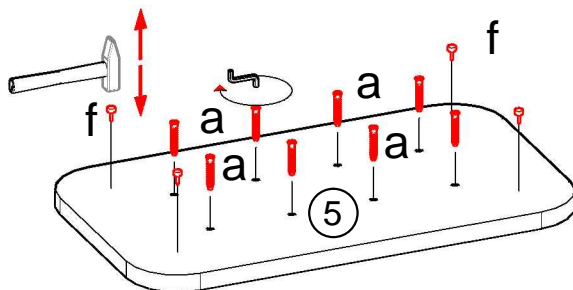


E 



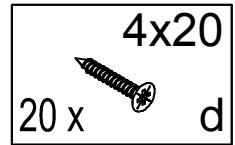
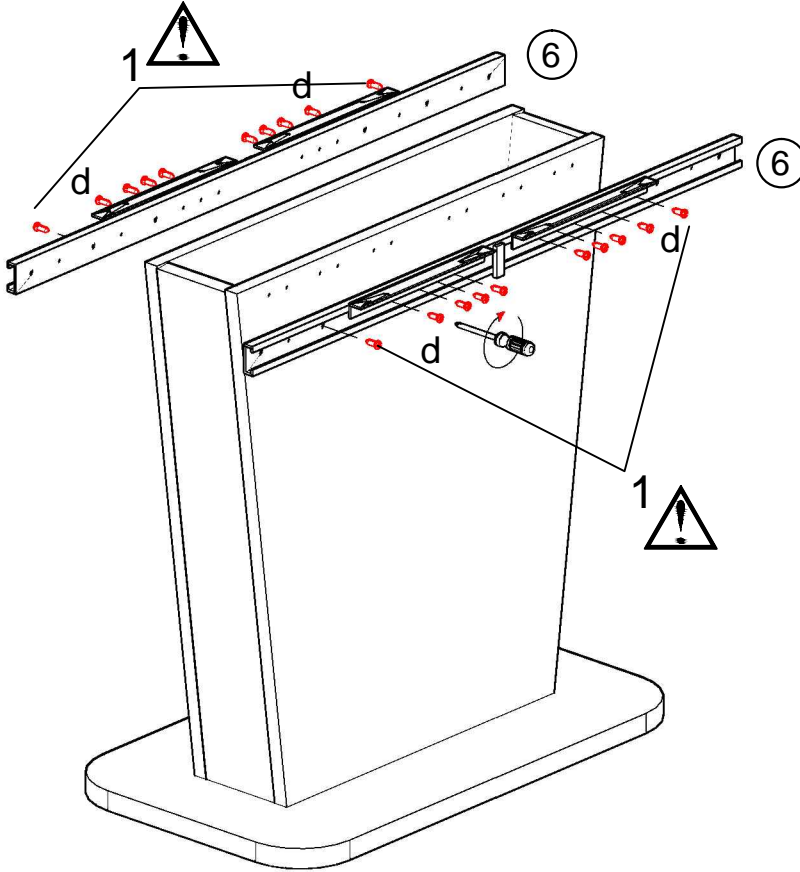
F 

1 x

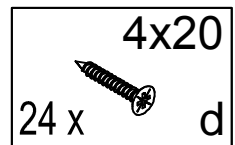
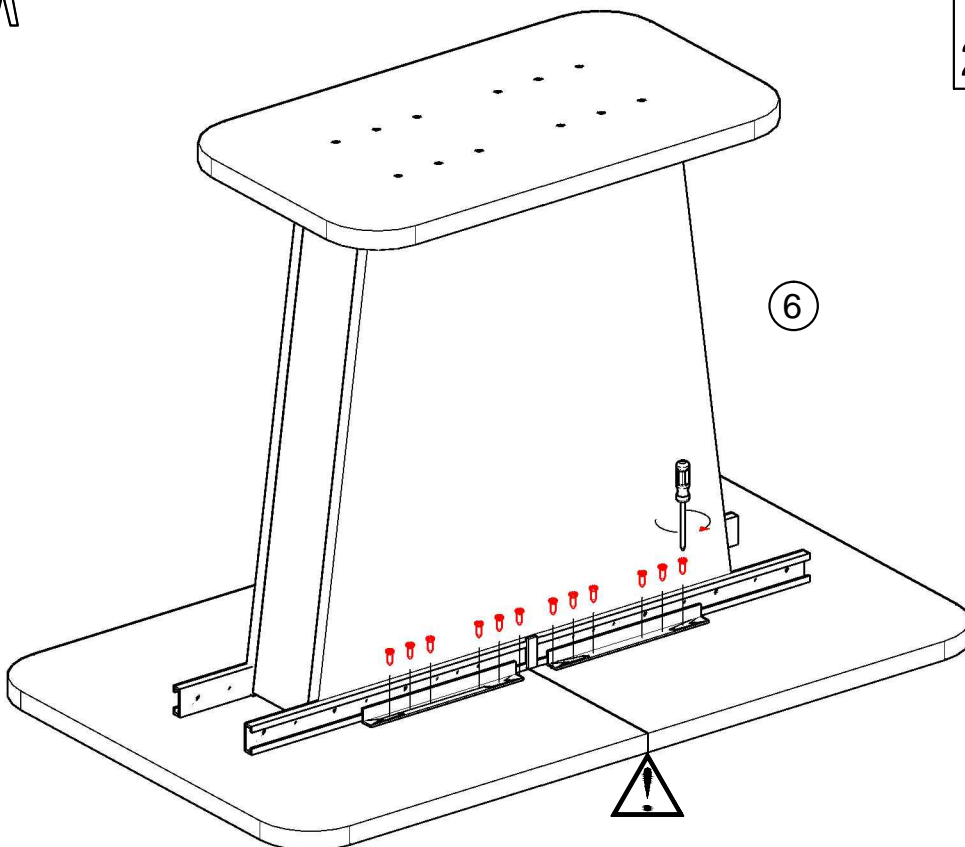


G 

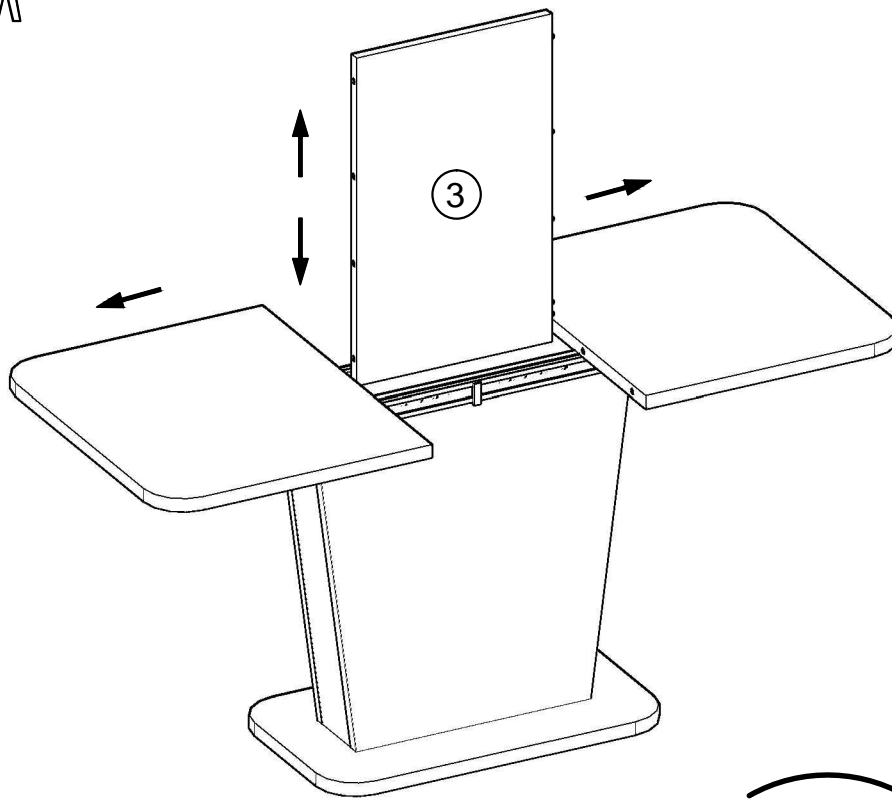
1 x



H 



I



J

