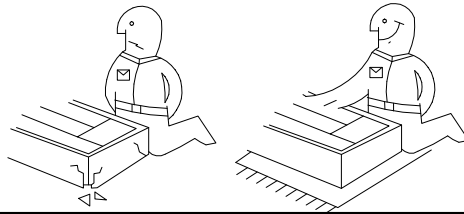
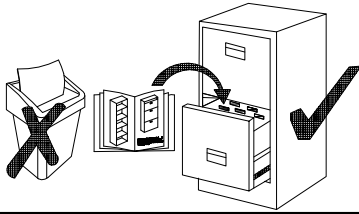
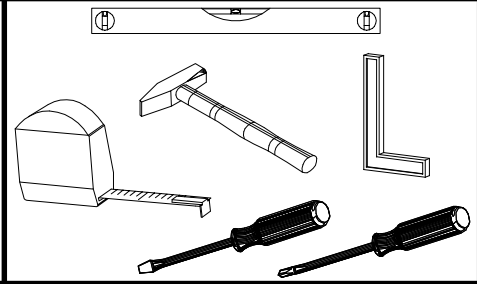
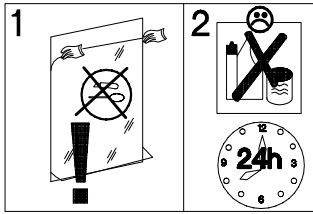
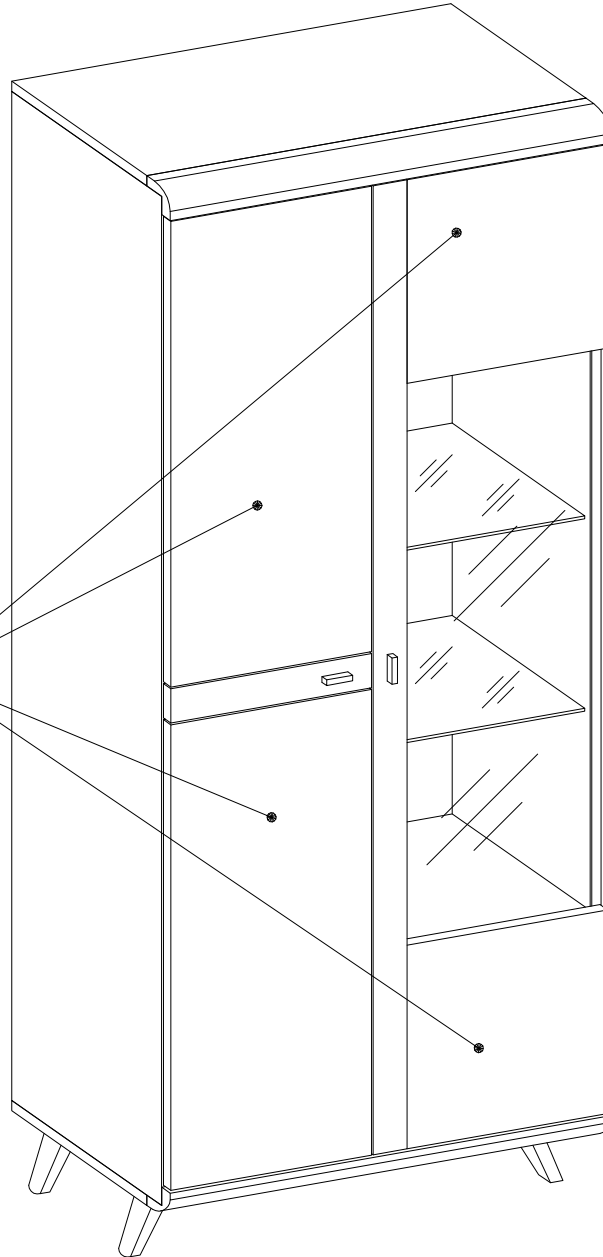


01



ARWH 01





<p>A2</p> <p>4</p>	
<p>R11</p> <p>2</p>	<p>J8</p> <p>8</p>
<p>J7</p> <p>2</p>	<p>L</p> <p>10</p>

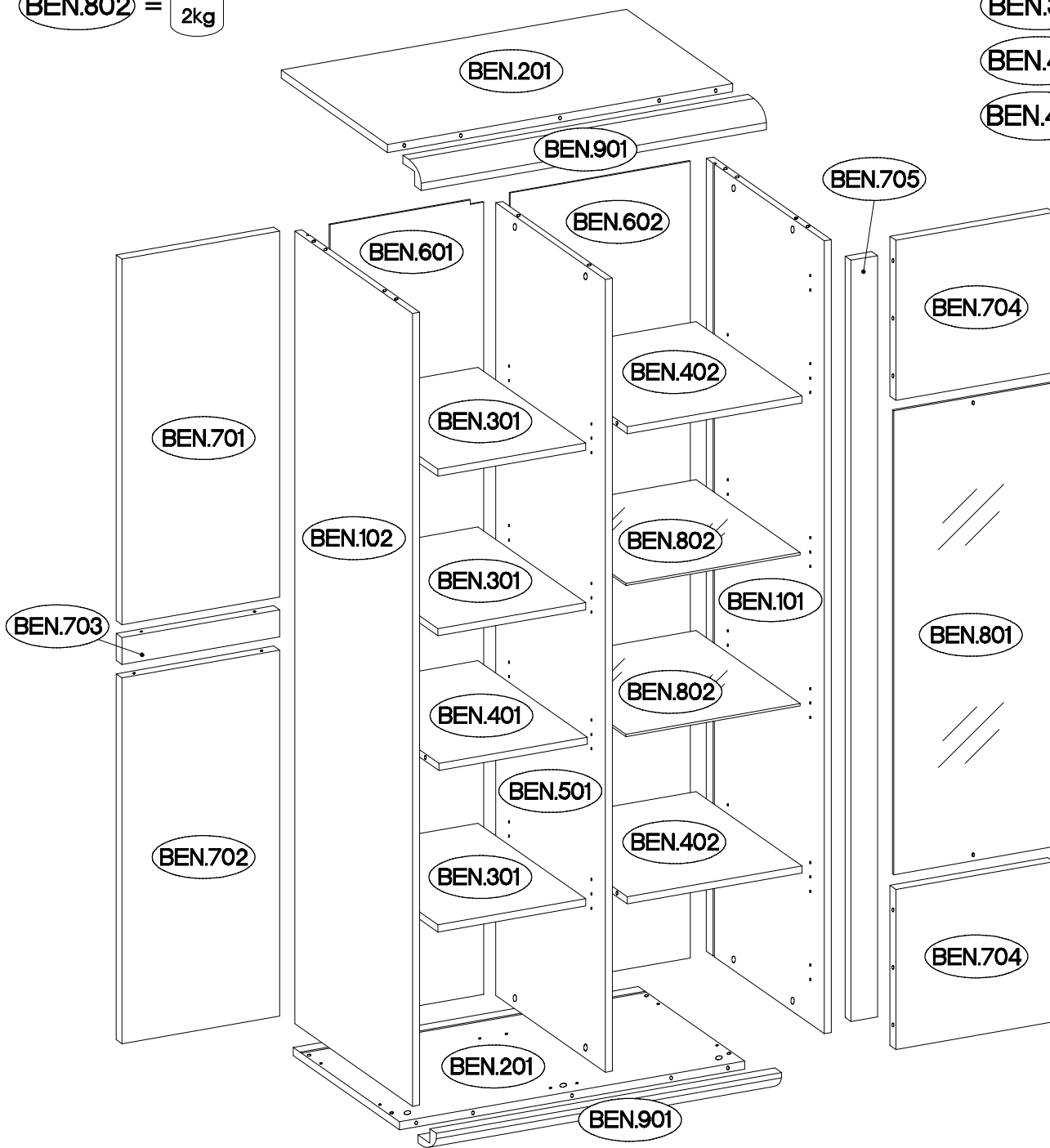
<p>P7</p> <p>27</p>	<p>L2</p> <p>10</p>	<p>P5</p> <p>16</p>	<p>L19</p> <p>1</p>	<p>O7</p> <p>1</p>	<p>P12</p> <p>1</p>	<p>J3</p> <p>12</p>	<p>F13</p> <p>5</p>	<p>P1</p> <p>15</p>
<p>C</p> <p>32</p>	<p>D2</p> <p>32</p>	<p>A</p> <p>8</p>	<p>A5</p> <p>4</p>	<p>E</p> <p>30</p>	<p>H</p> <p>7</p>	<p>G</p> <p>7</p>	<p>L24</p> <p>4</p>	

<p>J12</p> <p>8</p>	<p>U</p> <p>4</p>
<p>E</p> <p>2</p>	<p>S11</p> <p>2</p>

ISM-BEN-01







BEN.802 =  max. 2kg

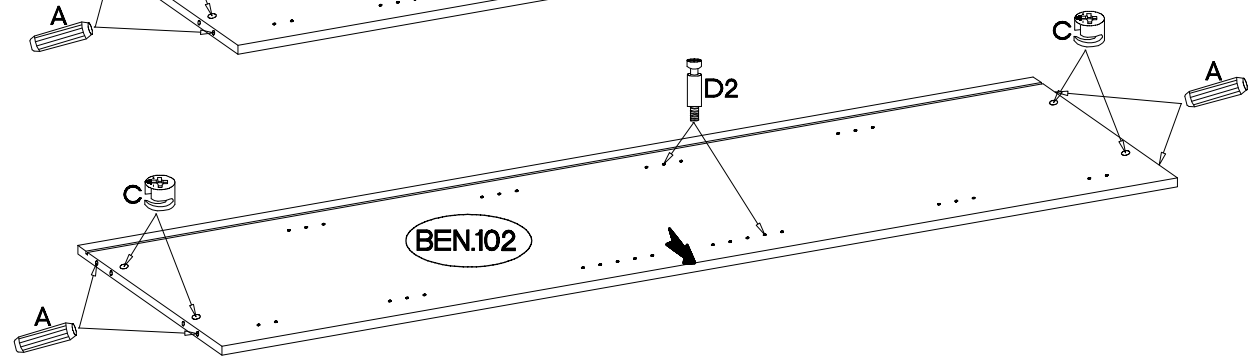
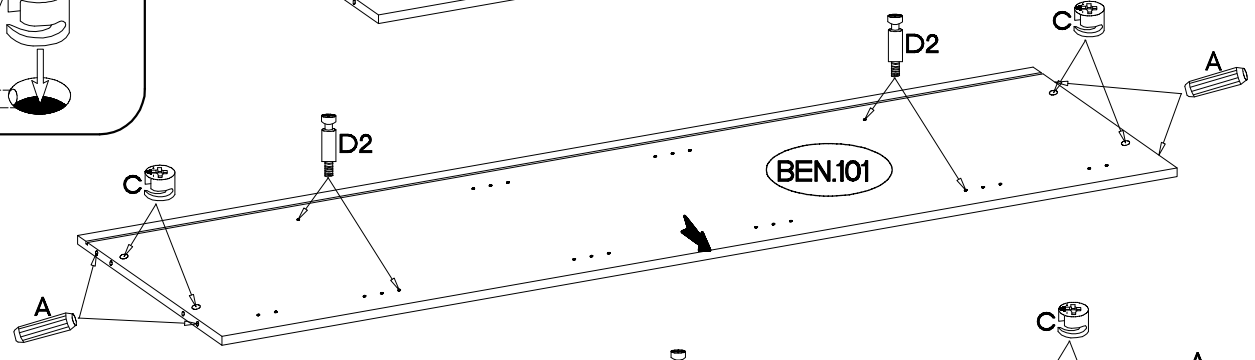
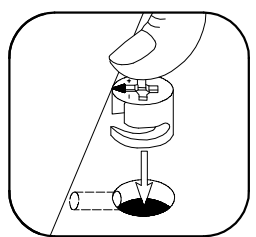
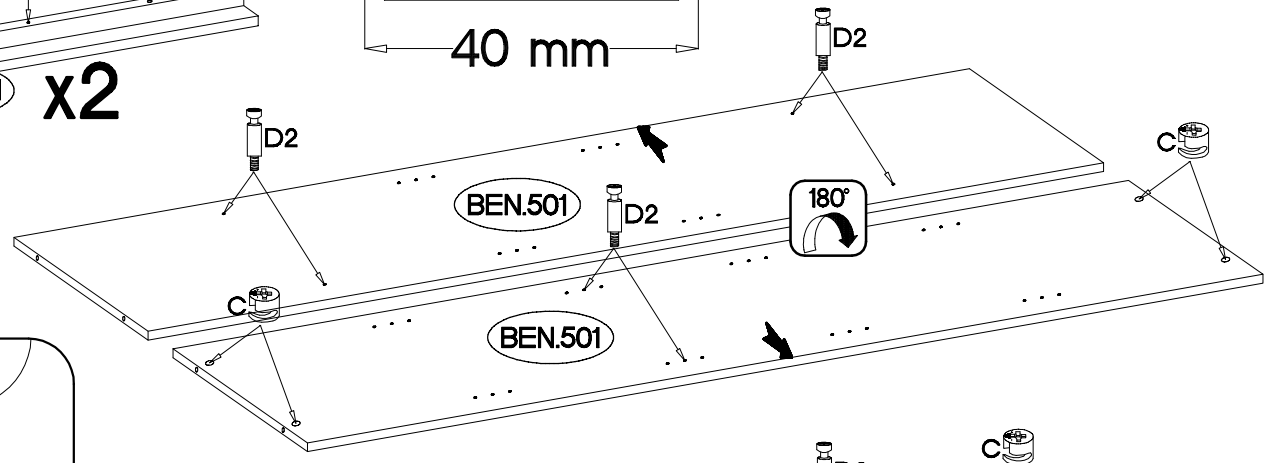
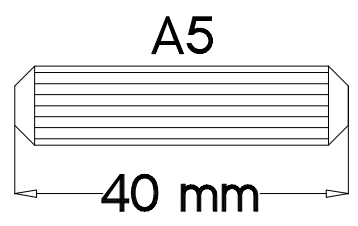
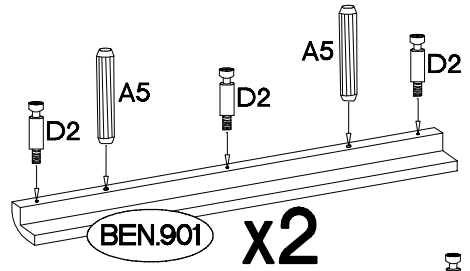
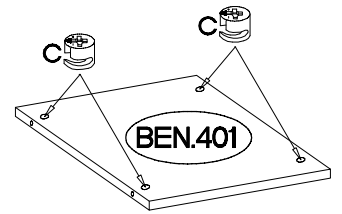
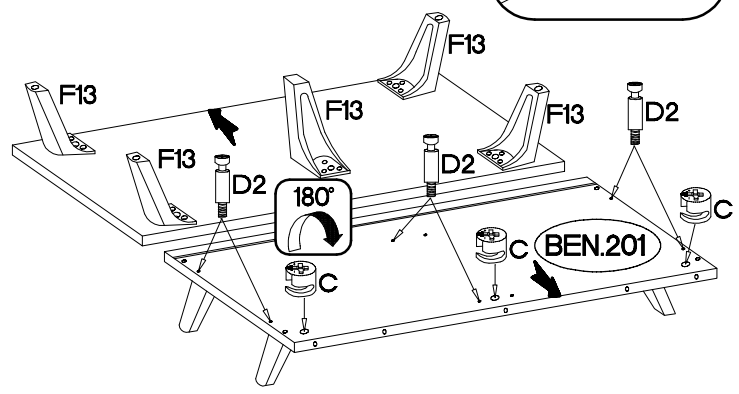
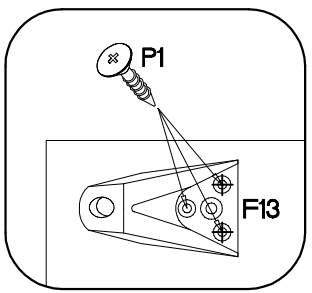
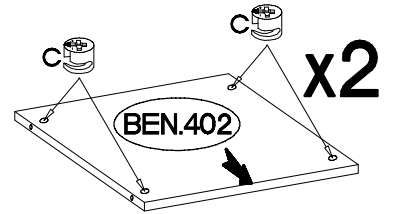
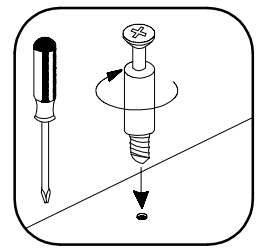
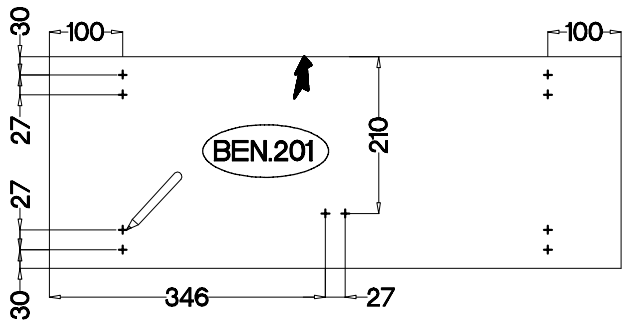
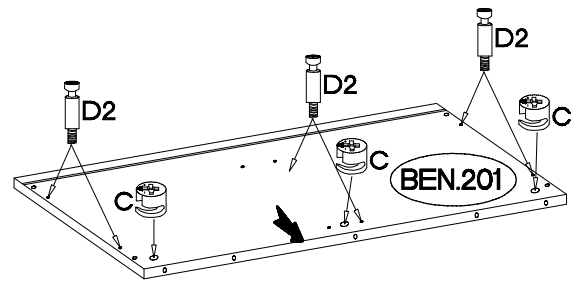
BEN.301 =  max. 5kg



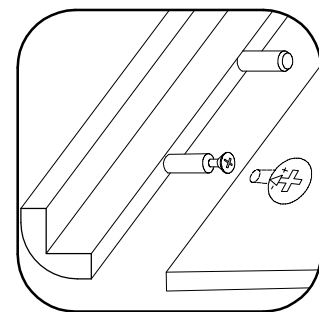
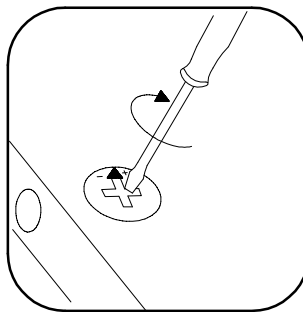
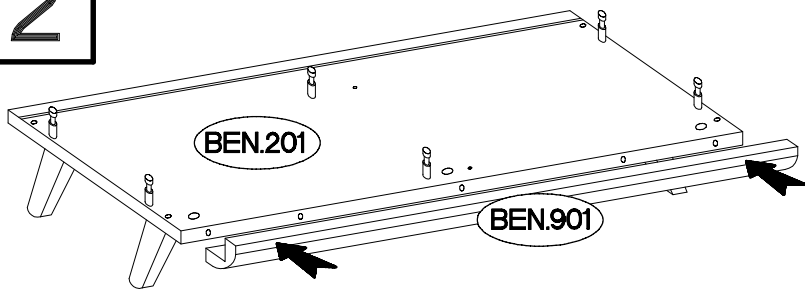
Coli	Ersatzteil Nummer	Dimension	Coli	Ersatzteil Nummer	Dimension
1/2	BEN.201	780x288,5x18 x2	2/2	BEN.101	1764x320x16
	BEN.301	334x283x16 x3		BEN.102	1764x320x16
	BEN.401	335x297x16		BEN.501	1764x298x16
	BEN.402	395x288x16 x2		BEN.601	1773x347x2,5
	BEN.701	814x356x16		BEN.602	1773x407x2,5
	BEN.702	814x356x16		BEN.705	1694x60x16
	BEN.703	356x60x16		BEN.801	1032x358x4
	BEN.704	356x356x16 x2			
	BEN.901	780x50x50 x2			
	BEN.802	394x283x5 x2			

1

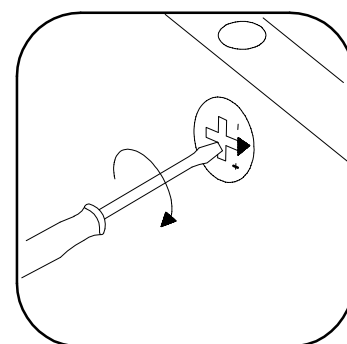
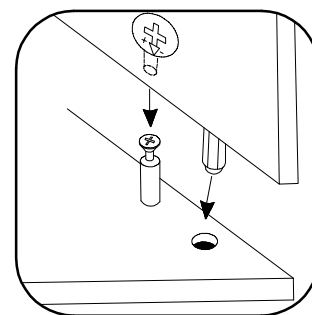
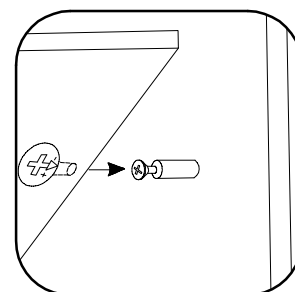
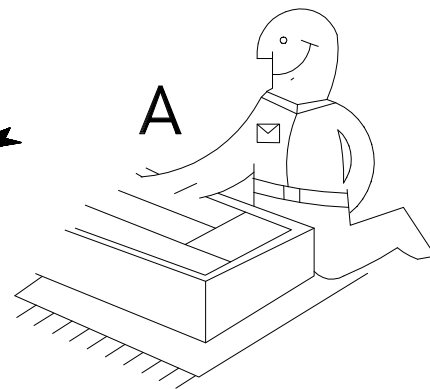
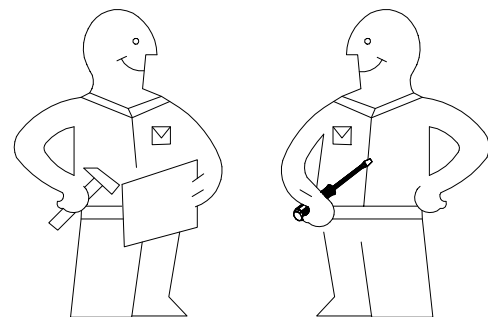
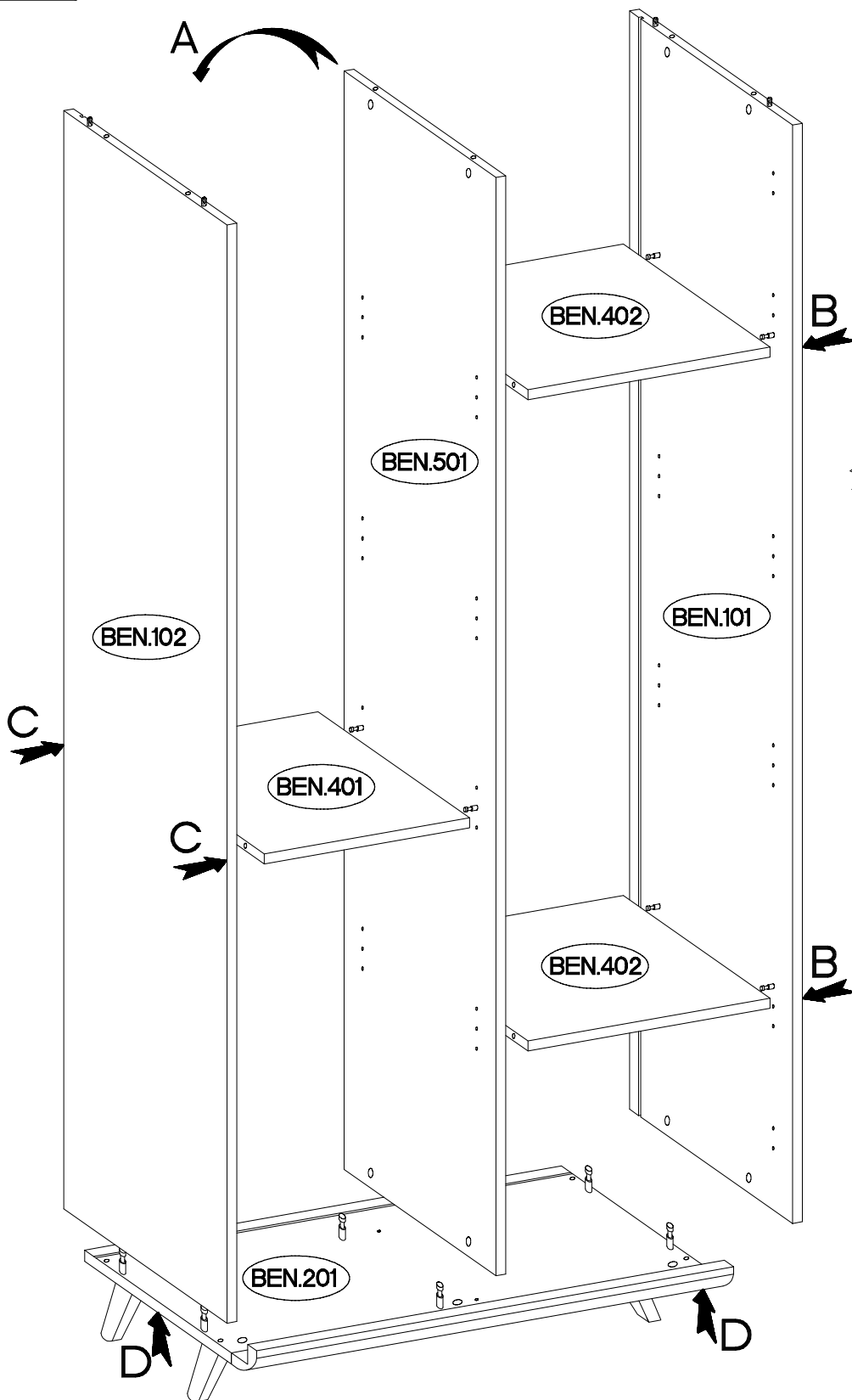
±15/12mm  C	L=20mm  D2	±8x30mm  A	 F13	±4.0x16mm  P1	±8x40mm  A5
30	30	8	5	15	4

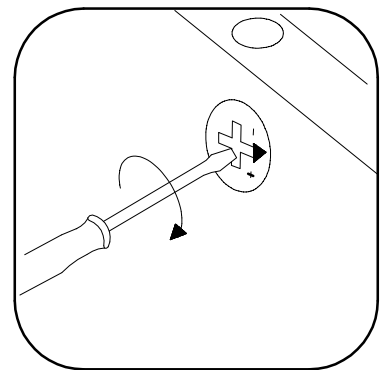
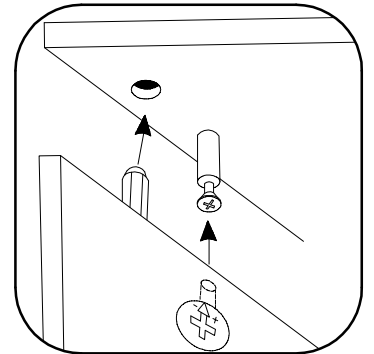
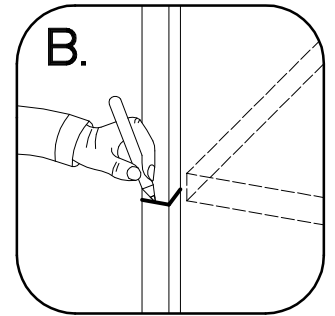
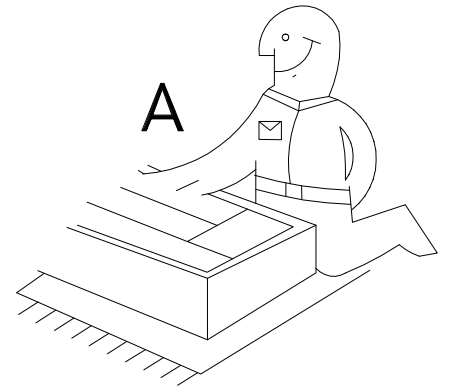
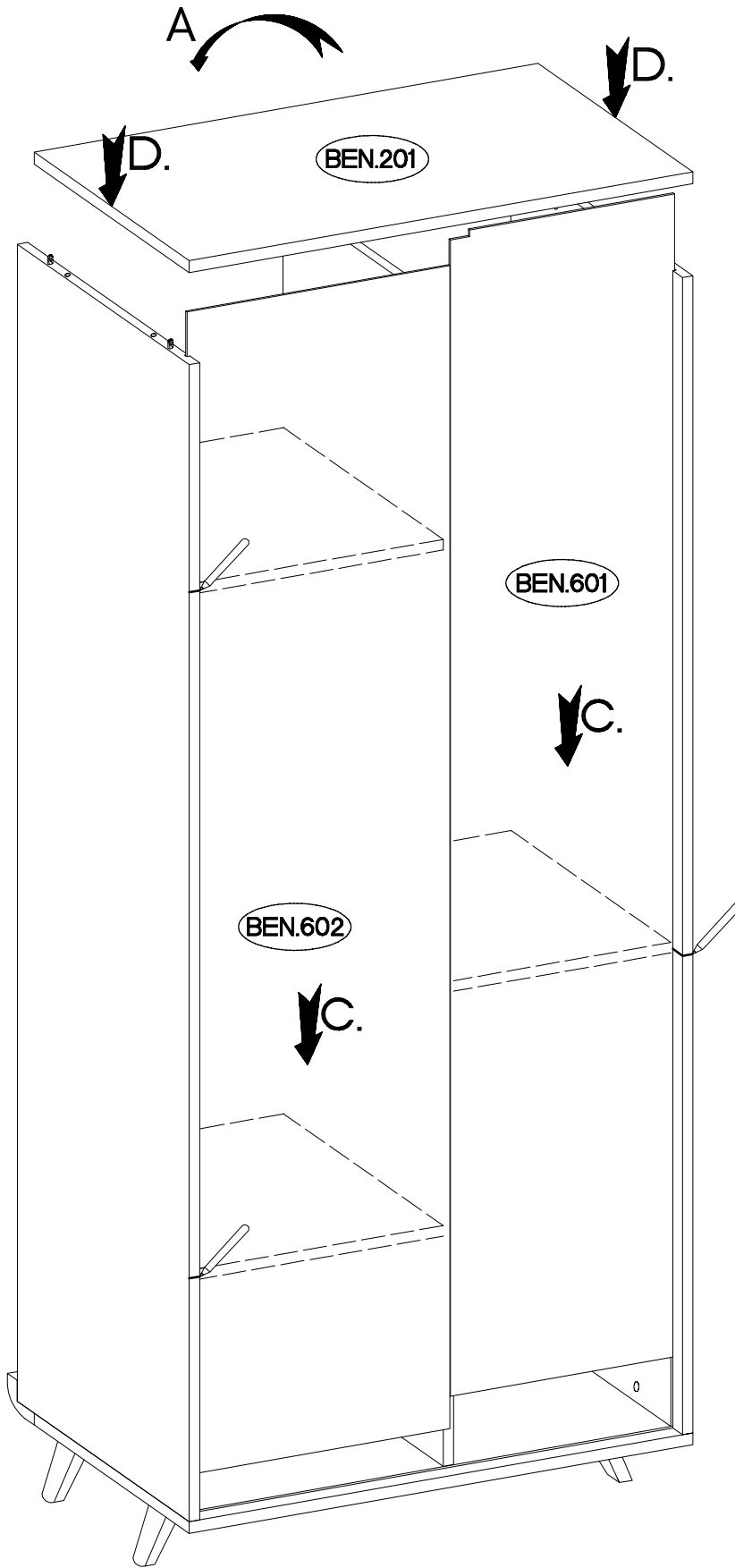


2

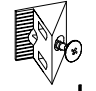

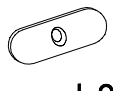


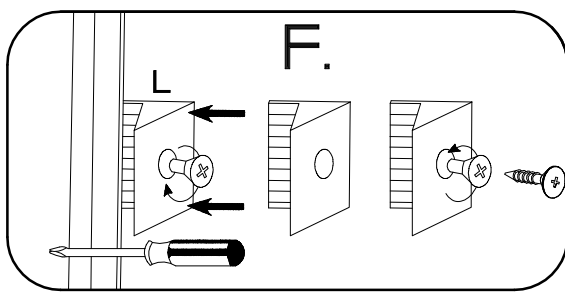
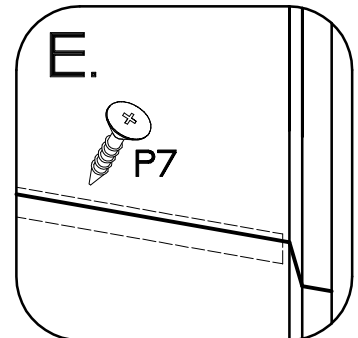
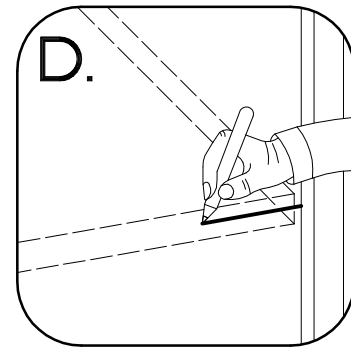
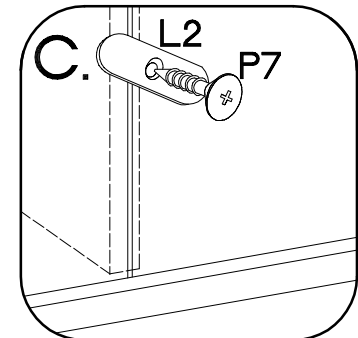
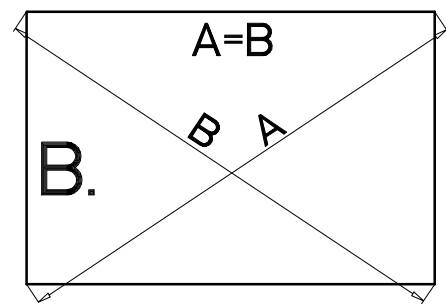
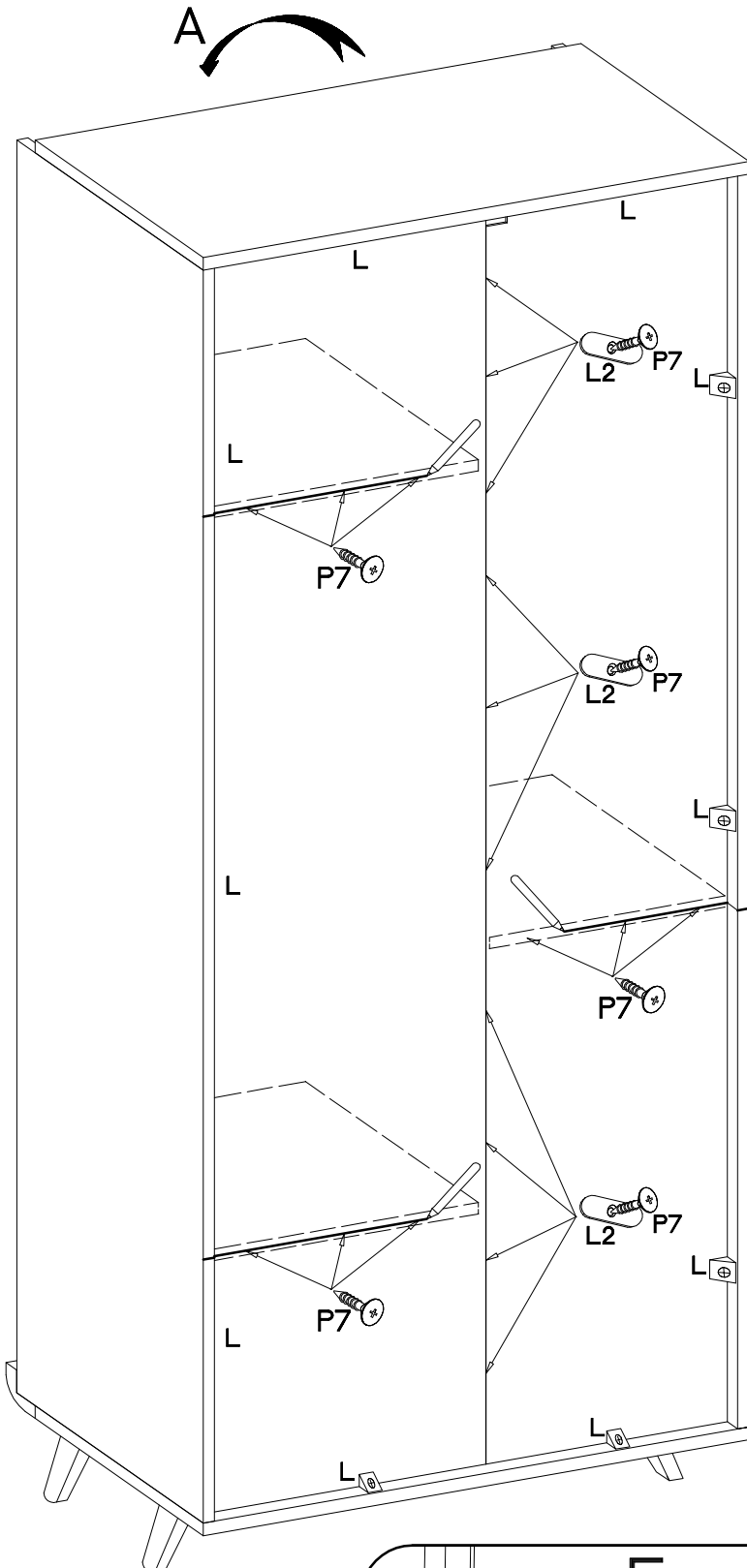
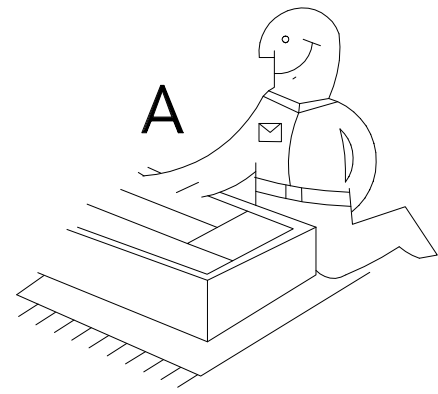
3



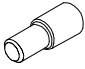
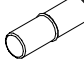



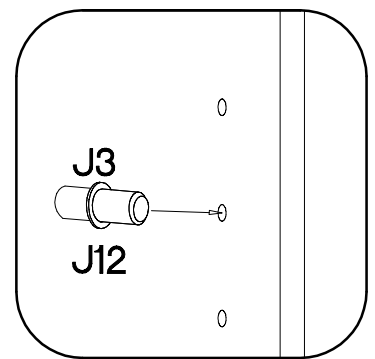
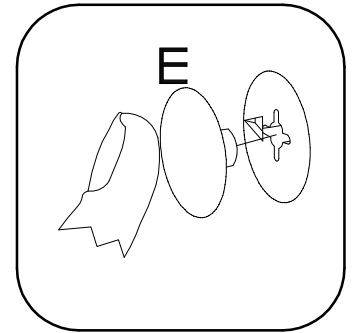
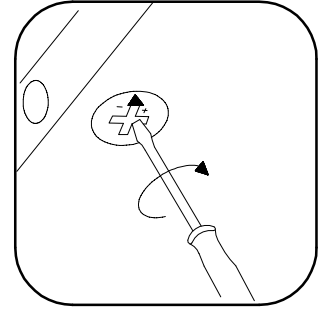
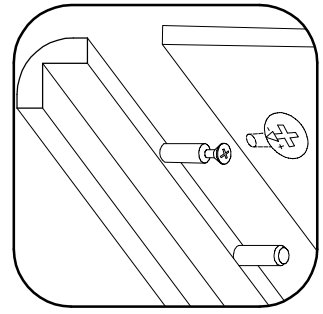
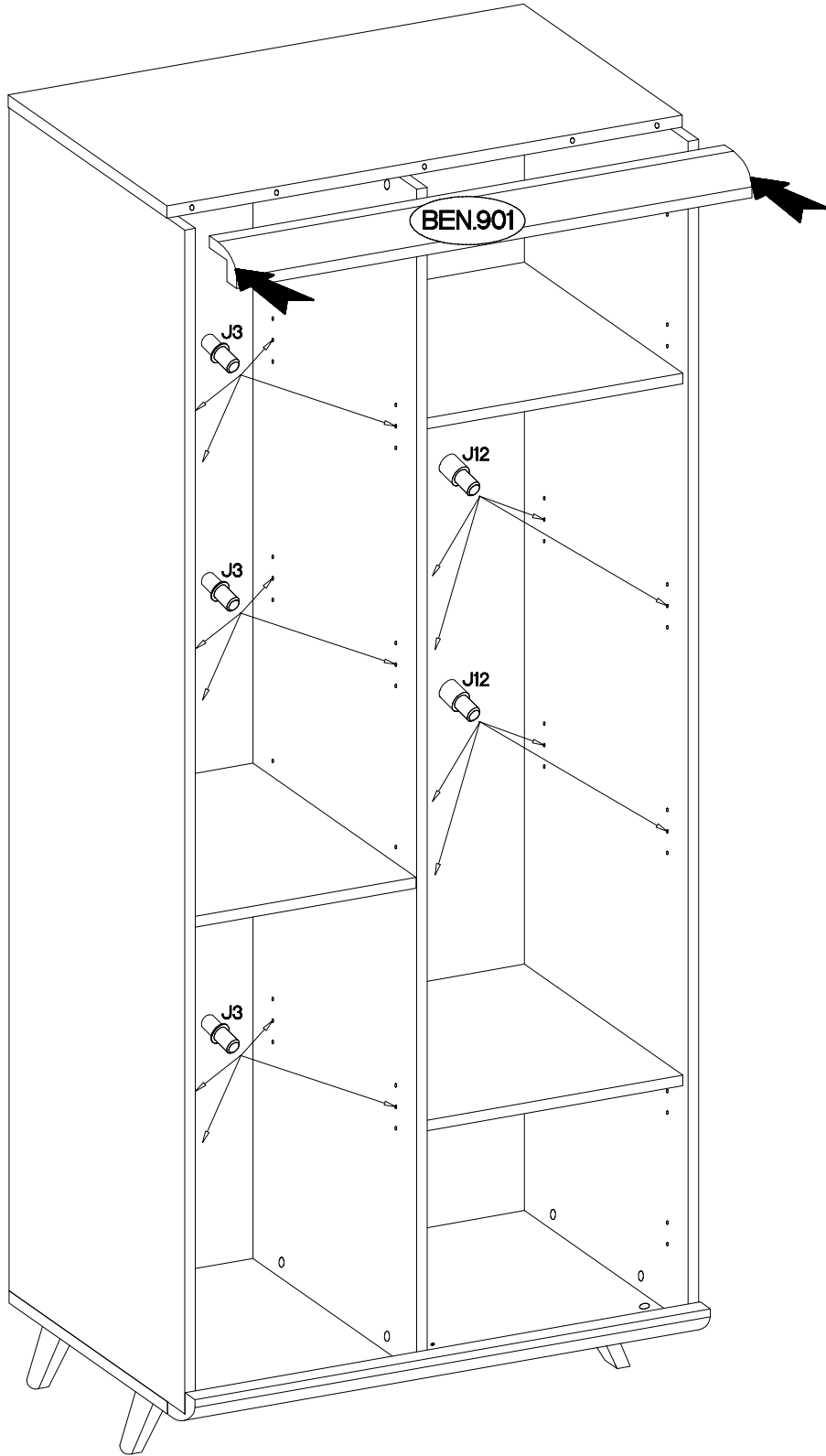
5

 L	$\pm 3.0 \times 20 \text{mm}$  P7	 L2
10	19	10

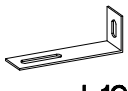





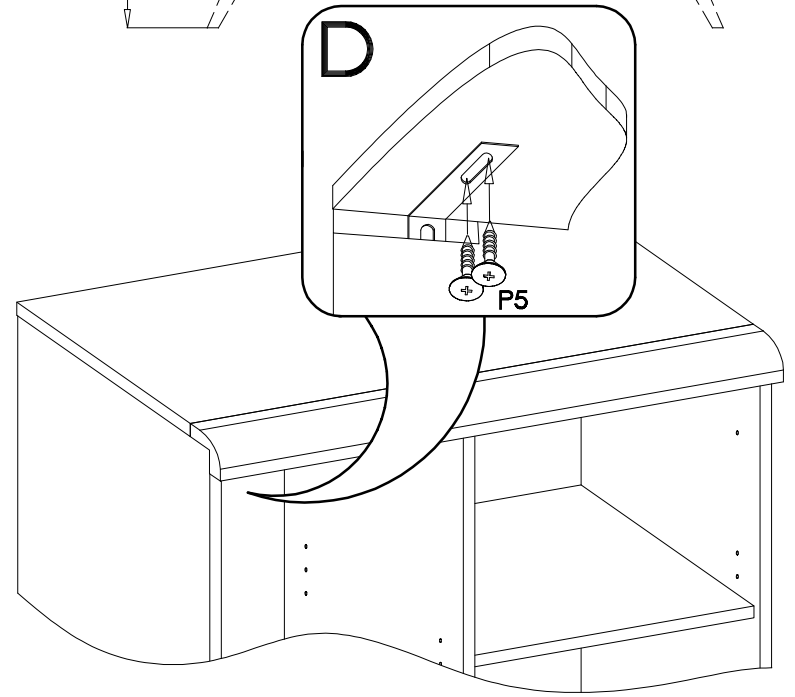
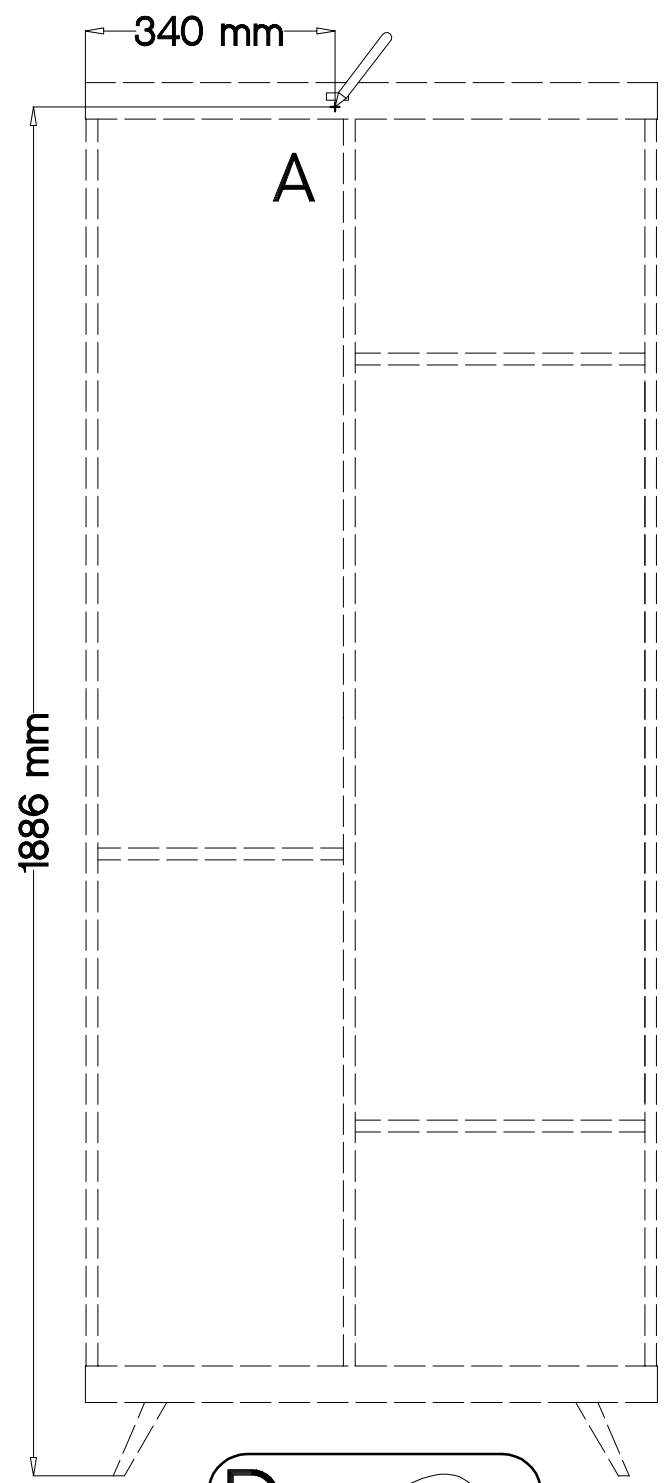
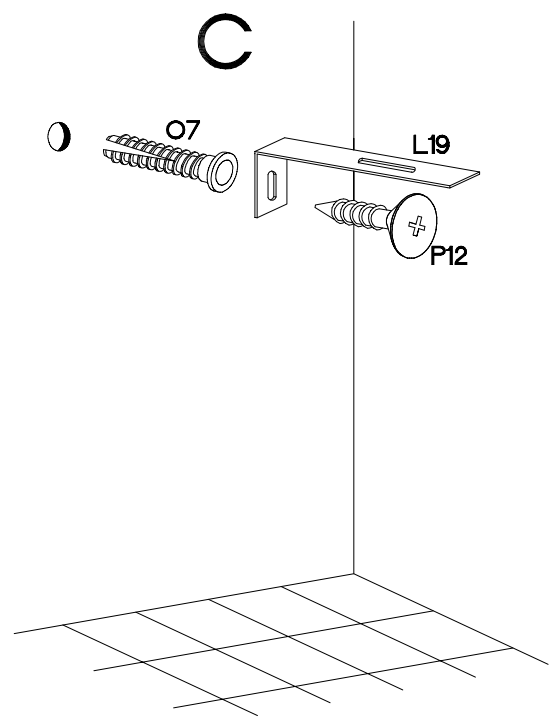
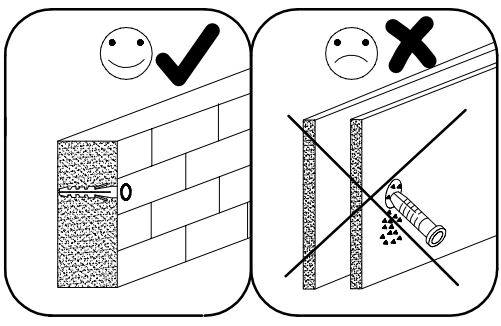
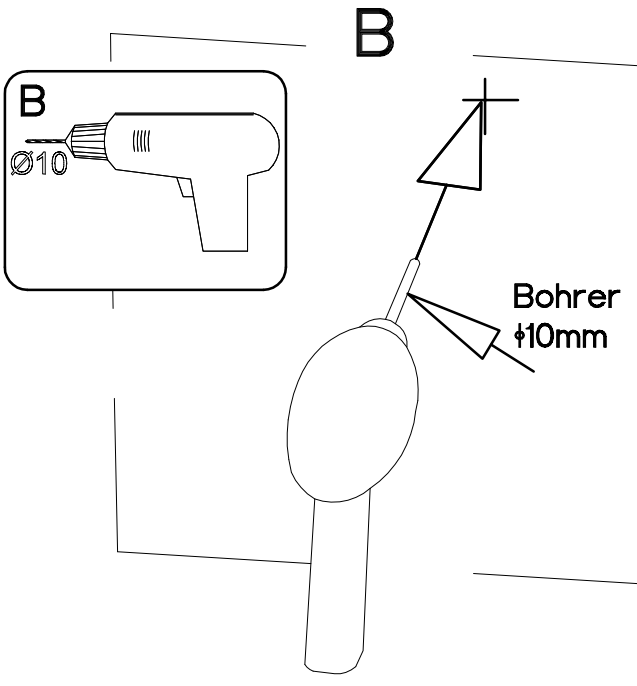
6

±5/16mm	±5/16mm	
		
J12	J3	E
8	12	30

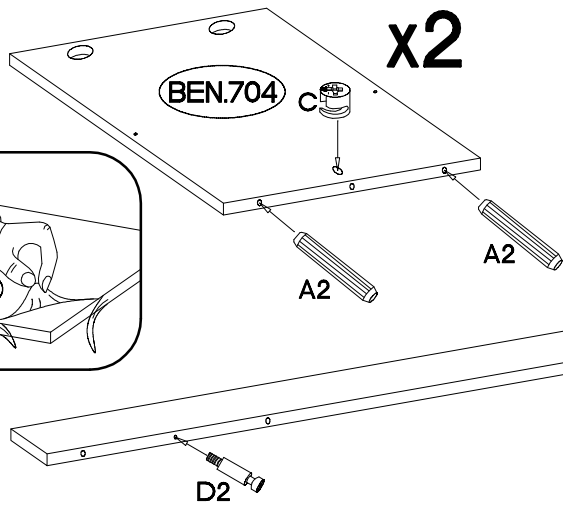


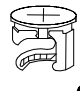
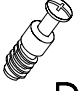
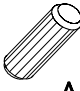
7

			
L19	O7	P12	P5
1	1	1	2

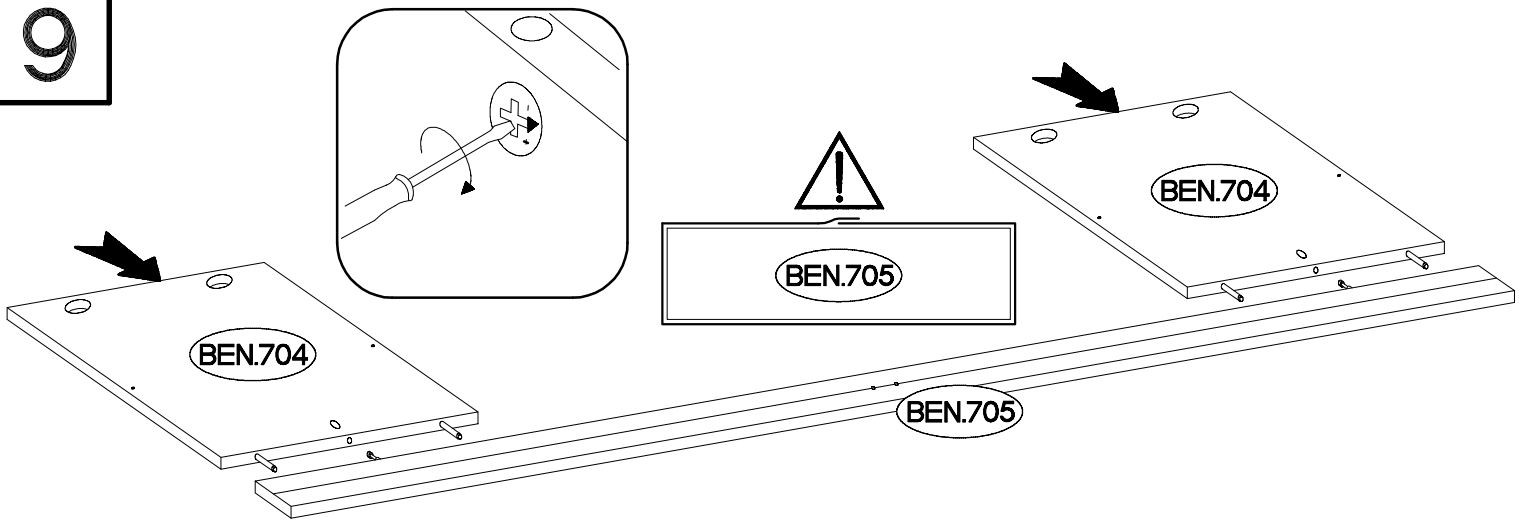


8

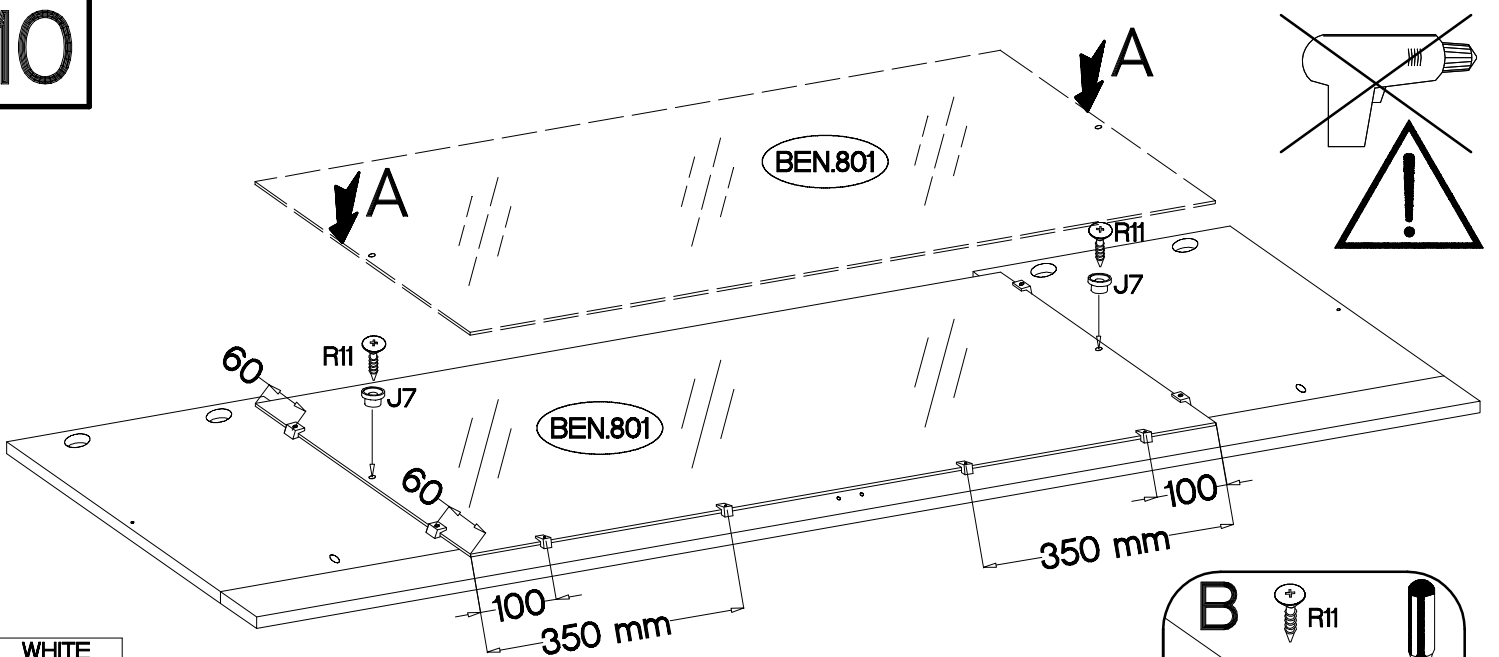







 #15/12mm C 2	 L=20mm D2 2	 #8x60mm A2 4
----------------------------------------------------------------------------------------------------------	---------------------------------------------------------------------------------------------------------	----------------------------------------------------------------------------------------------------------

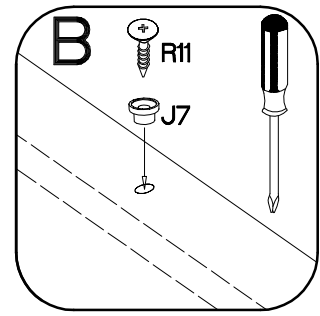
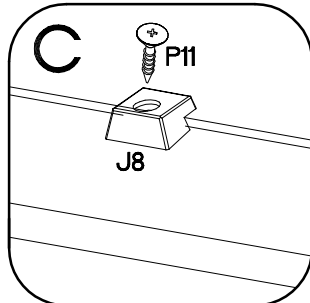
9



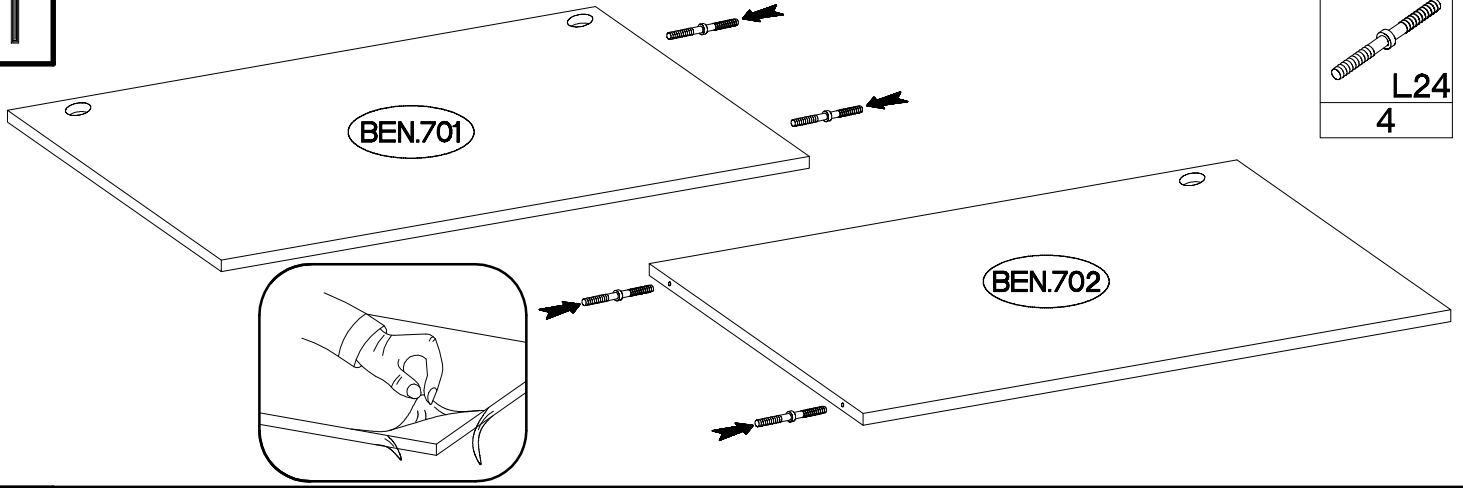
10



WHITE  E 2	 #7/4mm J7 2	 J8 8	 #3.0x20mm P7 8	 #4.0x16mm R11 2
-------------------------------------------------------------------------------------------------------	---------------------------------------------------------------------------------------------------------	------------------------------------------------------------------------------------------------	-------------------------------------------------------------------------------------------------------------	--------------------------------------------------------------------------------------------------------------

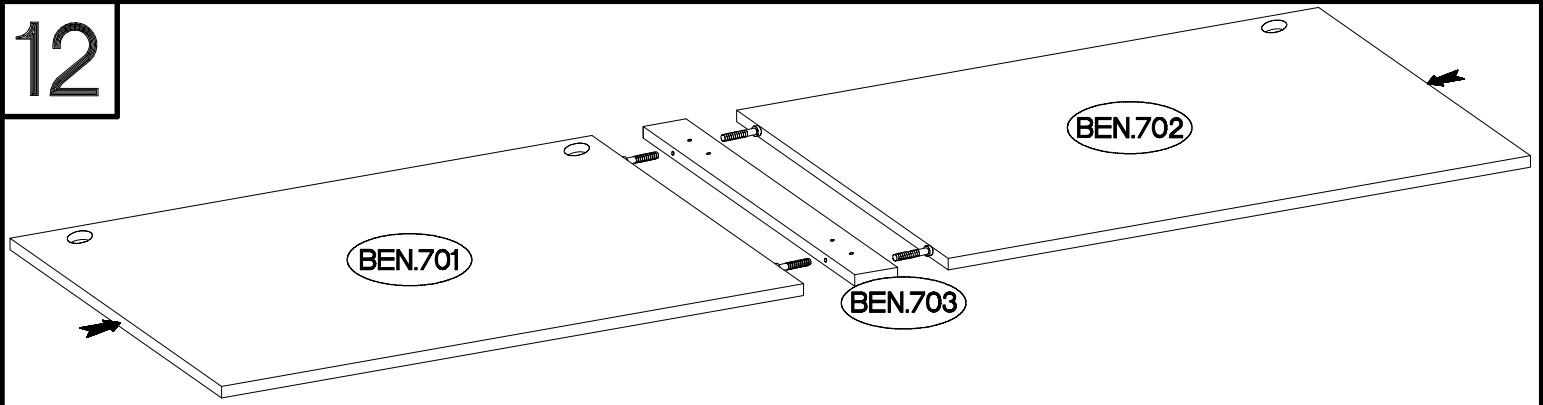


11

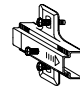
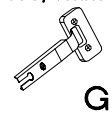



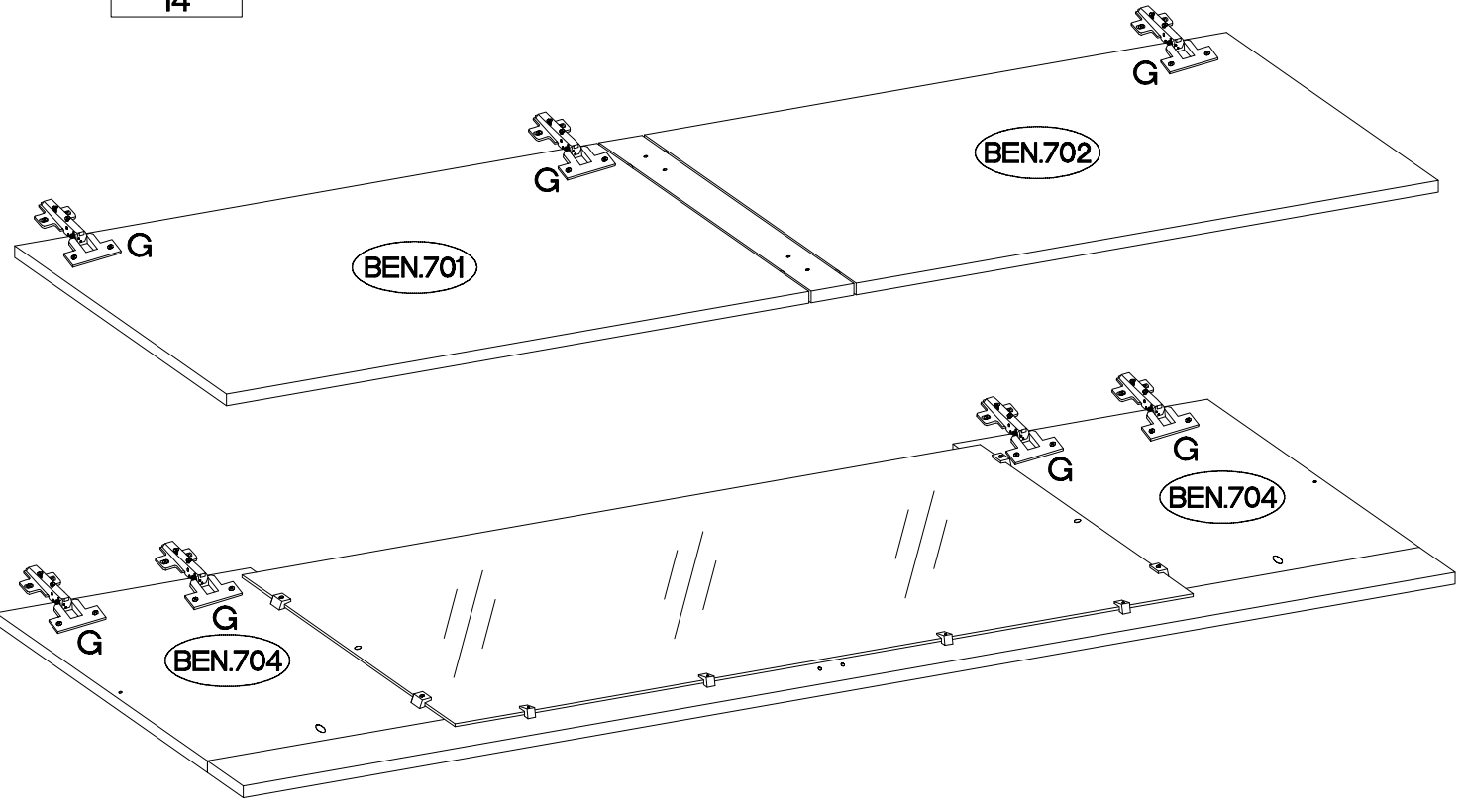
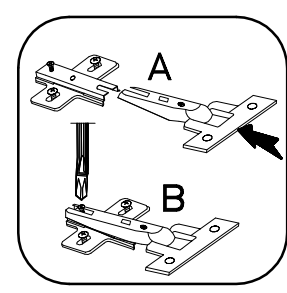
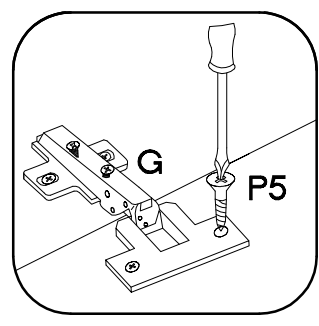
+5/69 mm
L24
4

12





13

H=0	+35/0mm
	
7	7
+3.5x13mm	
	
P5	
14	



14

L=32mm	M4x22mm
	
S11	U
2	4

