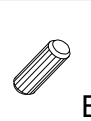
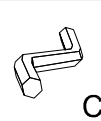

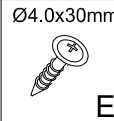

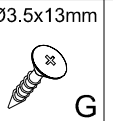
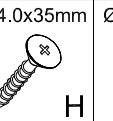
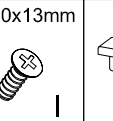
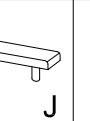

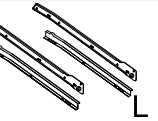
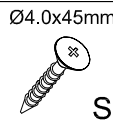
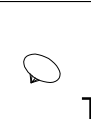
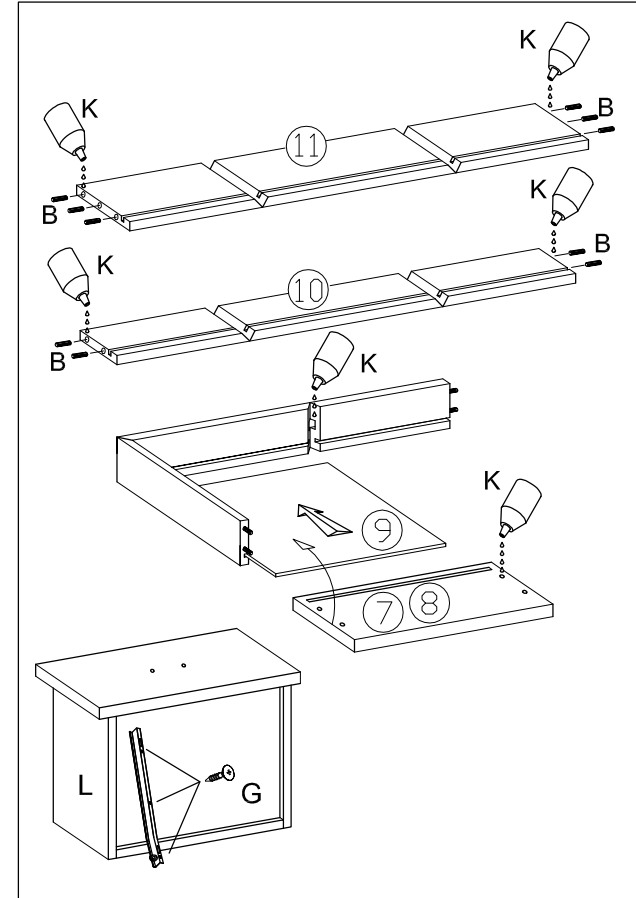
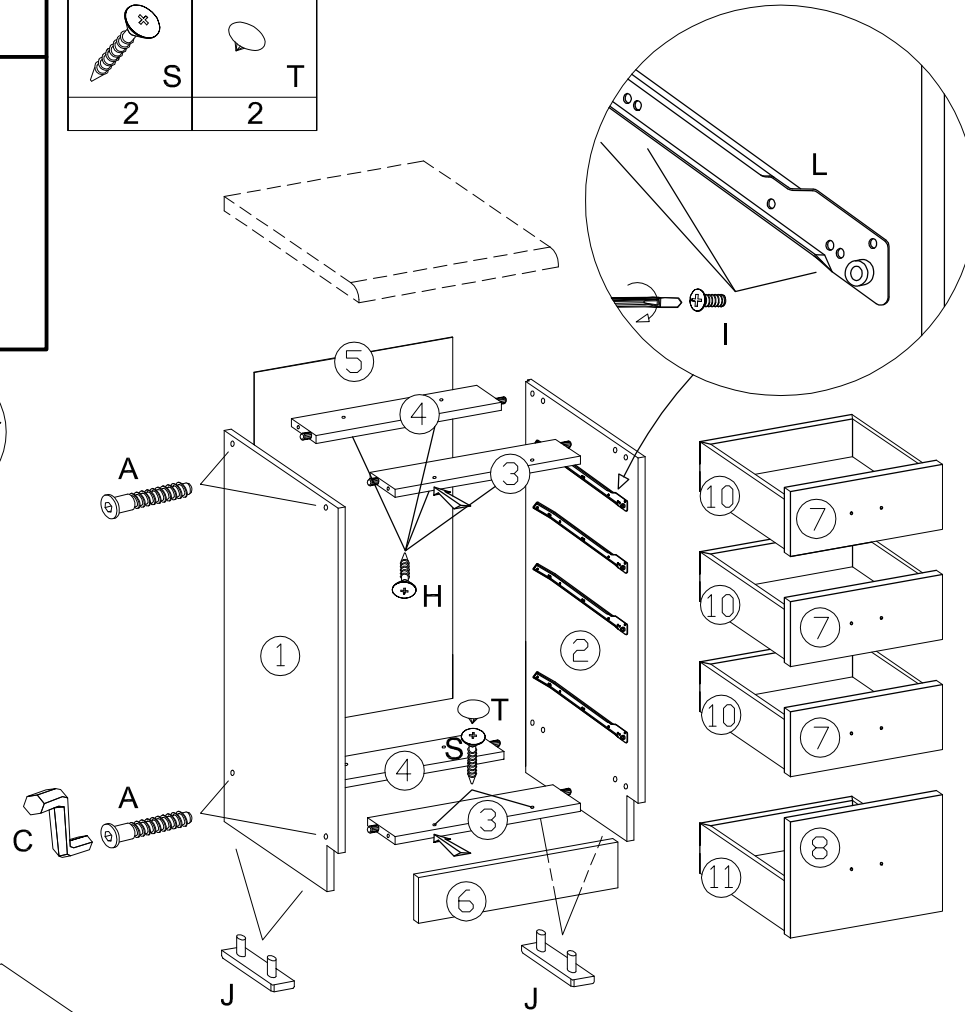
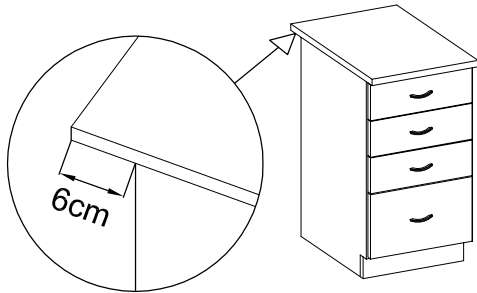
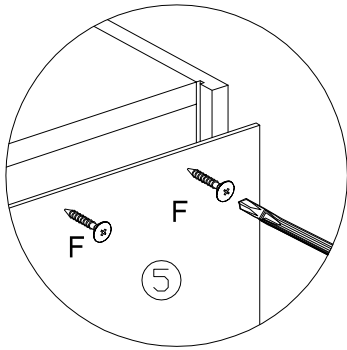
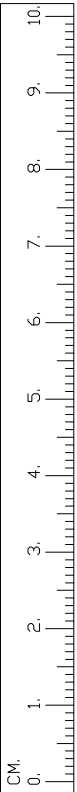
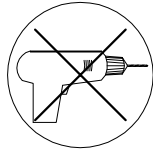
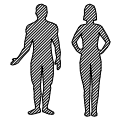
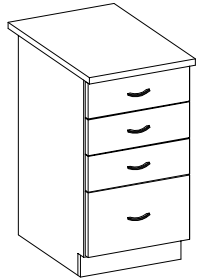
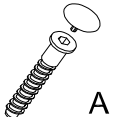
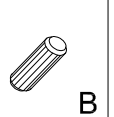
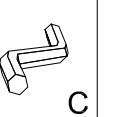
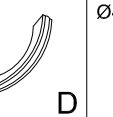
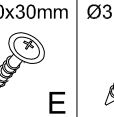
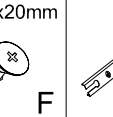
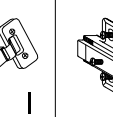
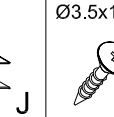
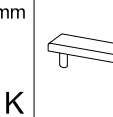
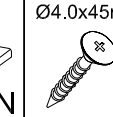
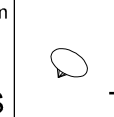

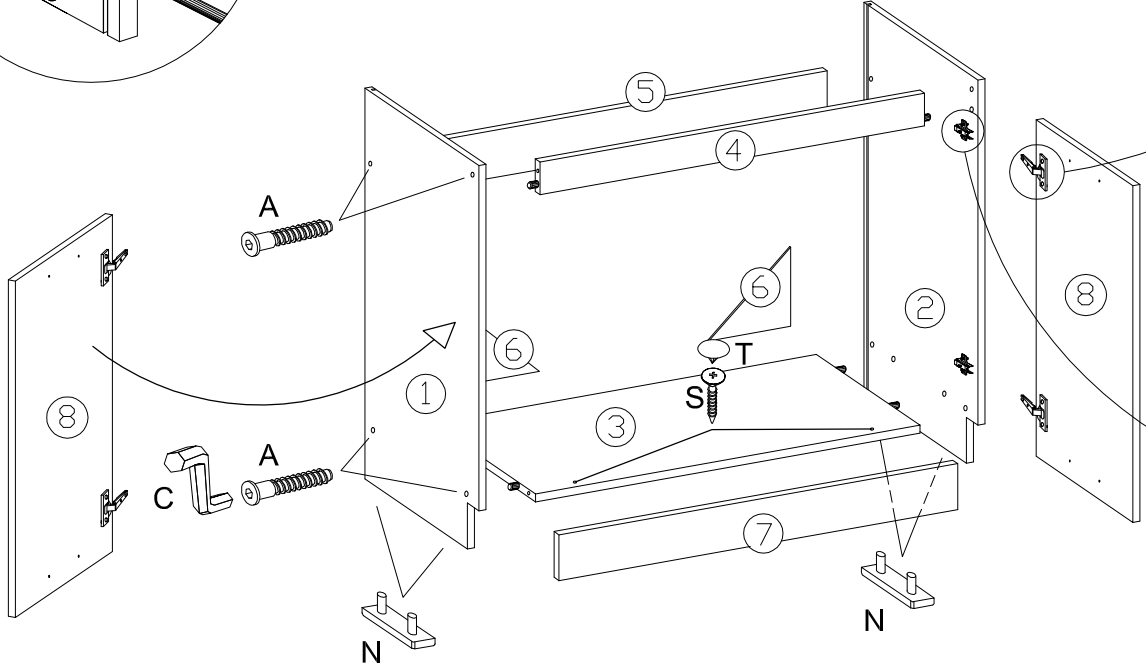
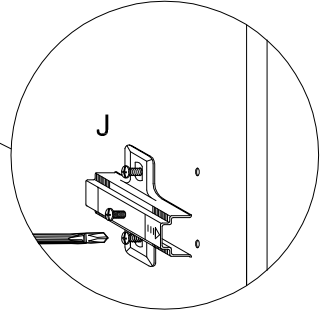
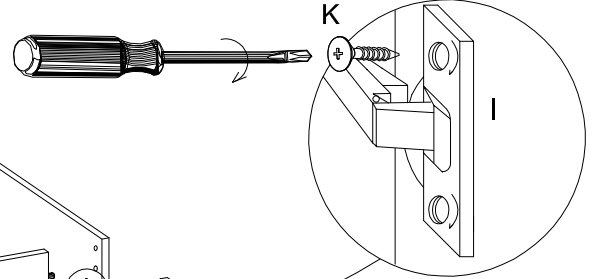
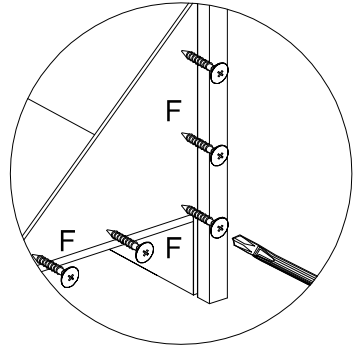
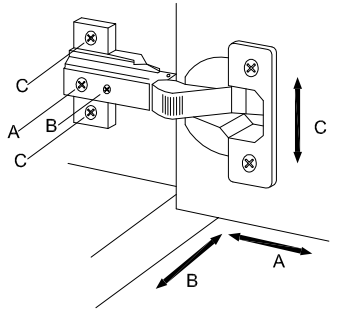
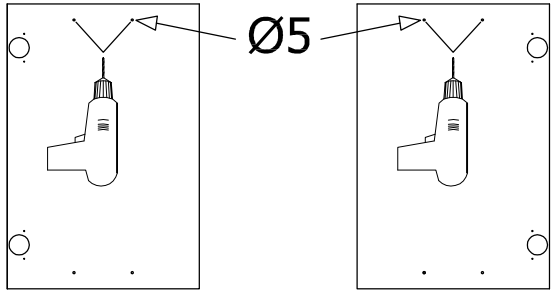
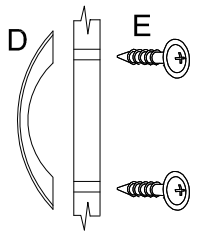
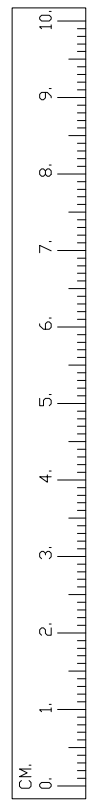
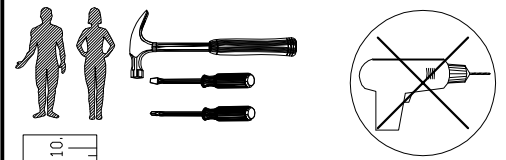
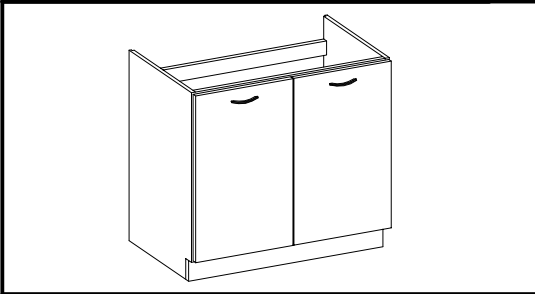
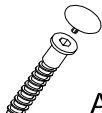

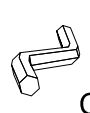




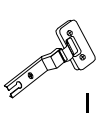
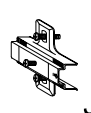

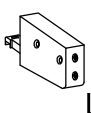

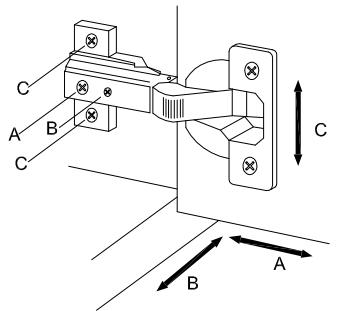
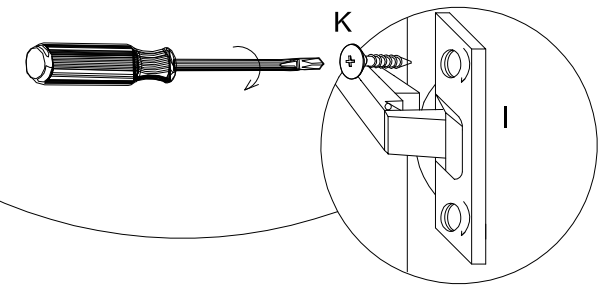
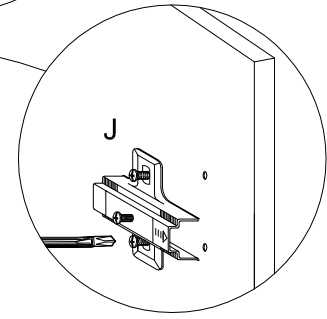
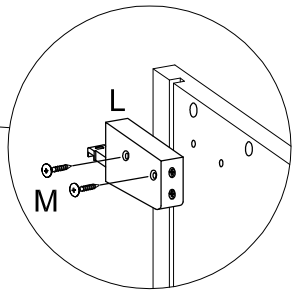
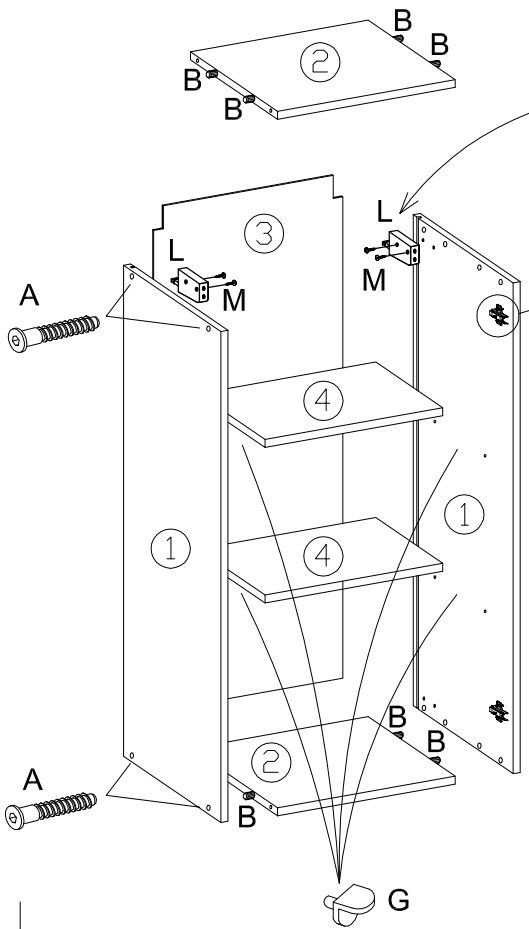
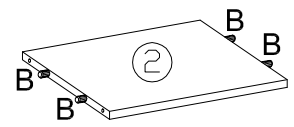
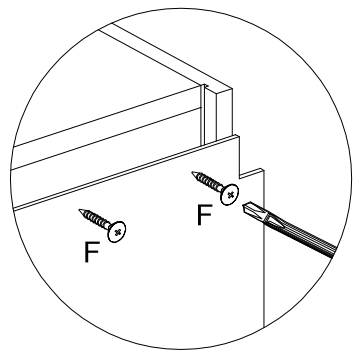
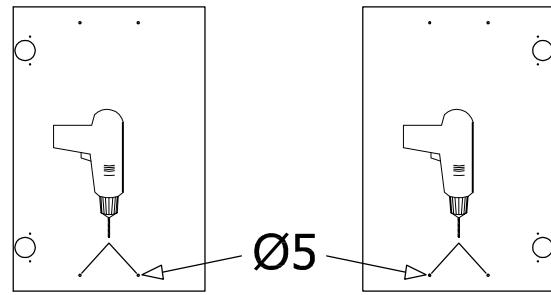
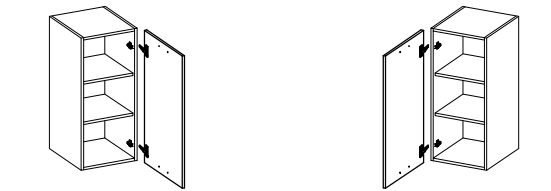
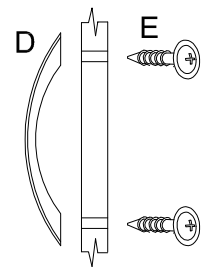
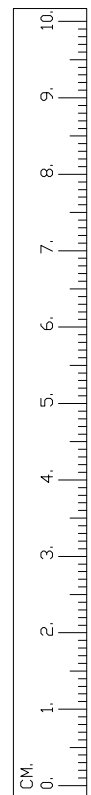
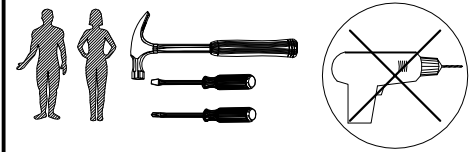
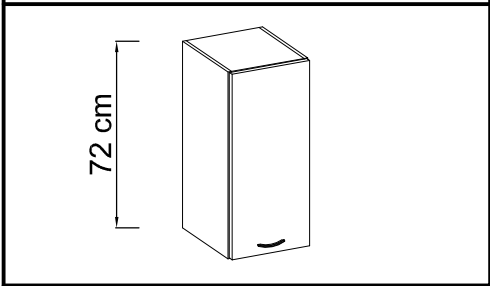
 A	 B	 C	 D	 E	 F	 G	 H	 I	 J	 K	 L
8	26	1	4	8	15-20	24	4	24	4	1	4
 S	 T										
2	2										


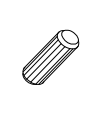
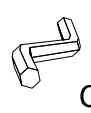



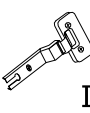
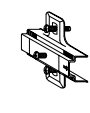

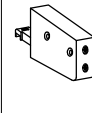


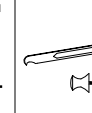


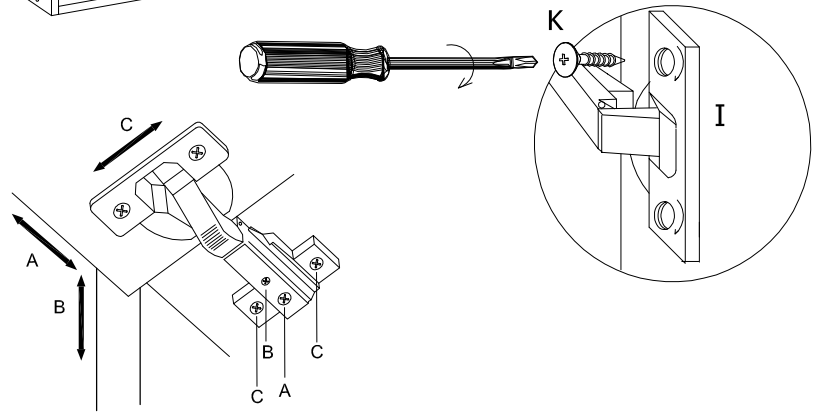
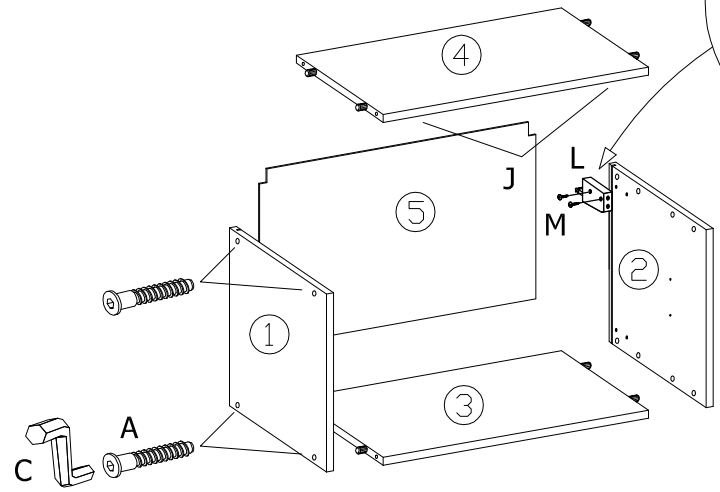
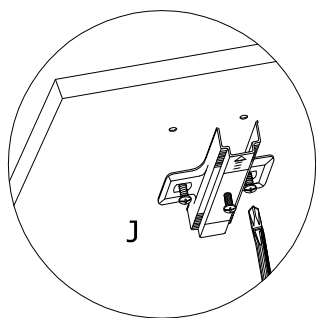
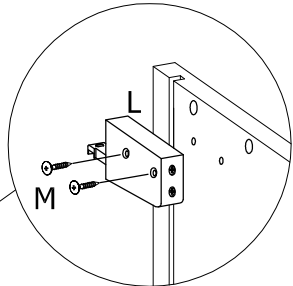
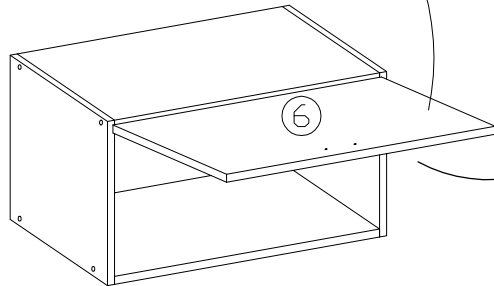
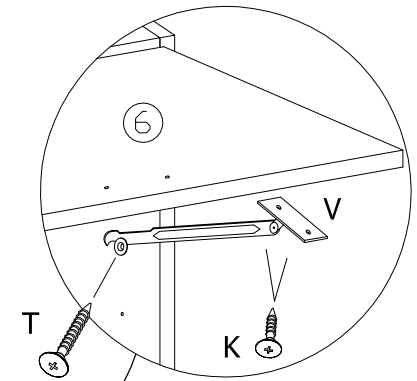
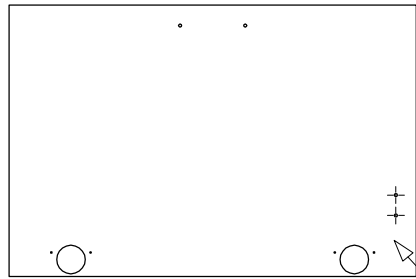
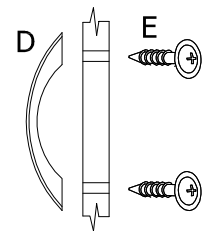
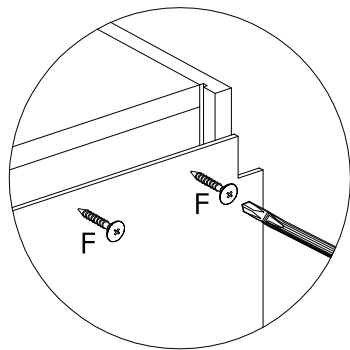
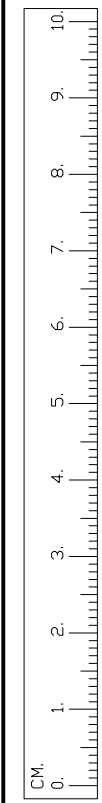
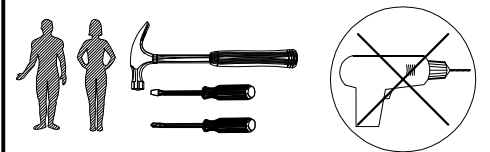
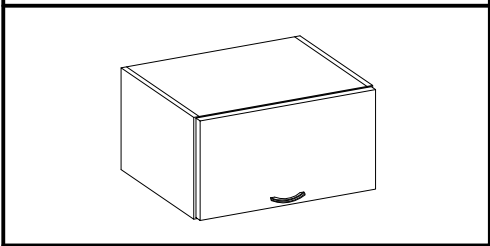
											
8	8	1	2	4	10-15	4	4	8	4	2	2

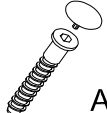
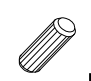






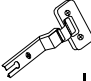
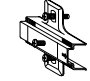

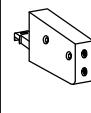



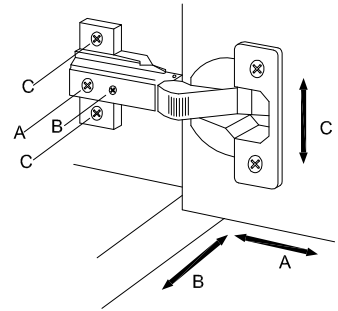
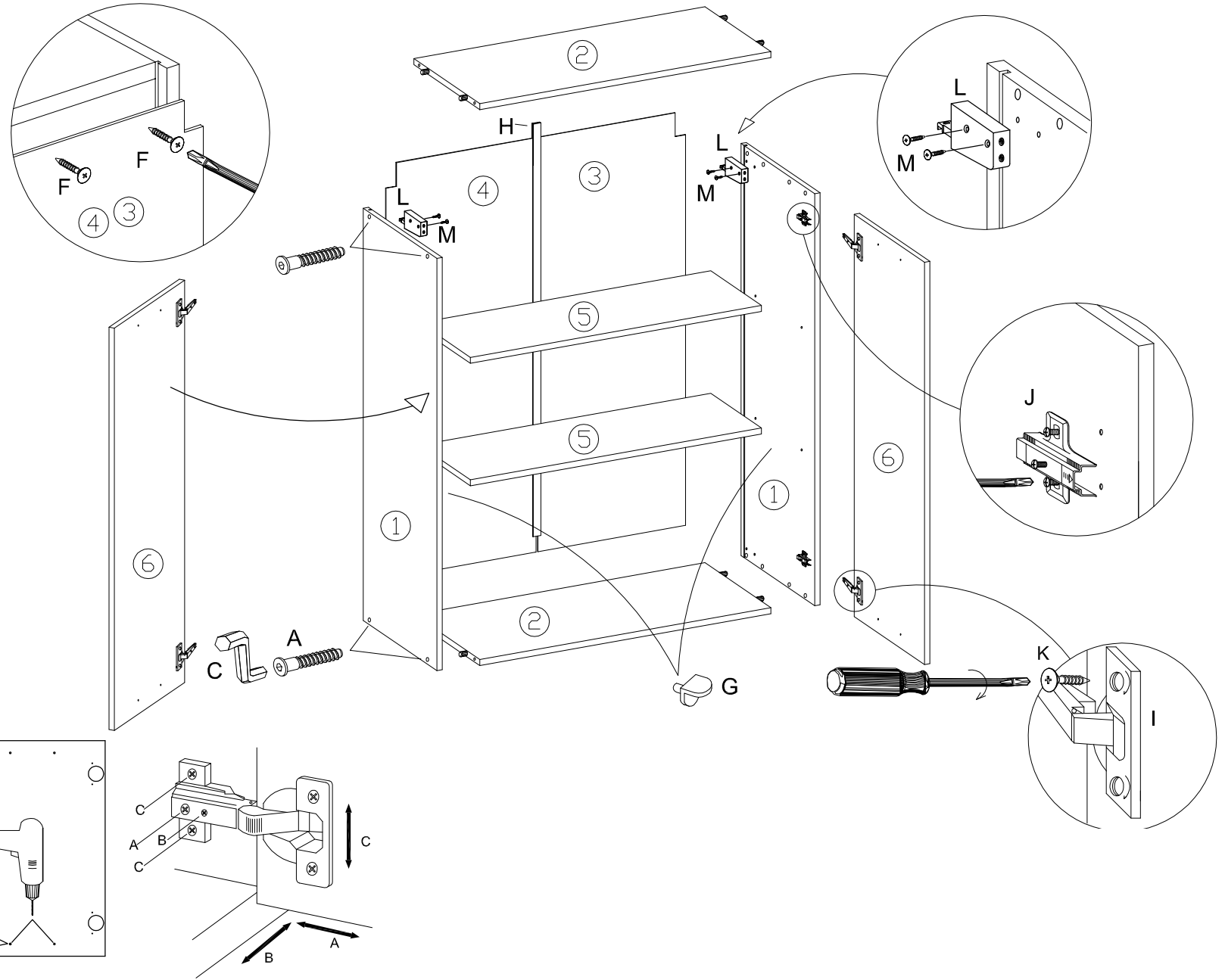
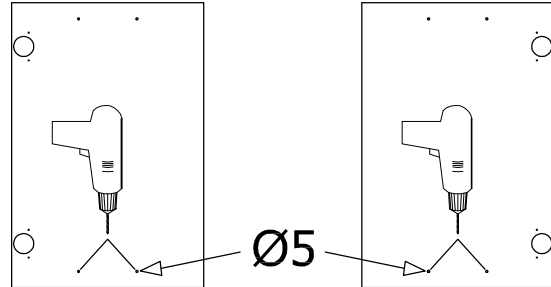
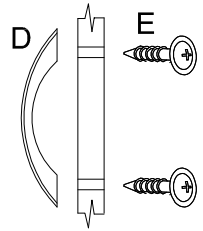
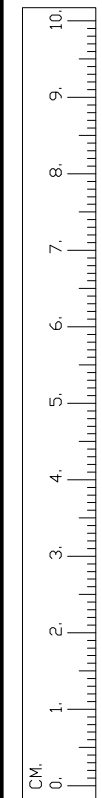
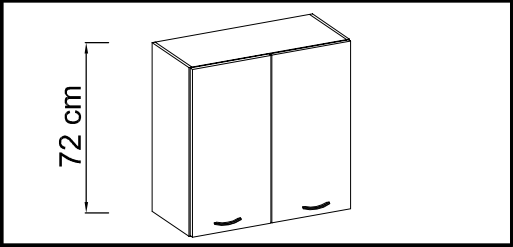
											
8	8	1	1	Ø4.0x30mm 2	Ø3.0x20mm 10-15	8	2	2	Ø3.5x13mm 4	2	Ø4.0x30mm 4

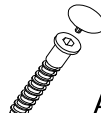
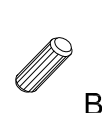



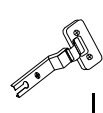
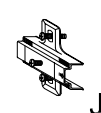
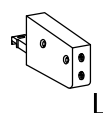


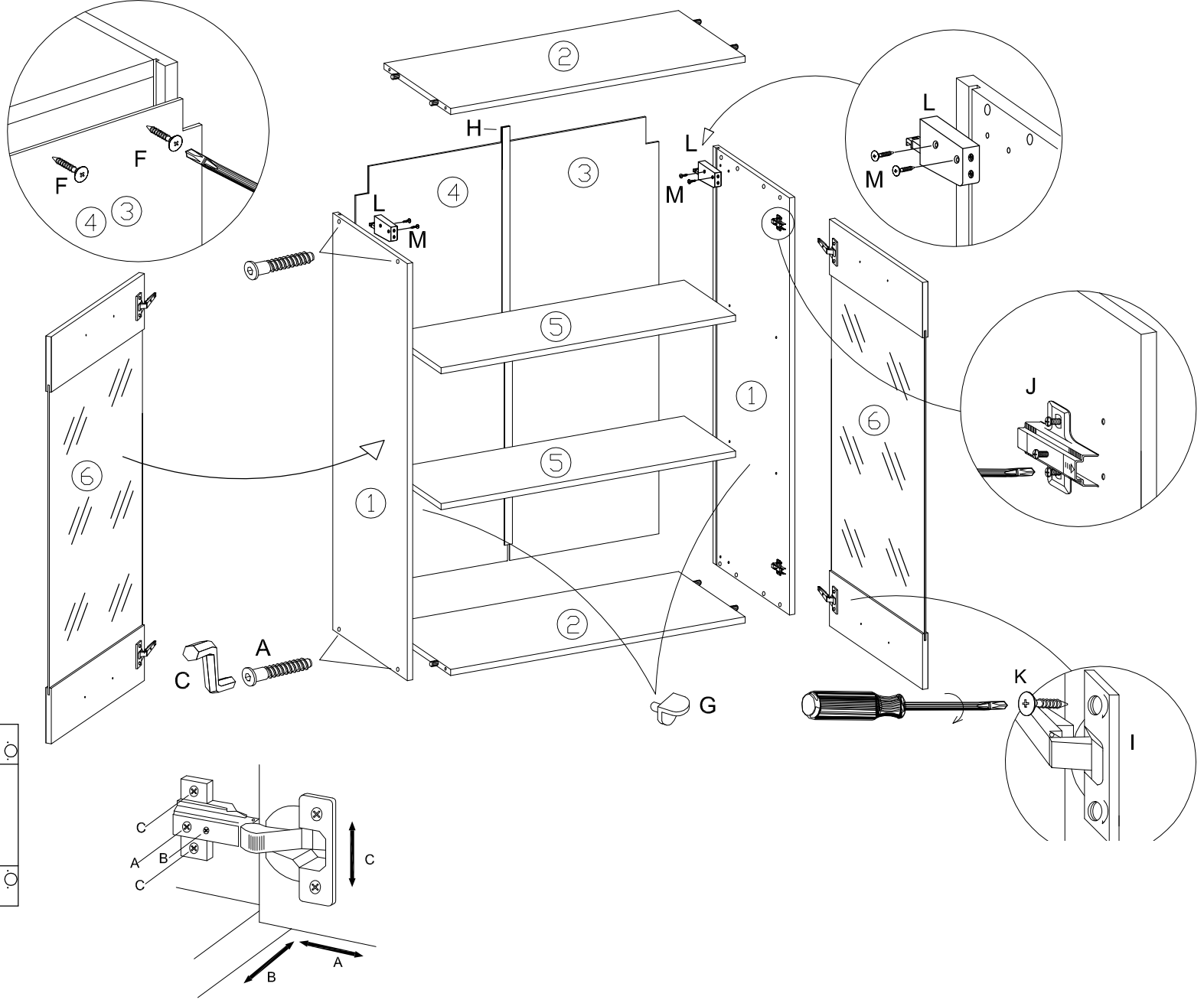
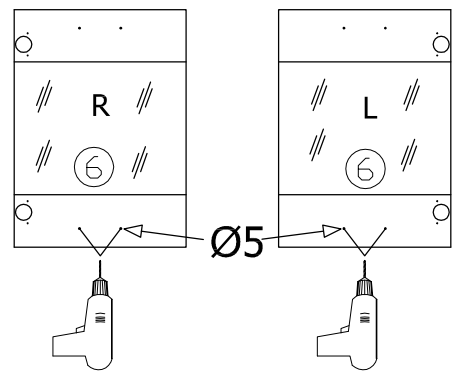
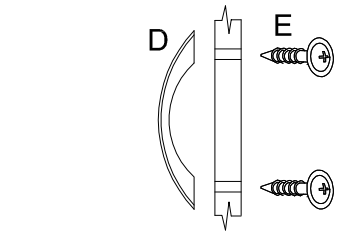
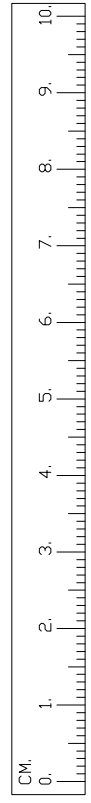
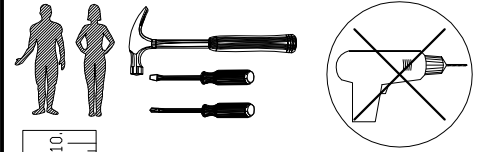
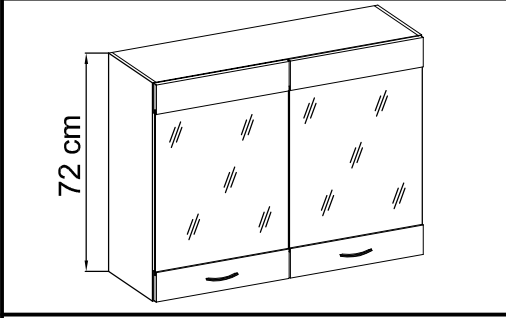
												
A	B	C	D	E	F	I	J	K	L	M	T	V
8	8	1	1	2	10-15	2	2	6	2	4	1	1






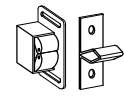
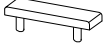




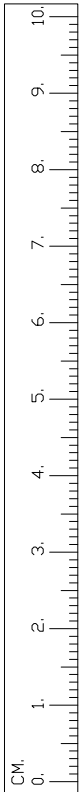
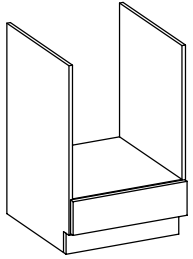
												
A	B	C	D	E	F	G	H	I	J	K	L	M
8	8	1	2	4	10-15	8	1	4	4	8	2	4



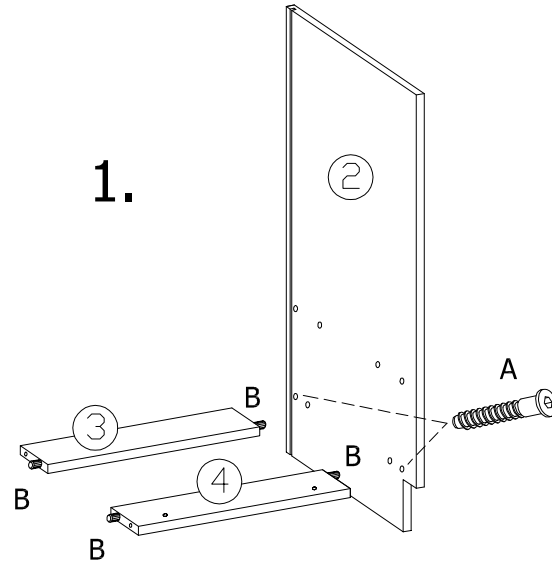
				$\text{Ø}4.0 \times 30\text{mm}$	$\text{Ø}3.0 \times 20\text{mm}$		L=680mm			$\text{Ø}3.5 \times 13\text{mm}$		$\text{Ø}4.0 \times 30\text{mm}$
A	B	C	D	E	F	G	H	I	J	K	L	M
8	8	1	2	4	10-15	8	1	4	4	8	2	4



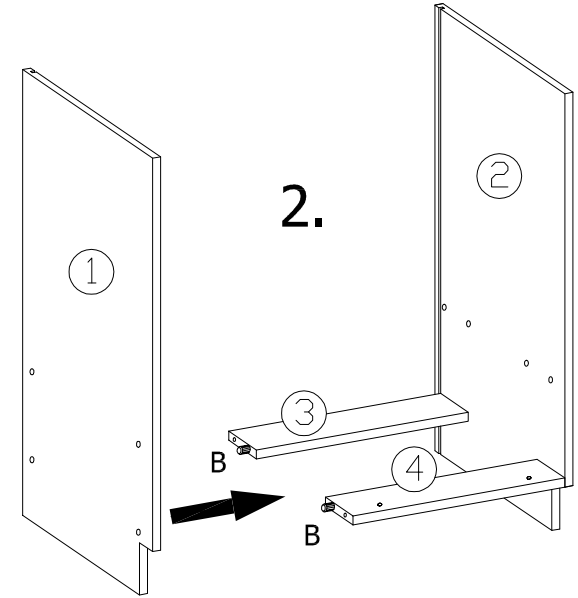
								
A	B	C	D	F	H	J	S	T
8	8	1	8	10-15	2	4	2	2



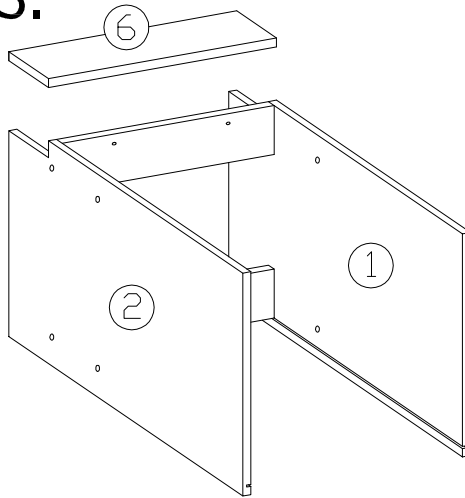
1.



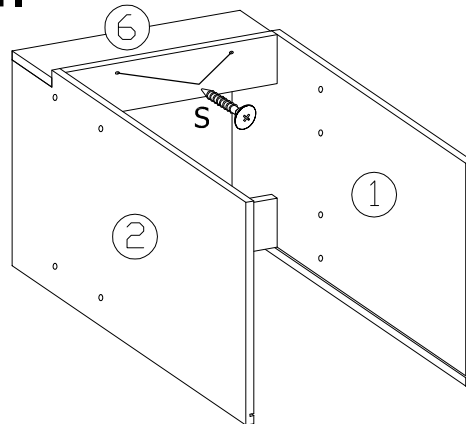
2.



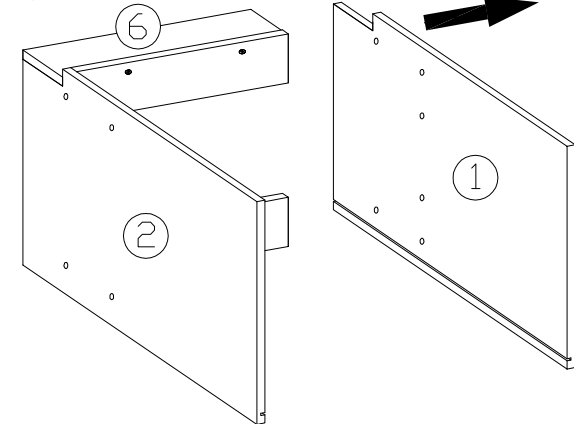
3.

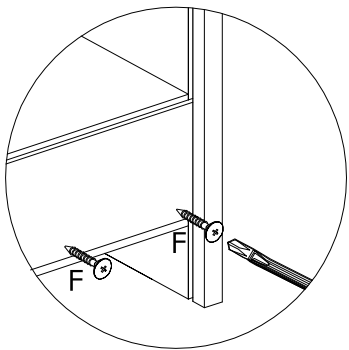
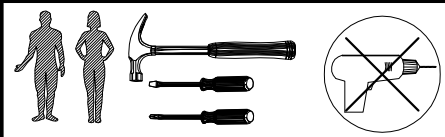
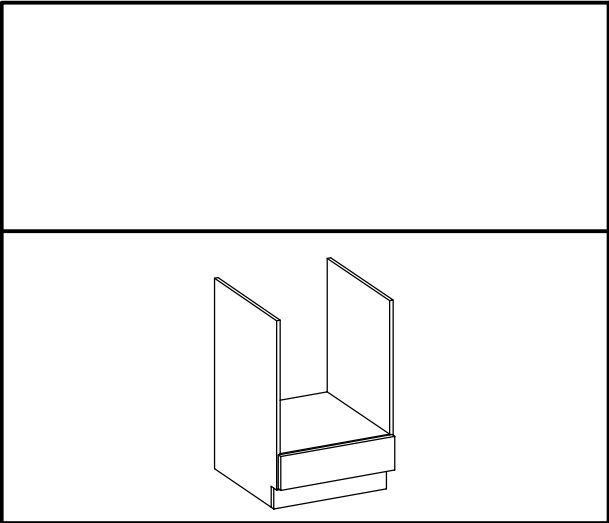


4.

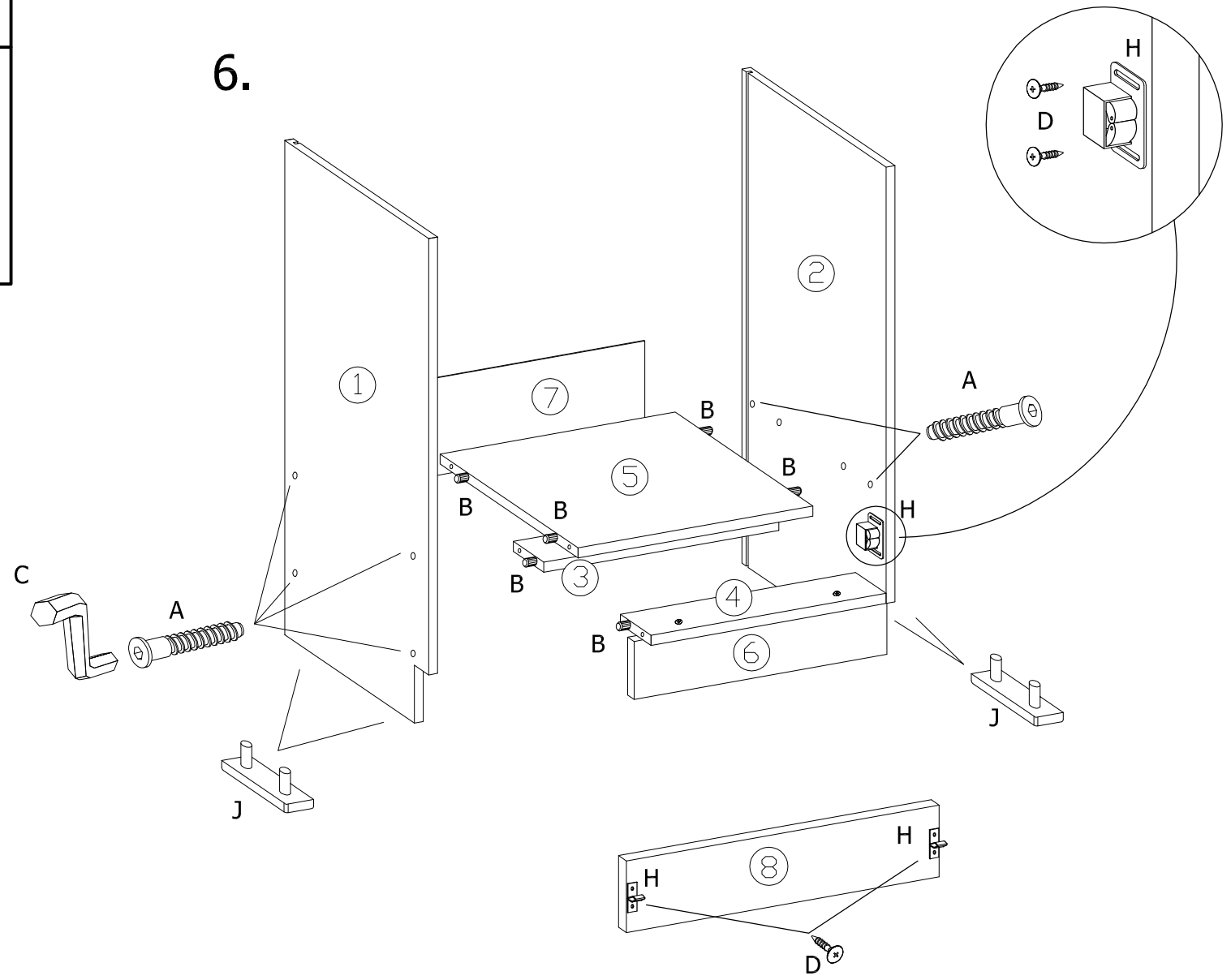


5.



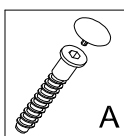
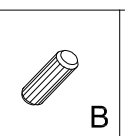
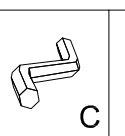
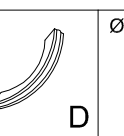
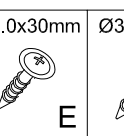
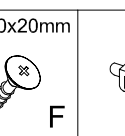
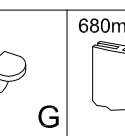
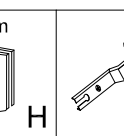
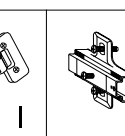
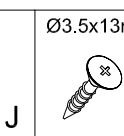
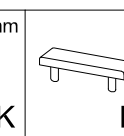
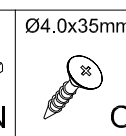
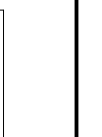
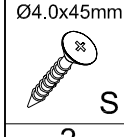
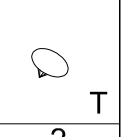


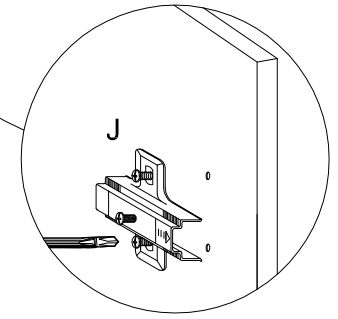
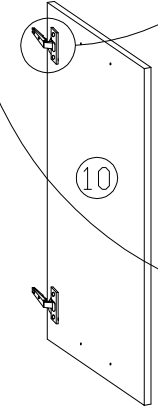
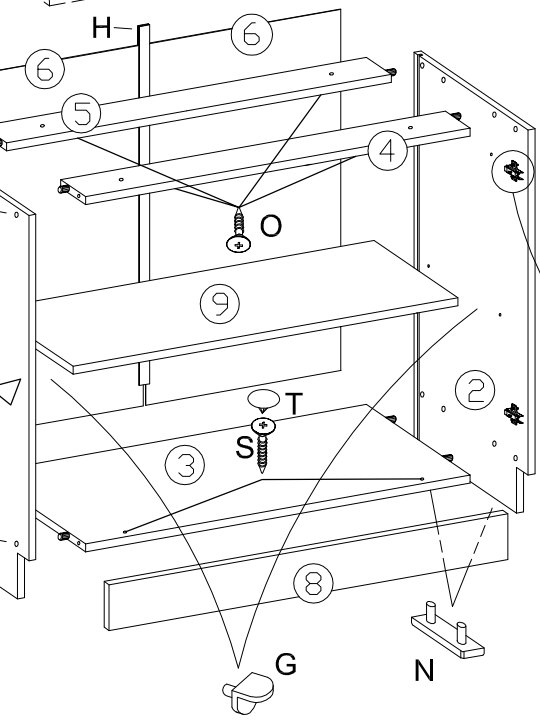
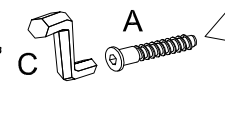
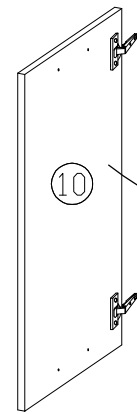
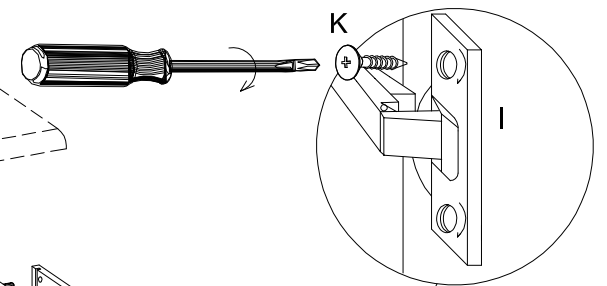
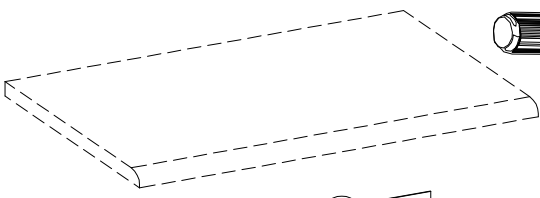
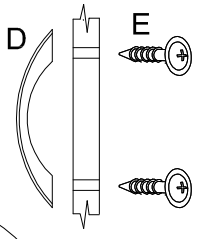
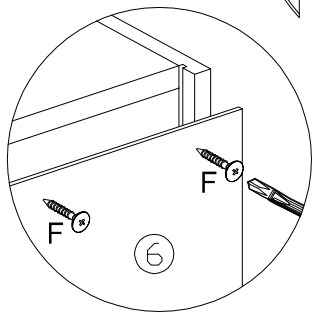
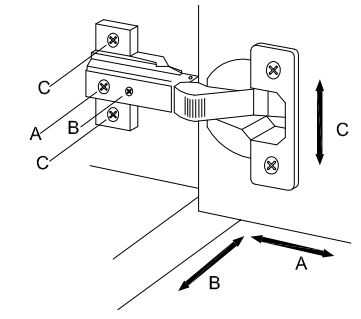
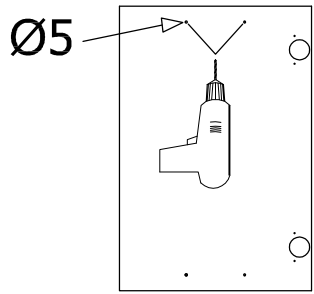
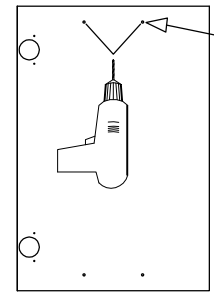
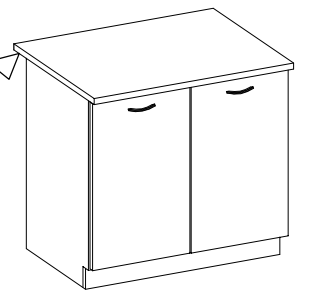
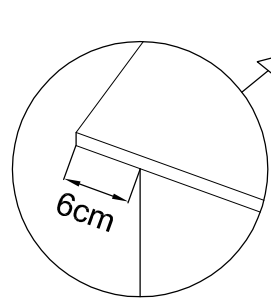
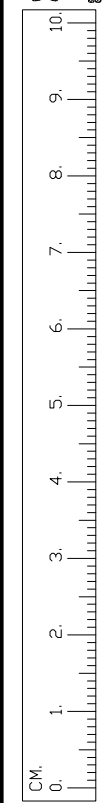
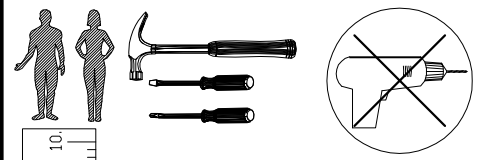
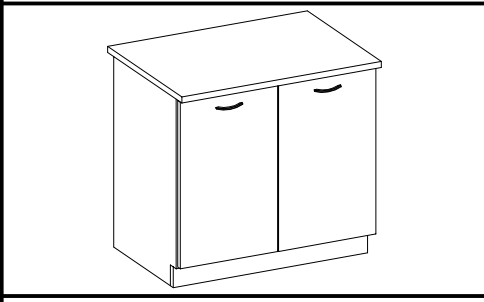
6.



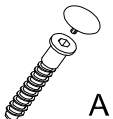
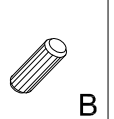
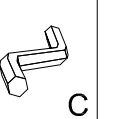
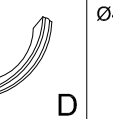
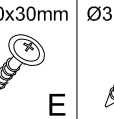
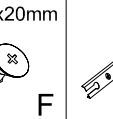
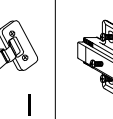
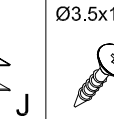
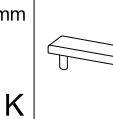
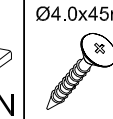




Line 33

 A 8	 B 8	 C 1	 D 2	 E 4	 F 15-20	 G 4	 H 1	 I 4	 J 4	 K 8	 N 4	 O 4
 S 2	 T 2											



We regret to inform you, that in line compliance, please give no paper and no missing and open items.

											
8	8	1	2	4	10-15	4	4	8	4	2	2

