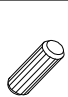






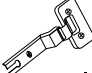






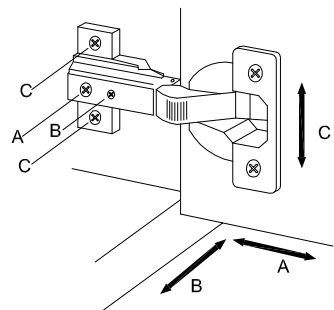
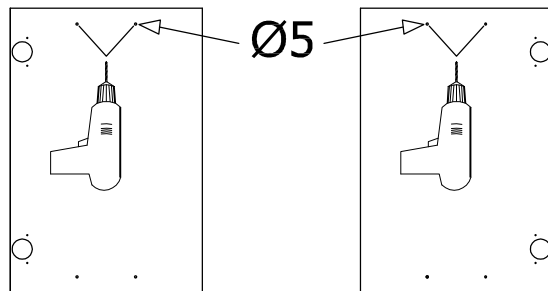
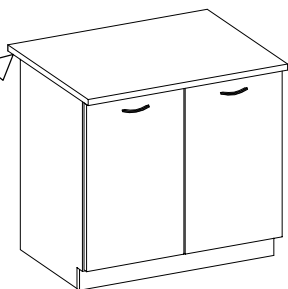
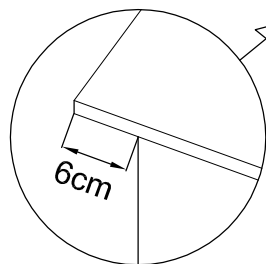
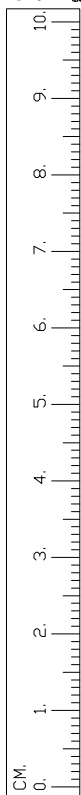
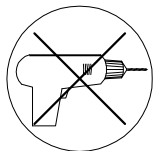
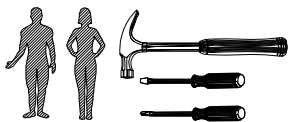
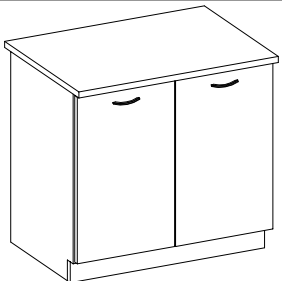
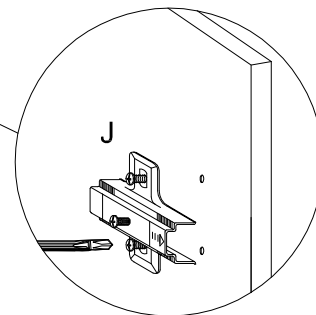
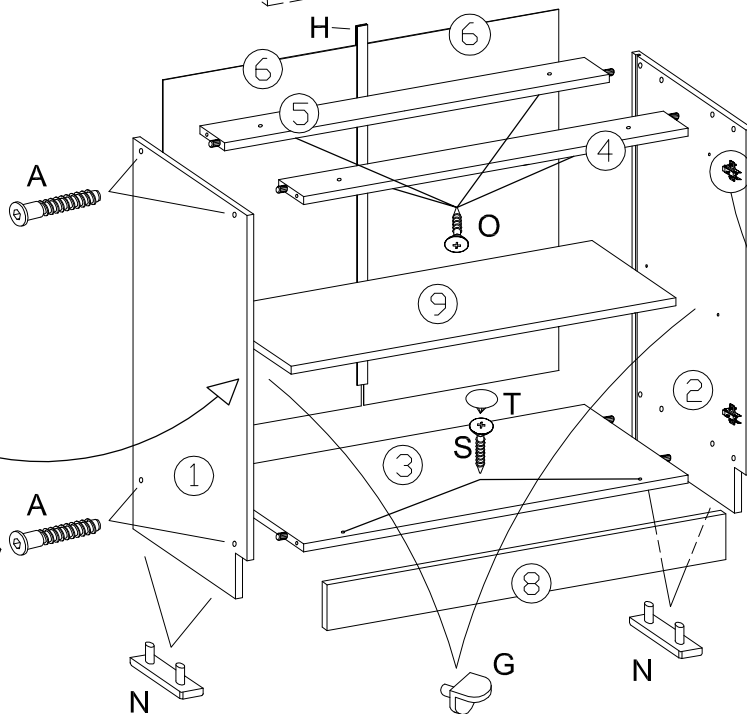
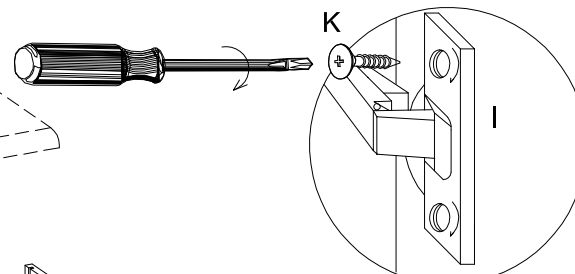
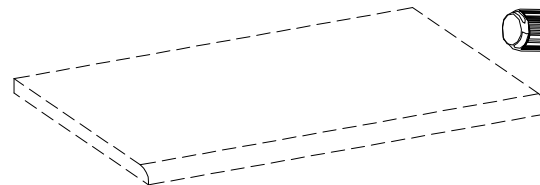
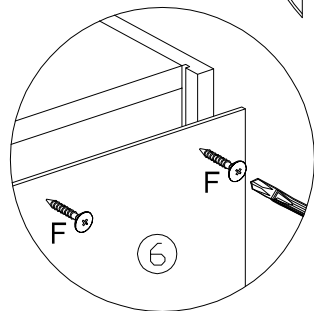
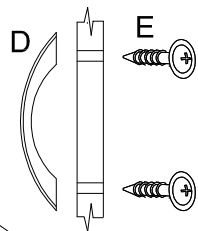
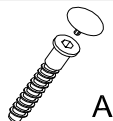
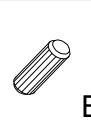
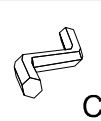

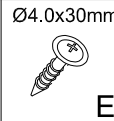

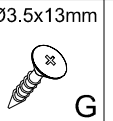
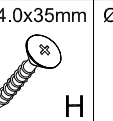
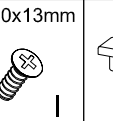
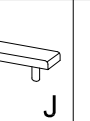

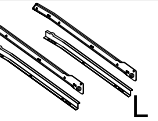


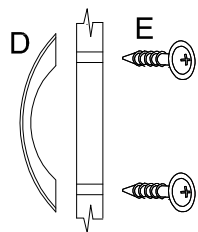
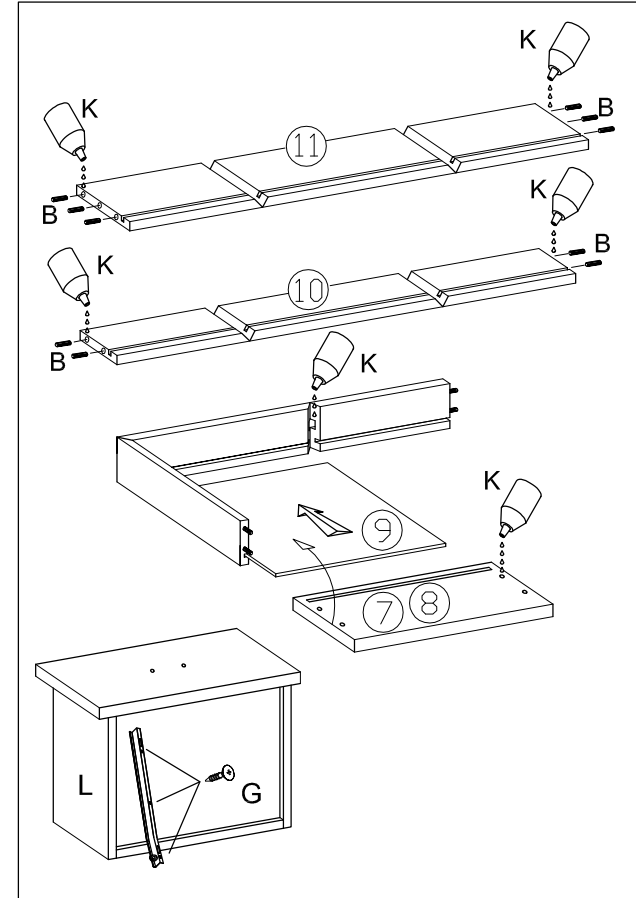
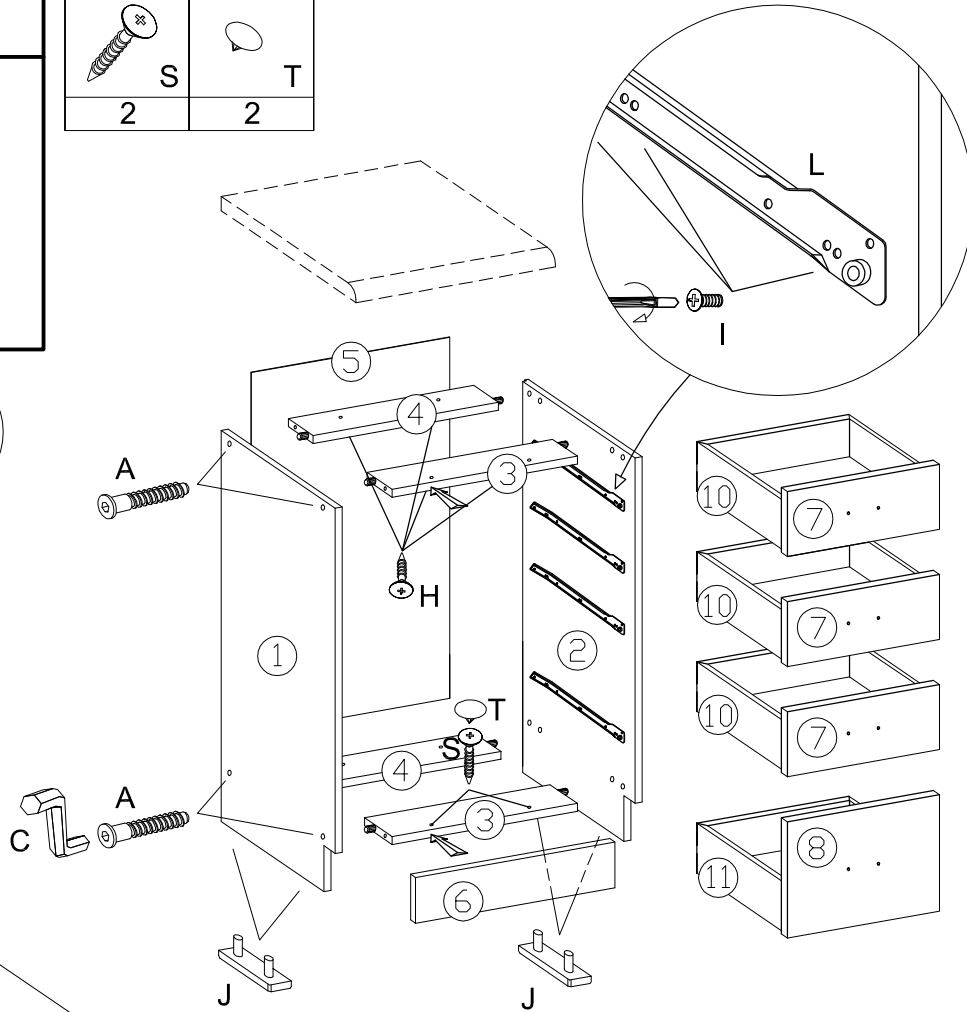
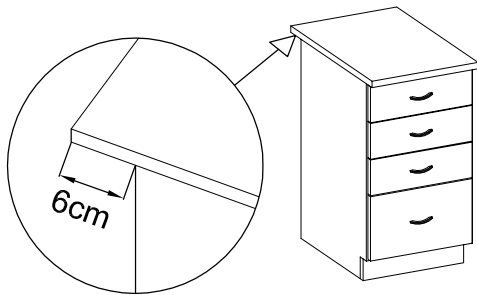
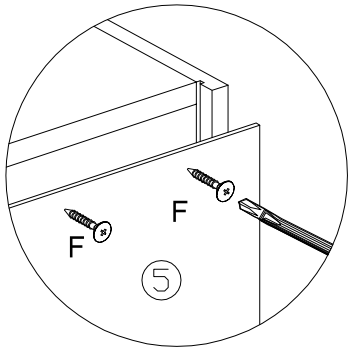
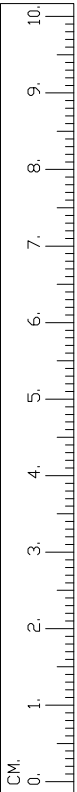
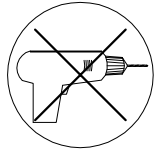
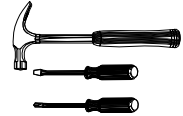
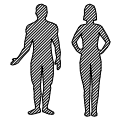
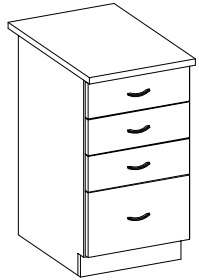
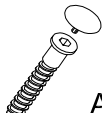

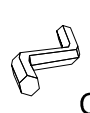




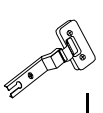
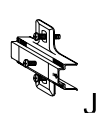

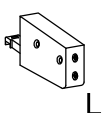

 A	 B	 C	 D	 E	 F	 G	 H	 I	 J	 K	 N	 O
8	8	1	2	4	15-20	4	1	4	4	8	4	4

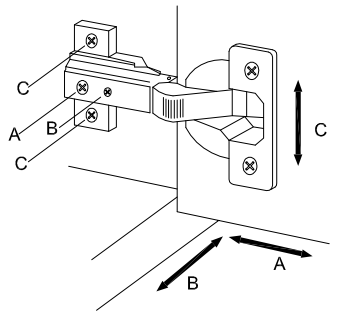
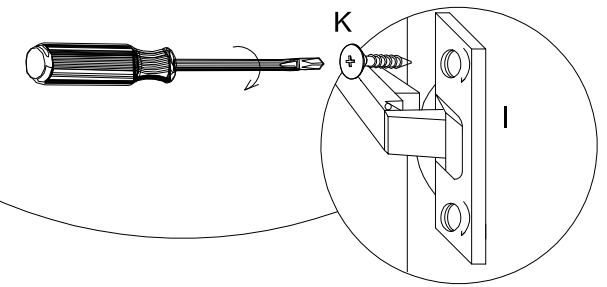
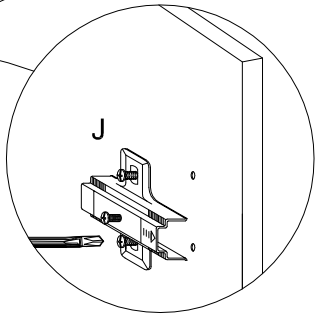
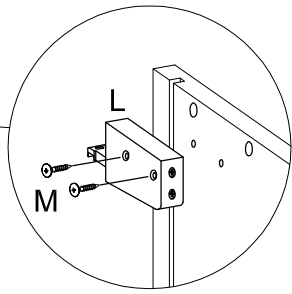
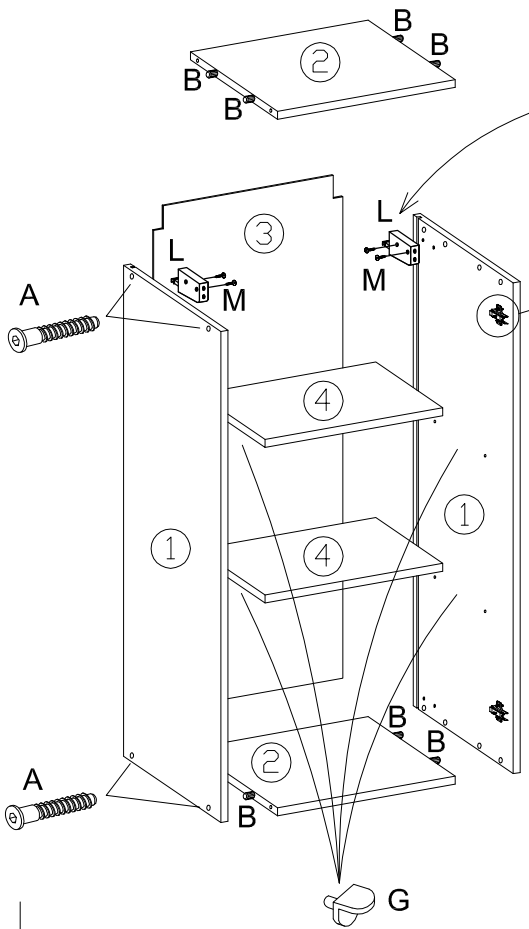
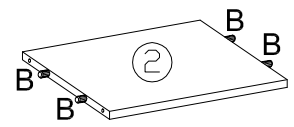
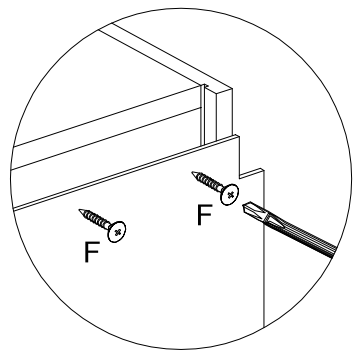
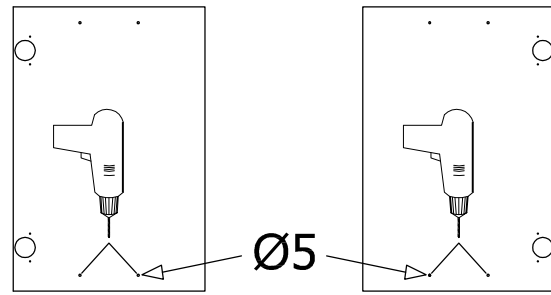
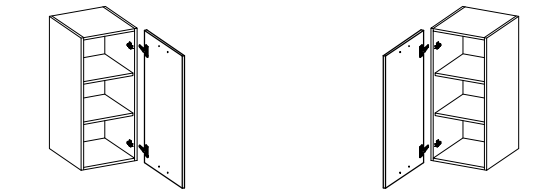
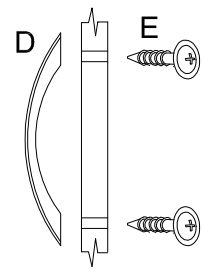
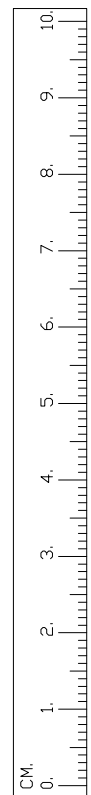
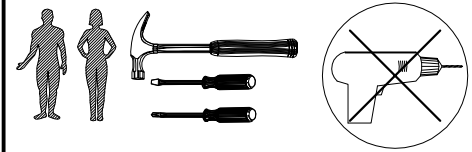
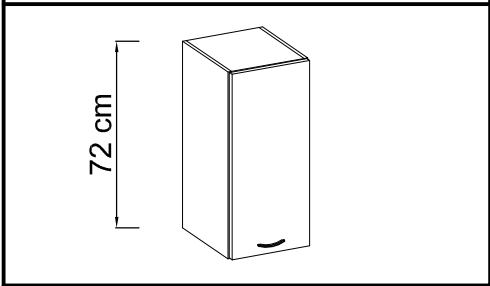
 S	 T
2	2

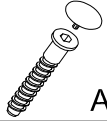
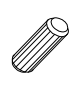
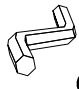





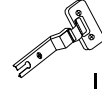
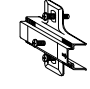

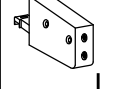



 A	 B	 C	 D	 E	 F	 G	 H	 I	 J	 K	 L
8	26	1	4	8	15-20	24	4	24	4	1	4
 S	 T										
2	2										

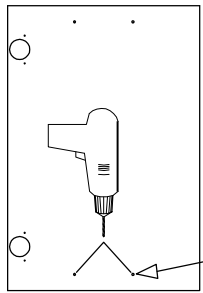
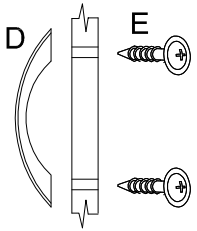
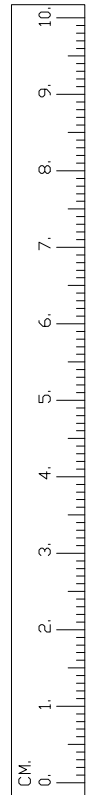
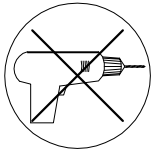
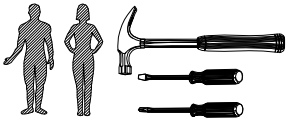
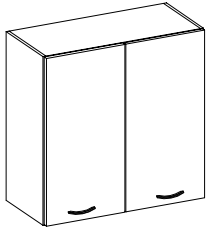


											
8	8	1	1	Ø4.0x30mm 2	Ø3.0x20mm 10-15	8	2	2	Ø3.5x13mm 4	2	Ø4.0x30mm 4

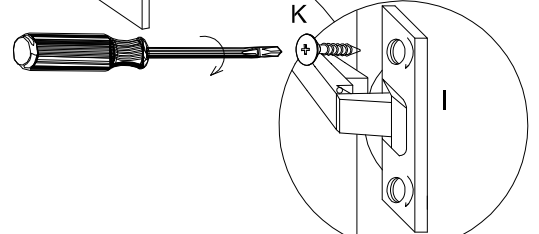
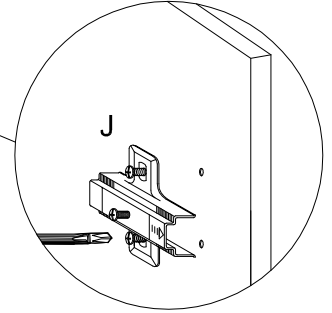
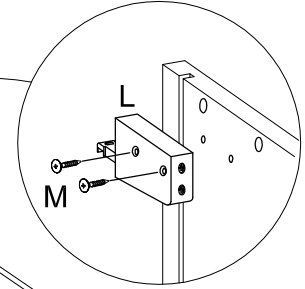
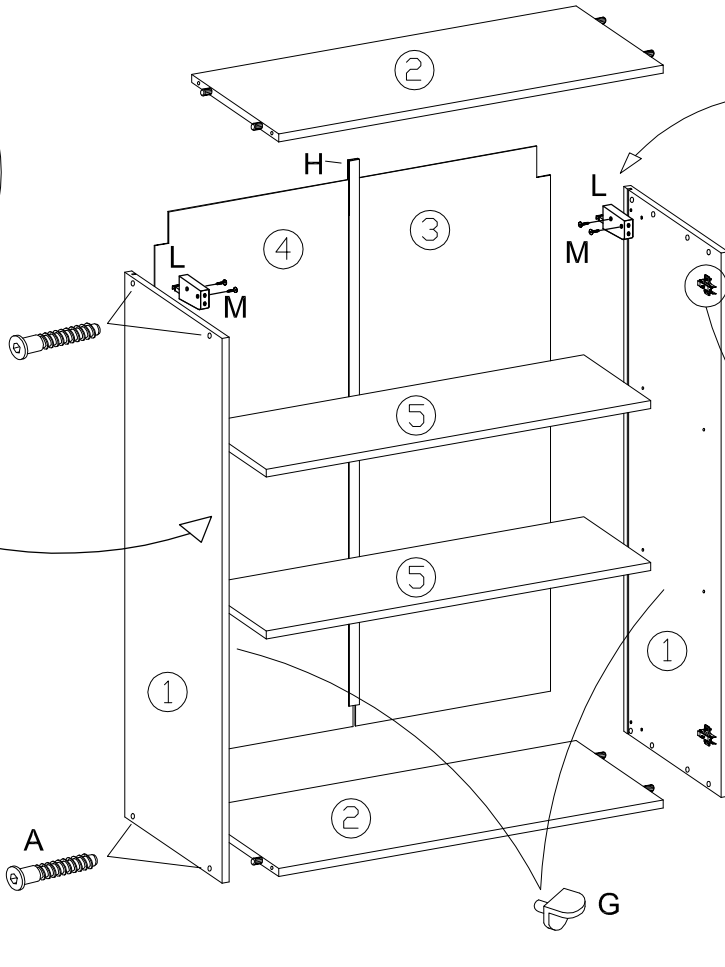
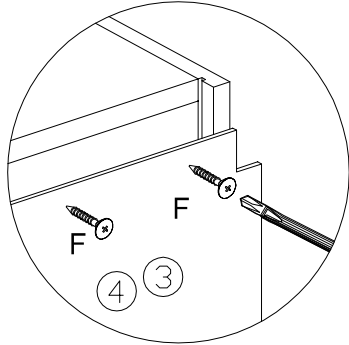
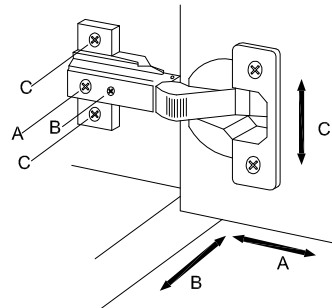
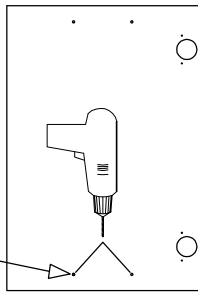


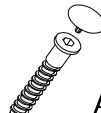
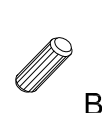



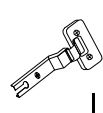
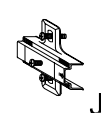
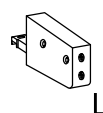
												
8	8	1	2	4	10-15	8	1	4	4	8	2	4

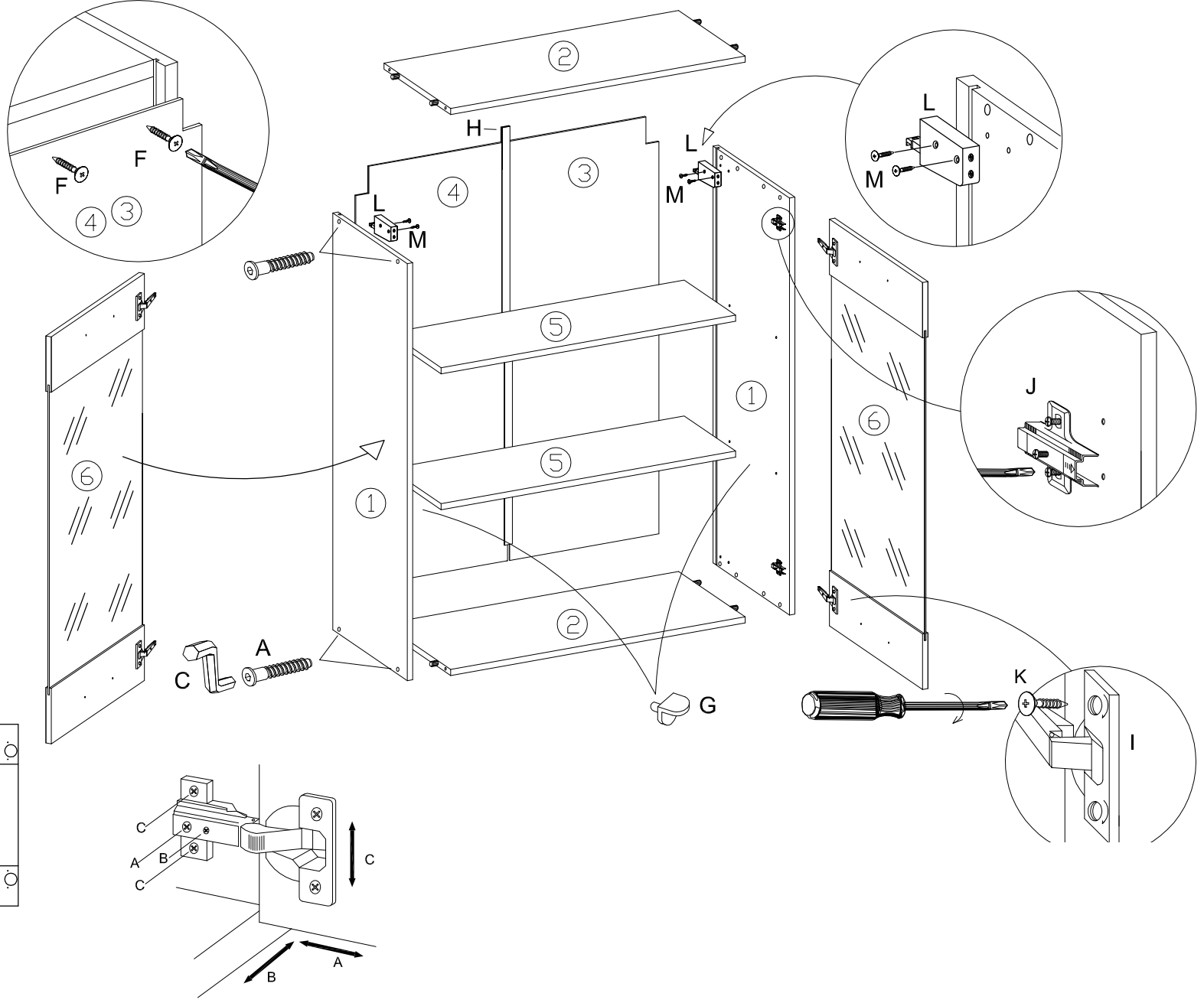
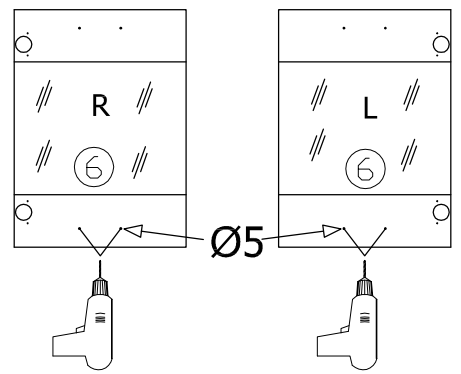
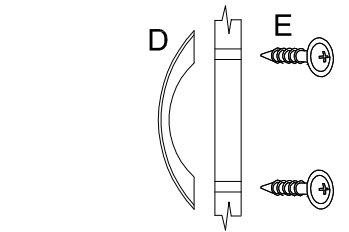
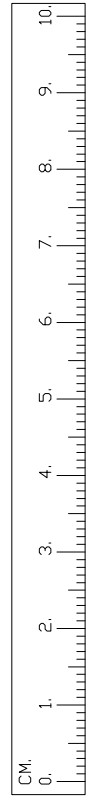
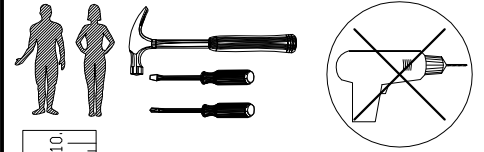
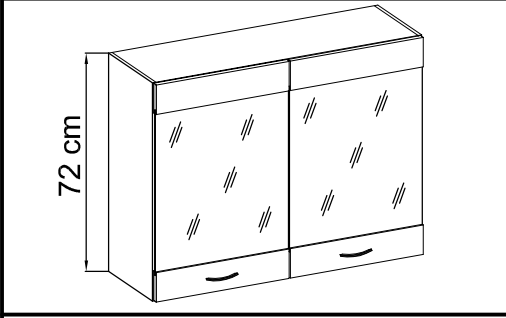
72 cm

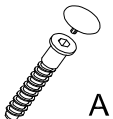
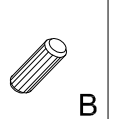
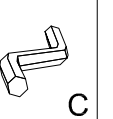
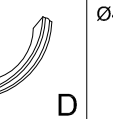
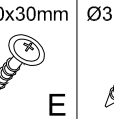
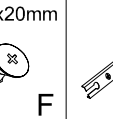
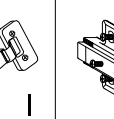
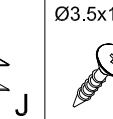
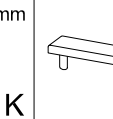
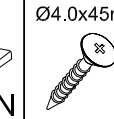
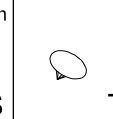



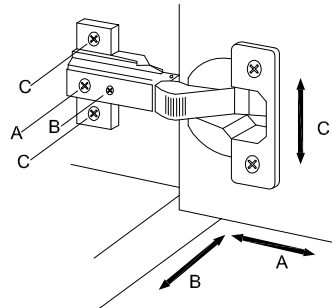
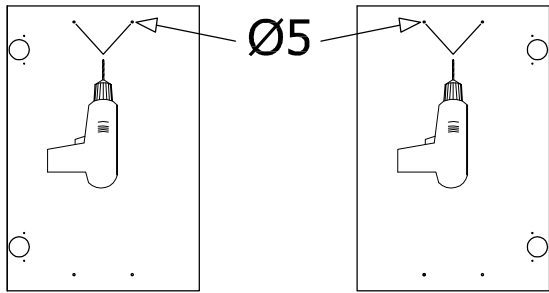
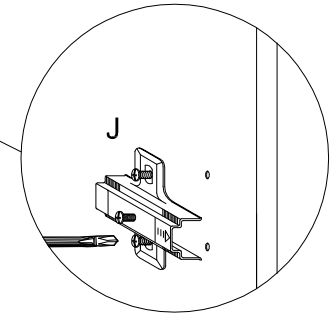
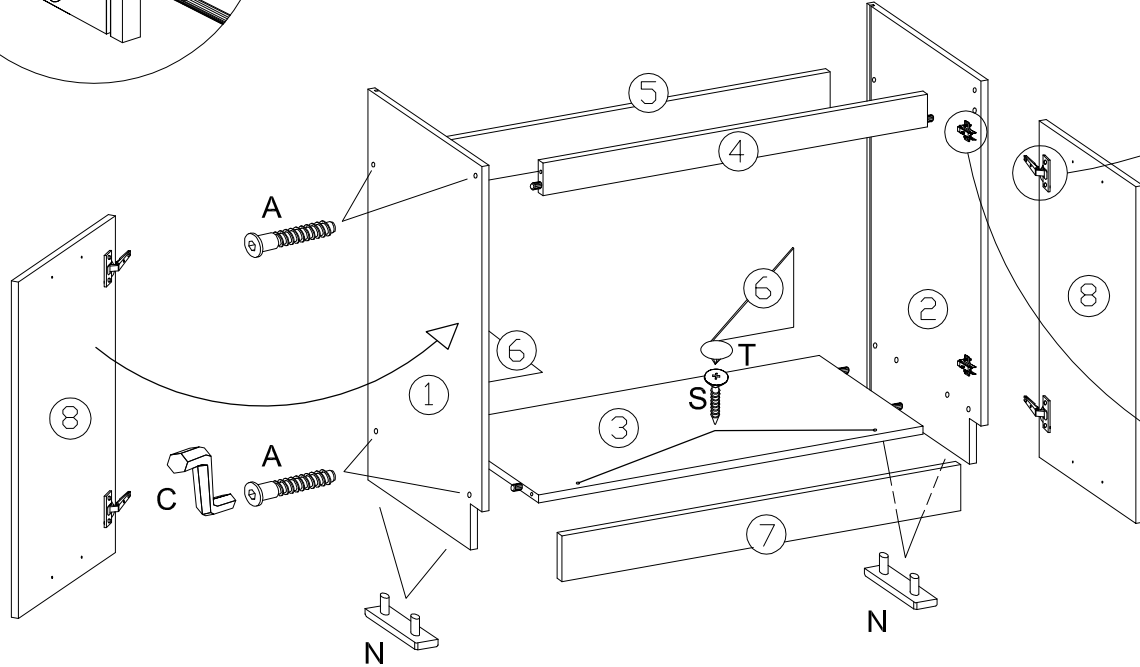
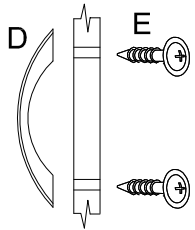
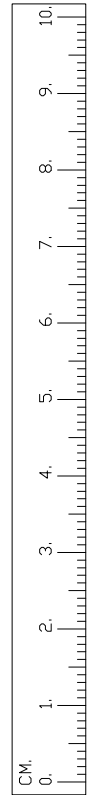
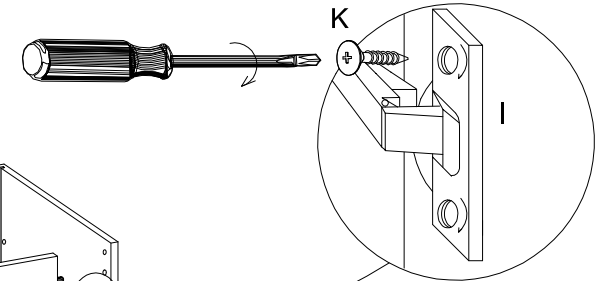
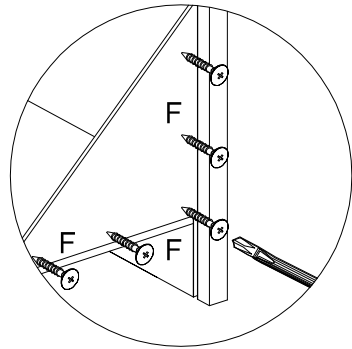
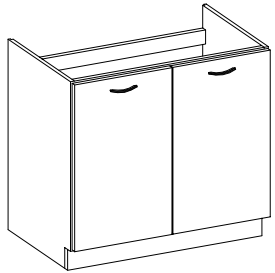
Ø5



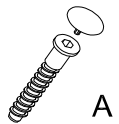
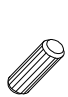





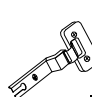
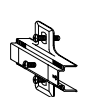

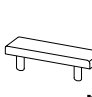
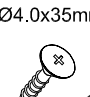
				Ø4.0x30mm	Ø3.0x20mm		L=680mm			Ø3.5x13mm		Ø4.0x30mm
A	B	C	D	E	F	G	H	I	J	K	L	M
8	8	1	2	4	10-15	8	1	4	4	8	2	4





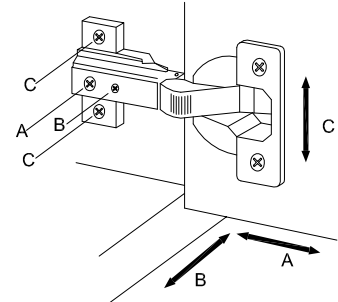
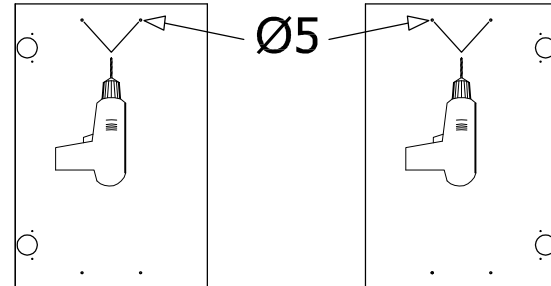
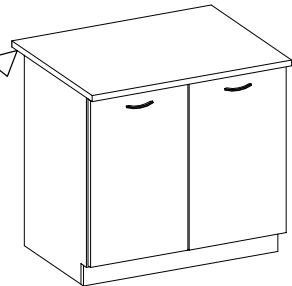
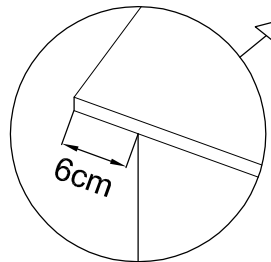
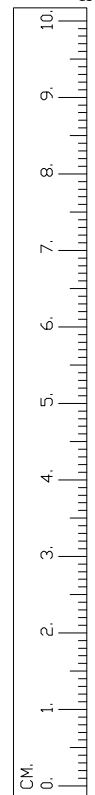
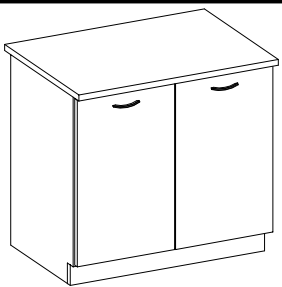
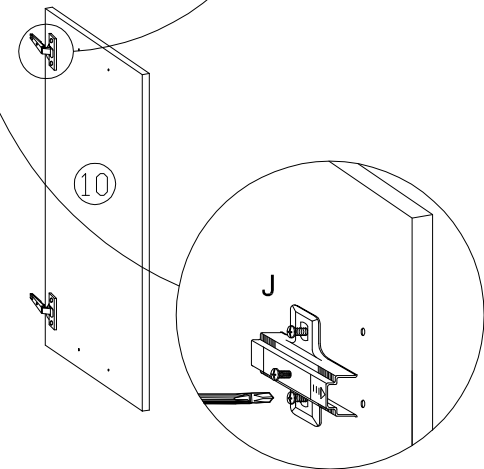
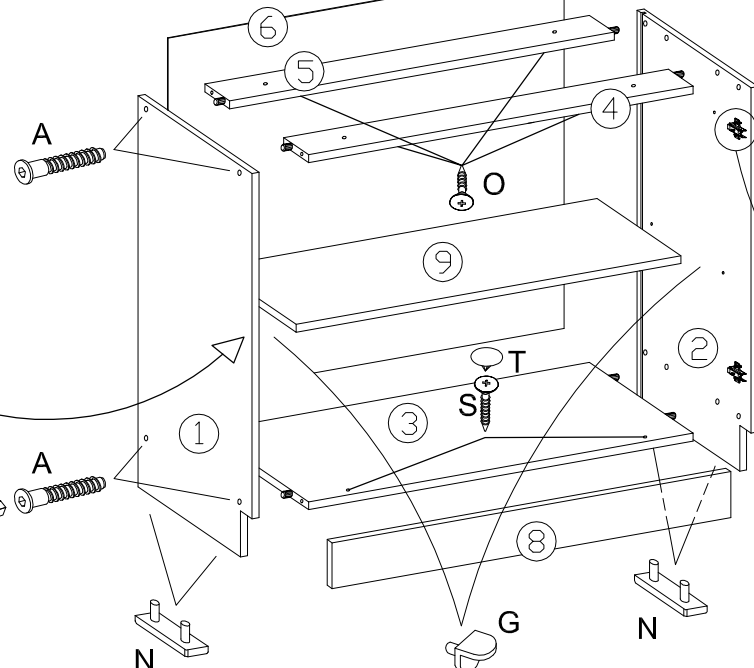
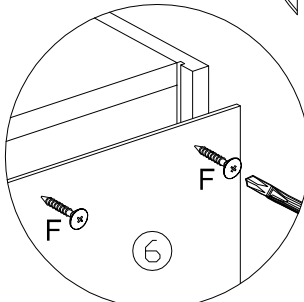
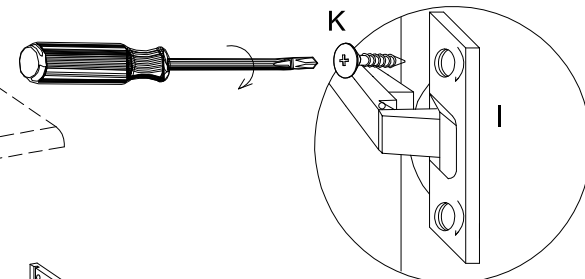
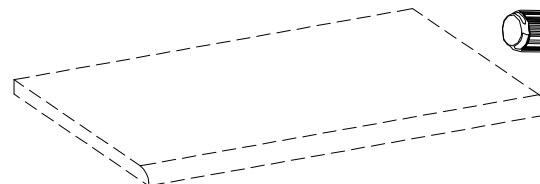
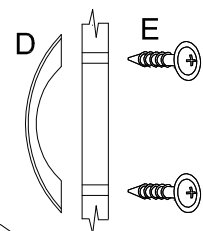
											
8	8	1	2	4	10-15	4	4	8	4	2	2



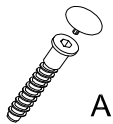
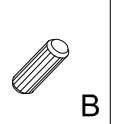
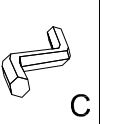
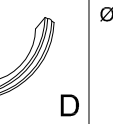
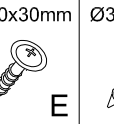
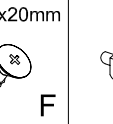
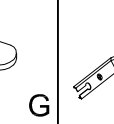
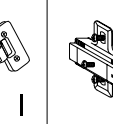
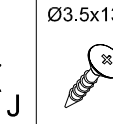
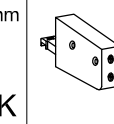
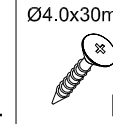
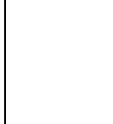
We regret to inform you, that in time complaint process give no packer and no missing and open elements.

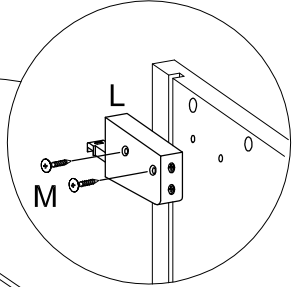
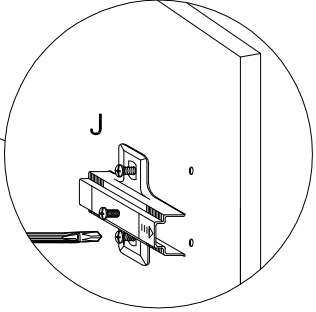
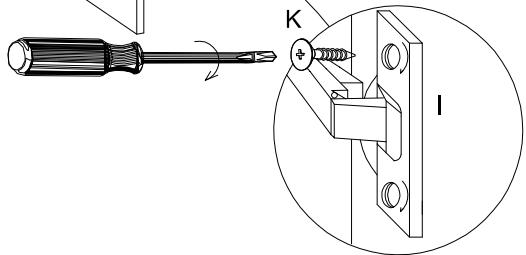
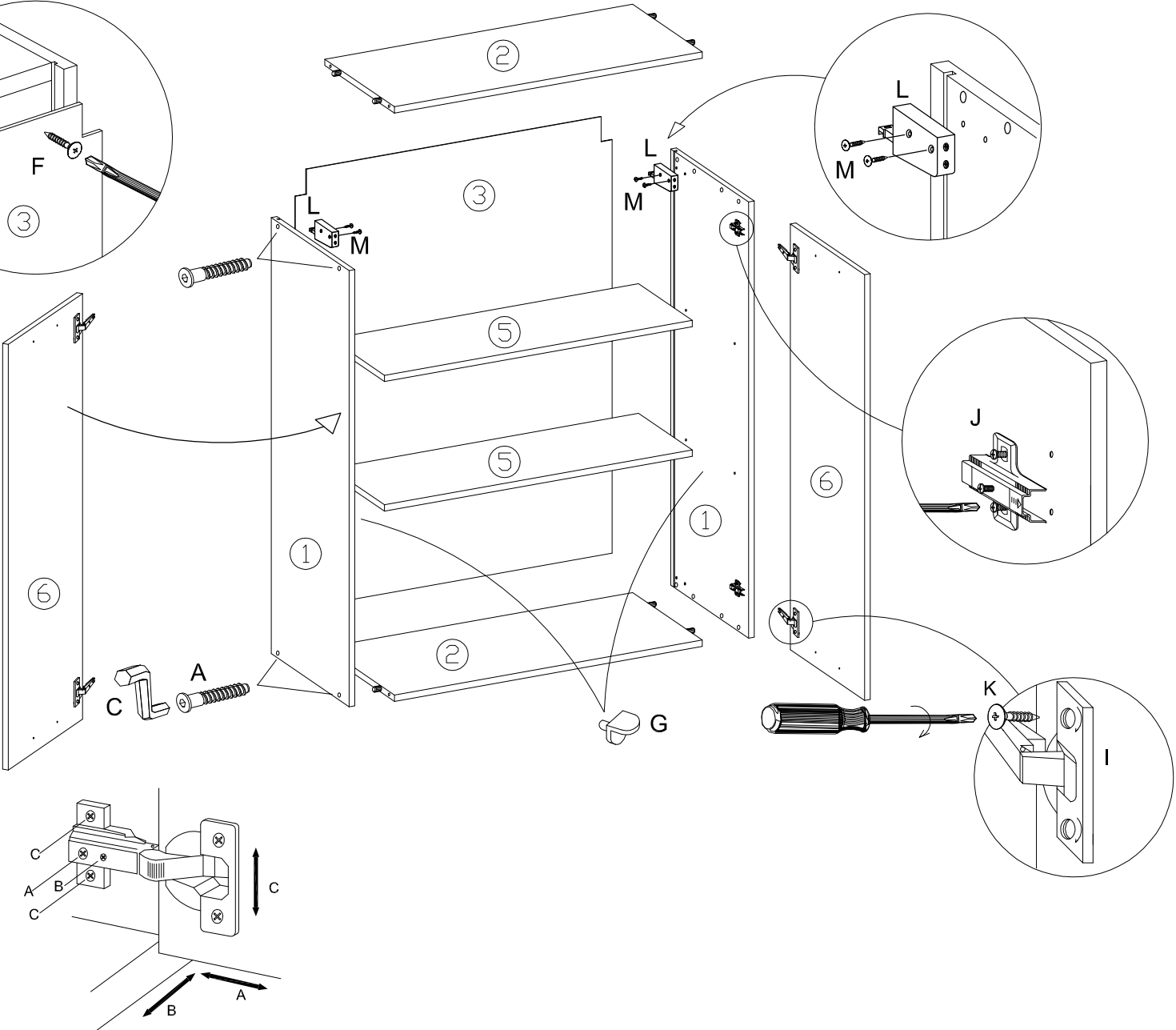
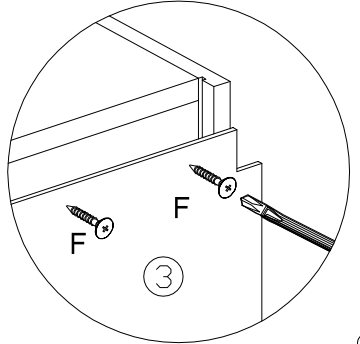
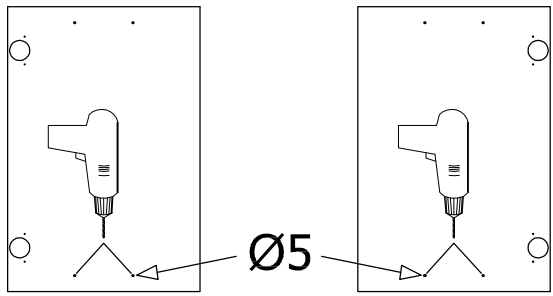
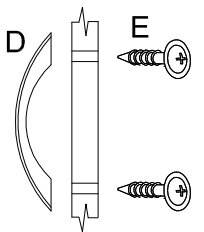
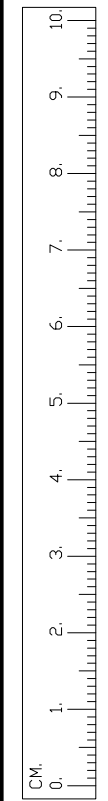
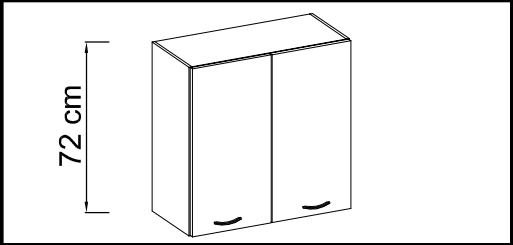
 A	 B	 C	 D	 E	 F	 G	 I	 J	 K	 N	 O
8	8	1	2	4	15-20	4	4	4	8	4	4

 S	 T
2	2



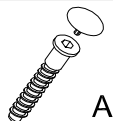
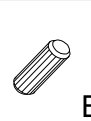
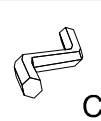

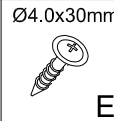

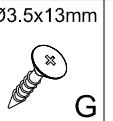
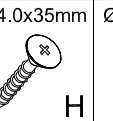
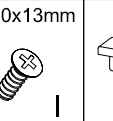
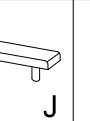

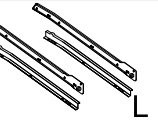
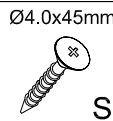
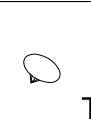
We regret to inform you, that in time complaint please give no packer and no missing and spoil element.

											
A	B	C	D	E	F	G	I	J	K	L	M
8	8	1	2	4	10-15	8	4	4	8	2	4



We regret to meet your dissatisfaction and complaint, please give us feedback and we will send you a replacement.



 A	 B	 C	 D	 E	 F	 G	 H	 I	 J	 K	 L
8	26	1	4	8	15-20	24	4	24	4	1	4
 S	 T										
2	2										

