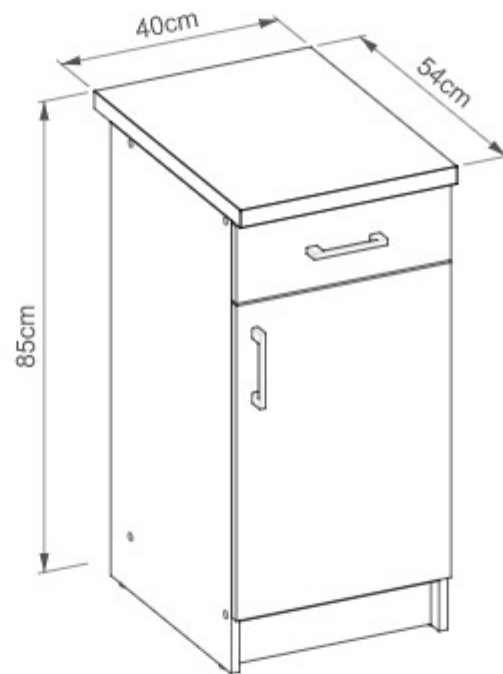
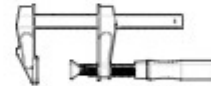


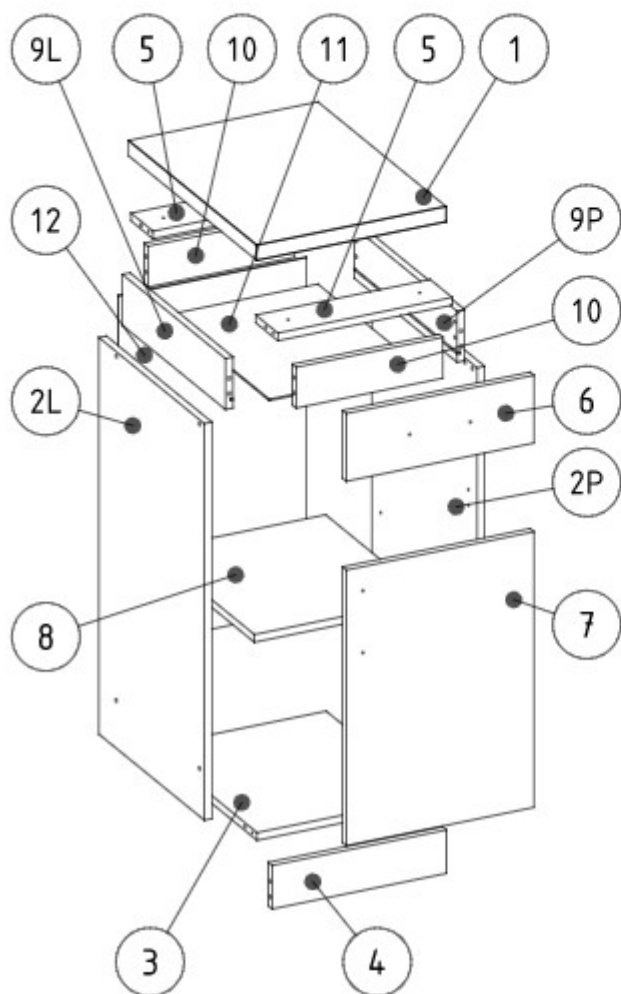


~80 min

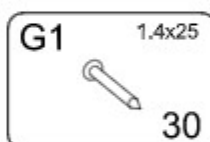
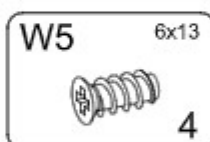
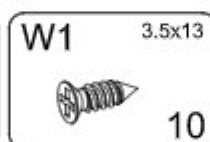
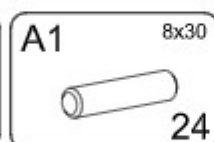
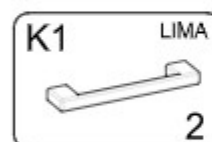
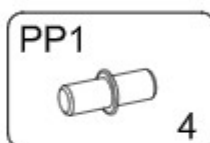
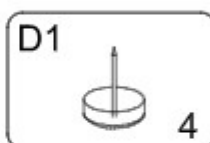
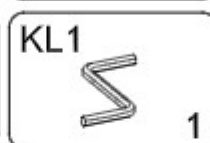
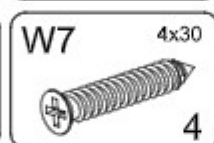
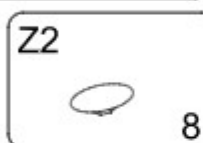
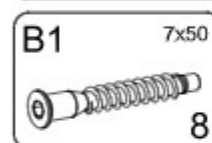
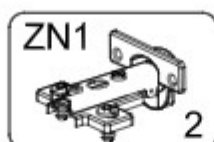
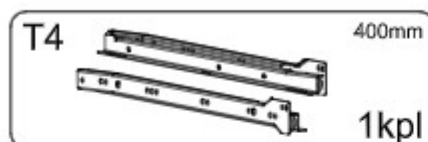


Ø 5mm

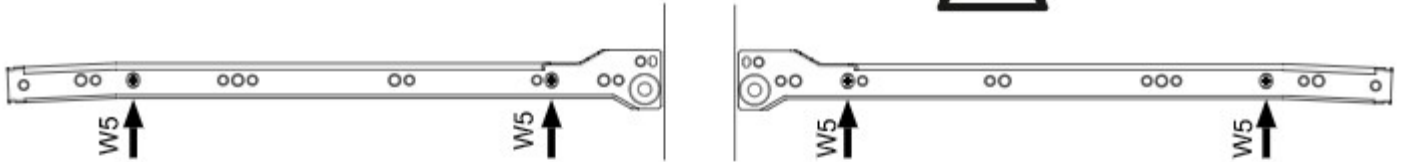
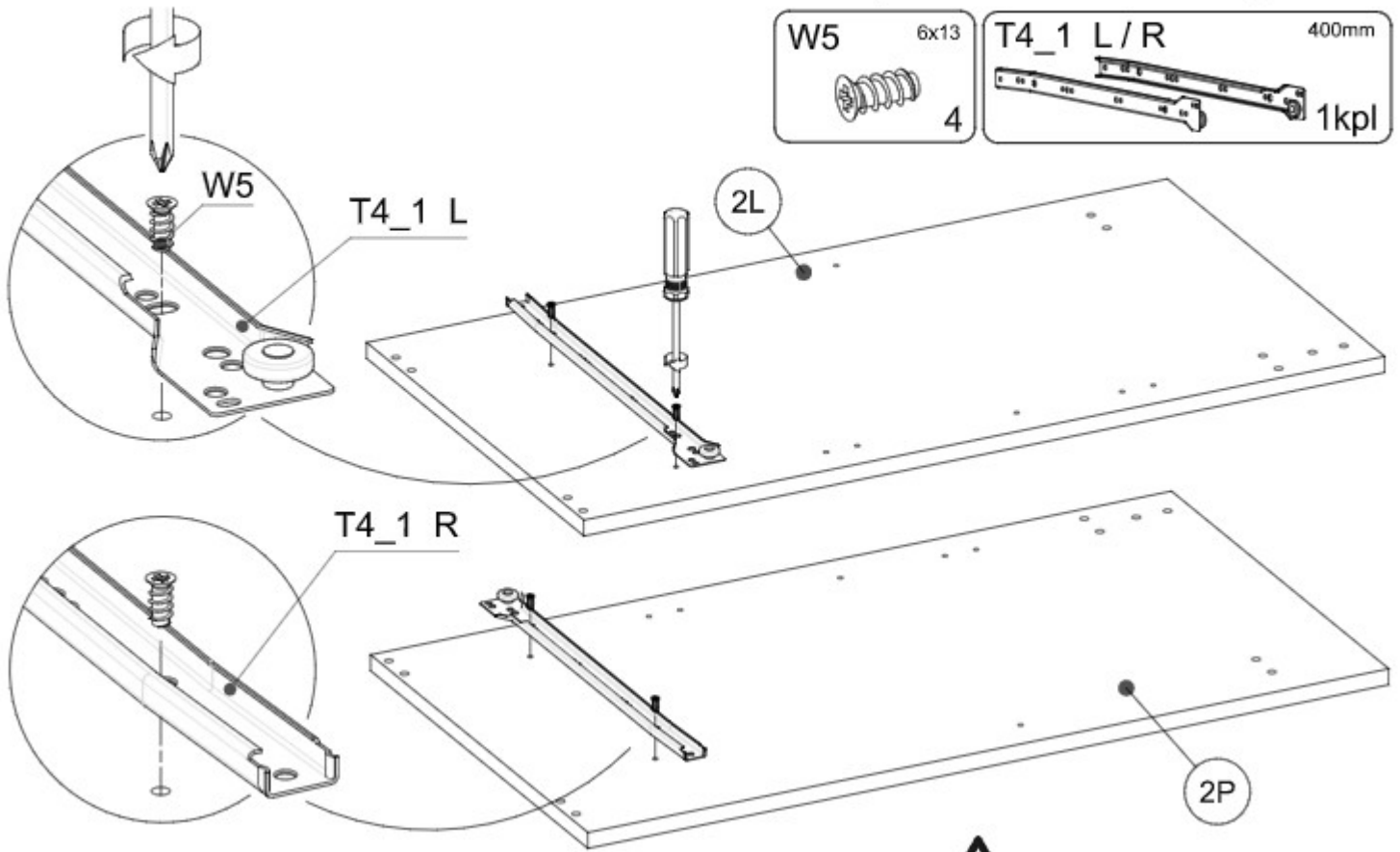




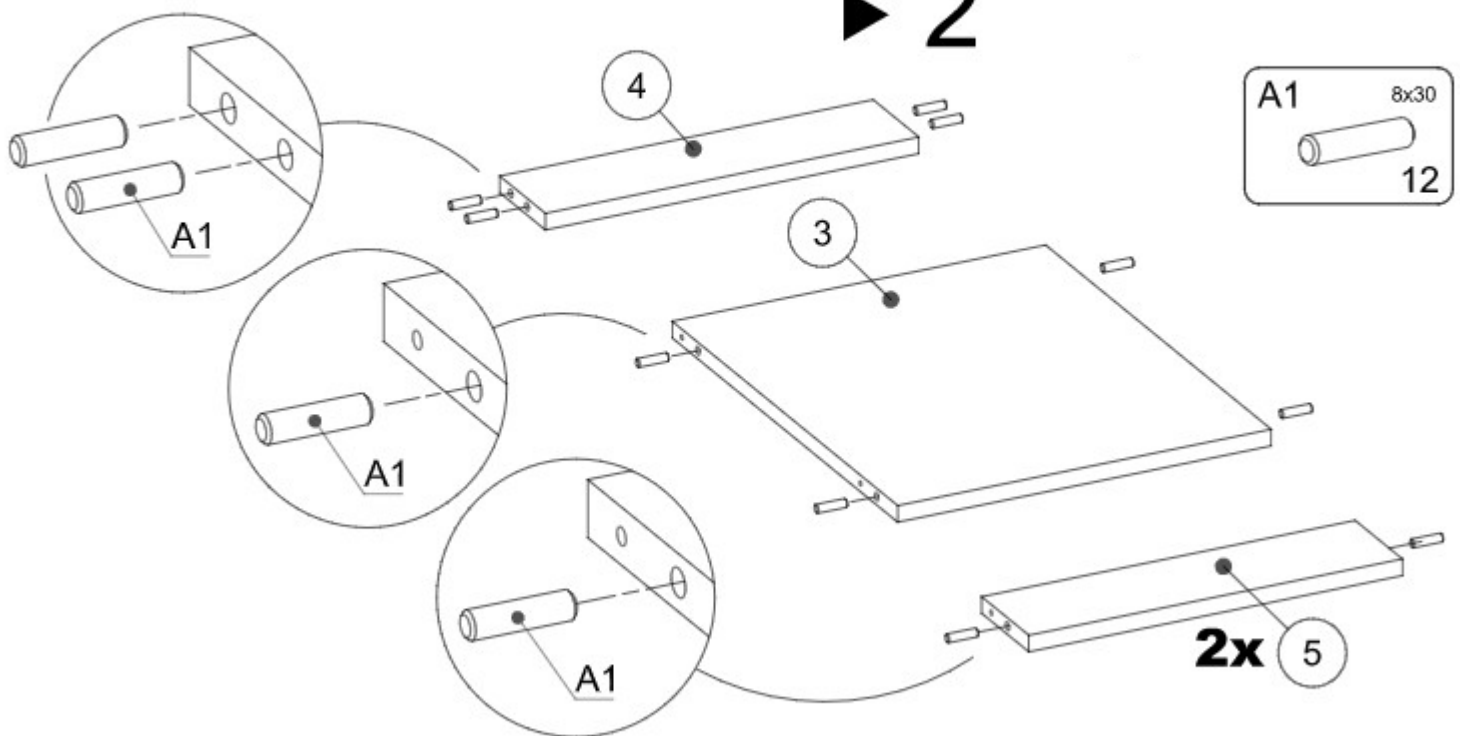
1	540x400x32mm	1
2L	820x445x16mm	1
2P	820x445x16mm	1
3	444x368x16mm	1
4	368x90x16mm	1
5	368x93x16mm	2
6	396x140x16mm	1
7	570x396x16mm	1
8	368x435x16mm	1
9L	435x105,5x16mm	1
9P	435x105,5x16mm	1
10	310x84,5x16mm	2
11	435x320x3mm	1
12	728x397x3mm	1



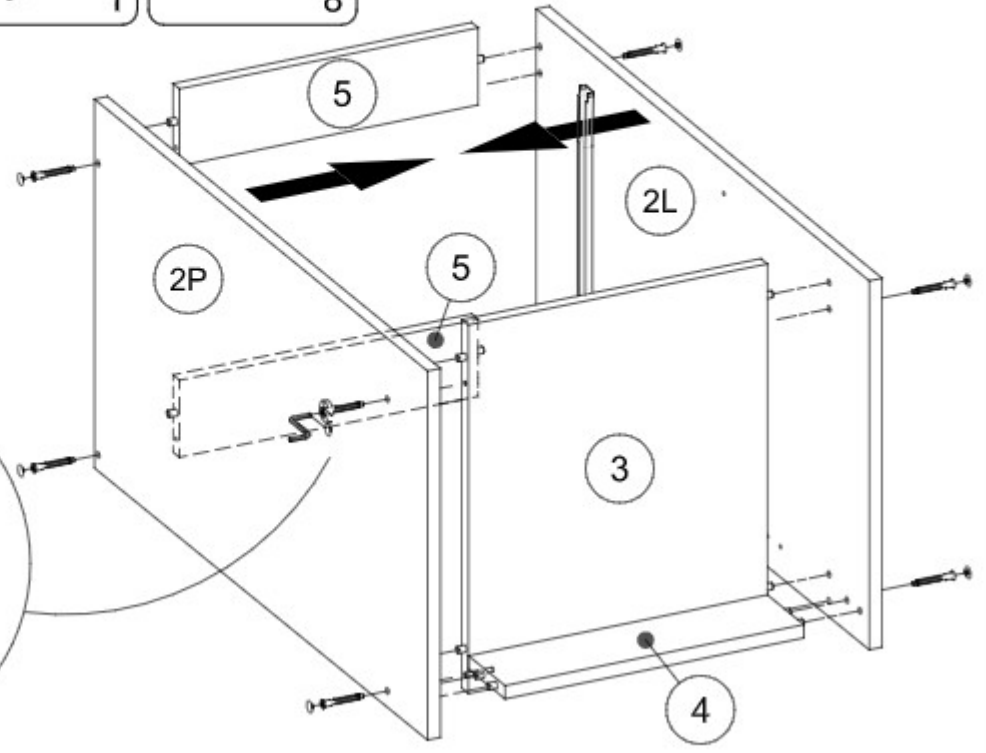
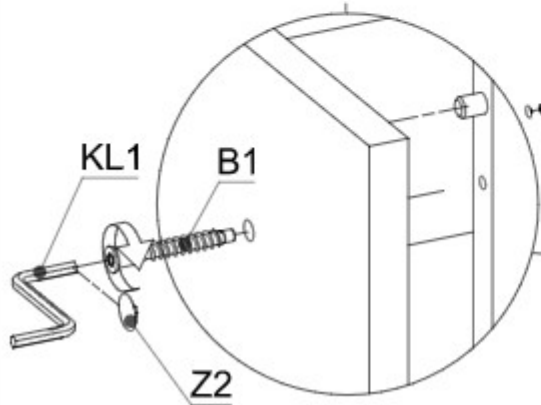
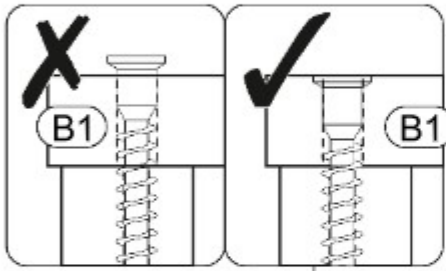
▶ 1



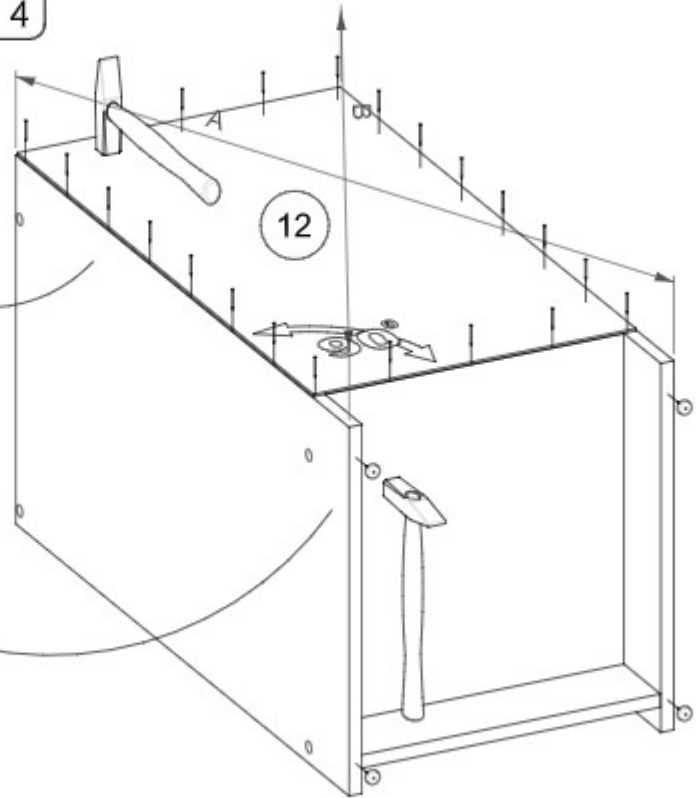
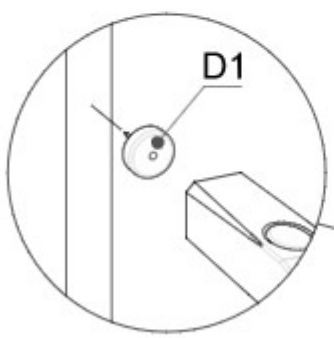
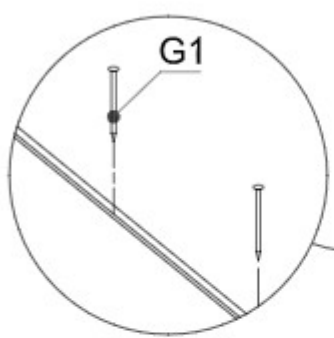
▶ 2



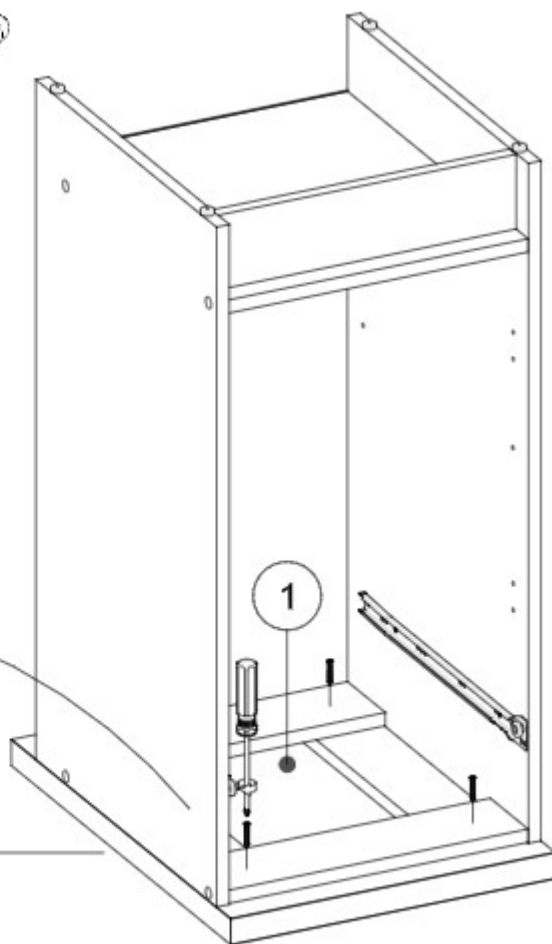
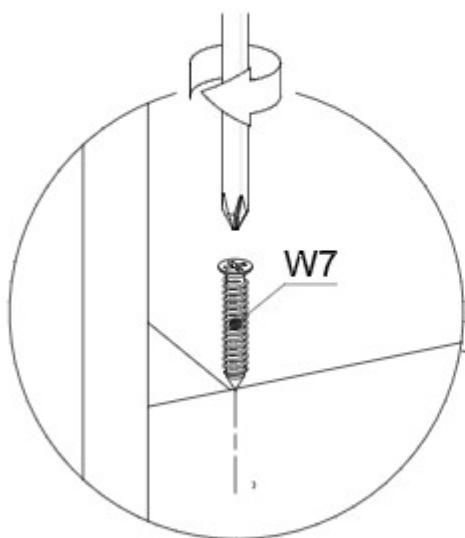
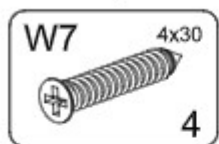
▶ 3



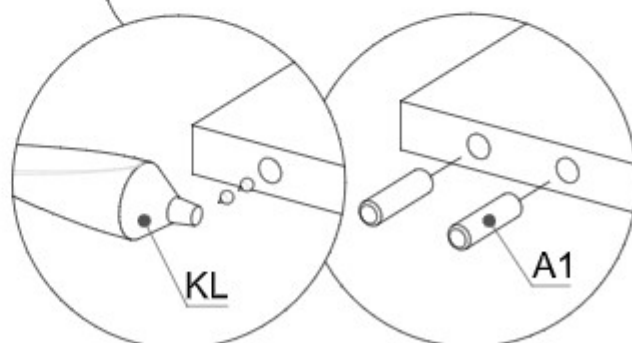
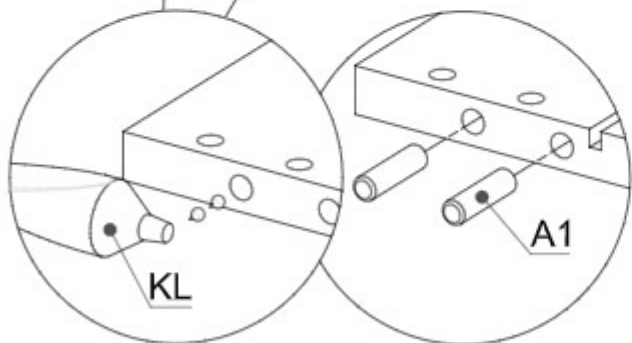
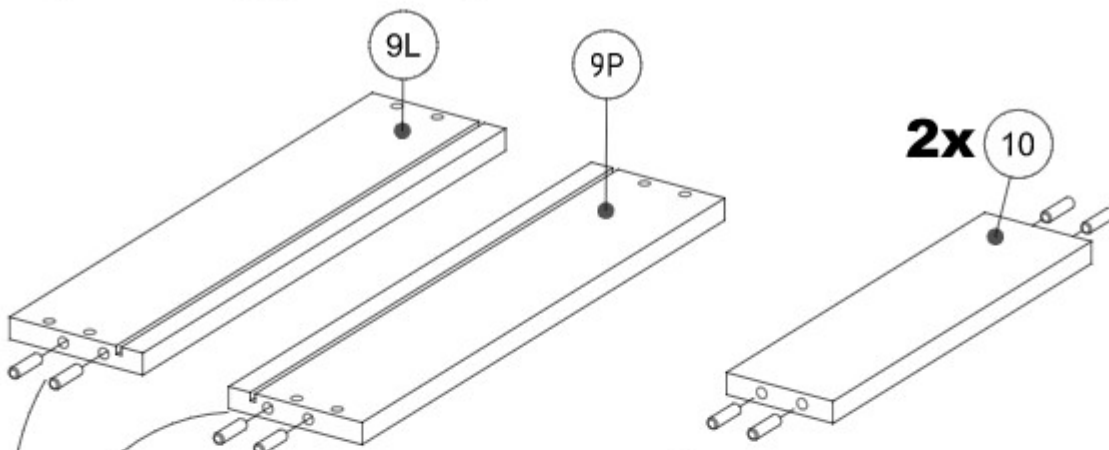
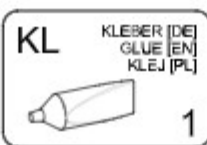
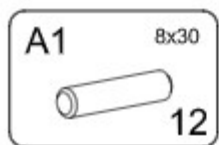
▶ 4

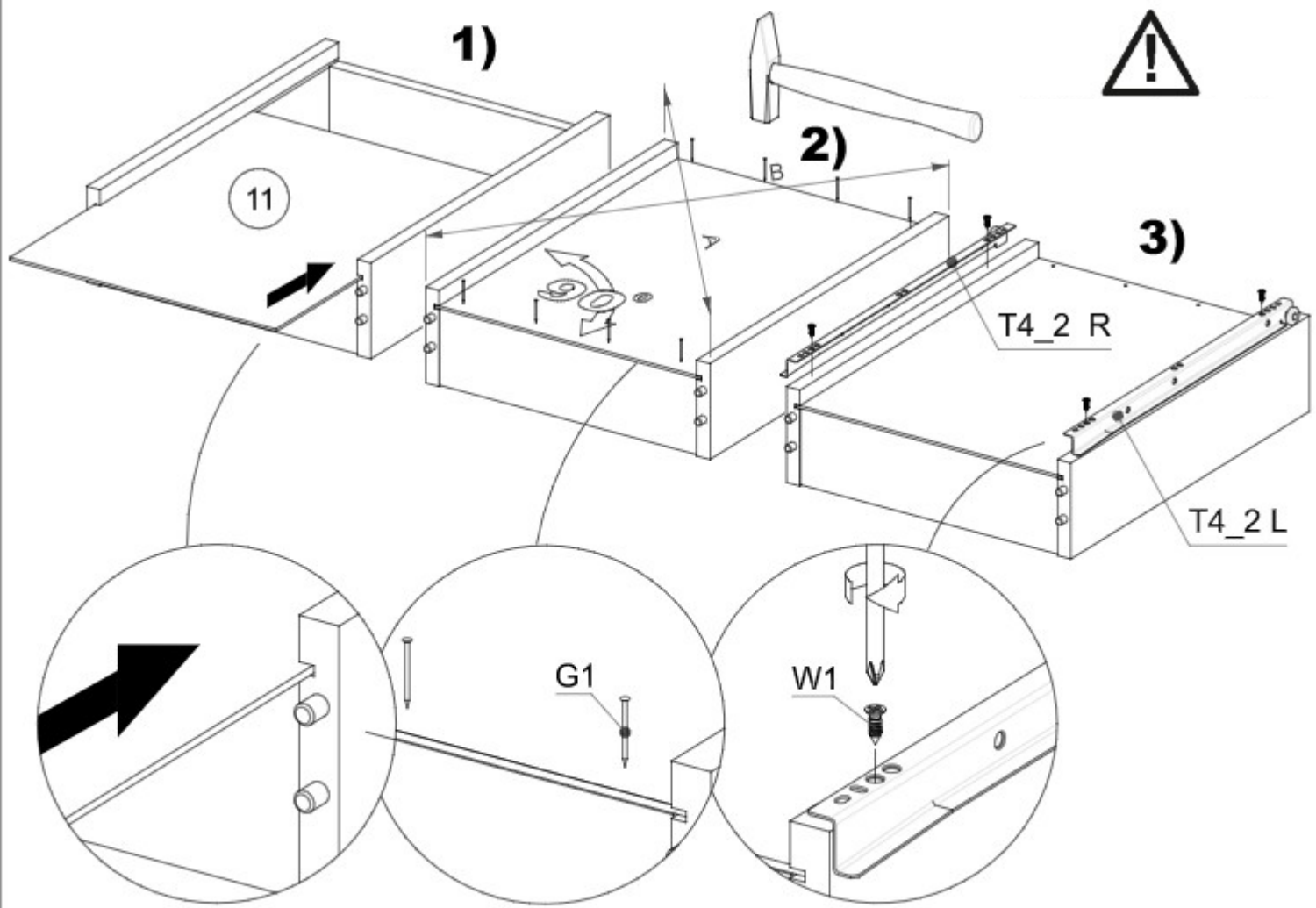
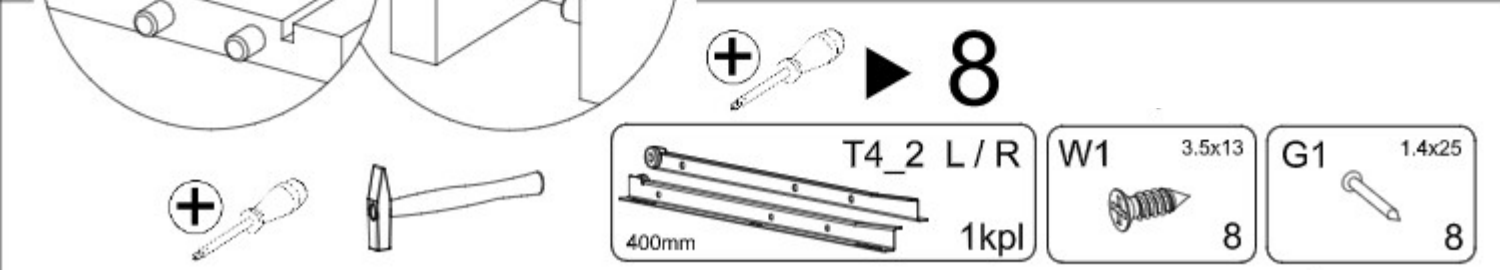
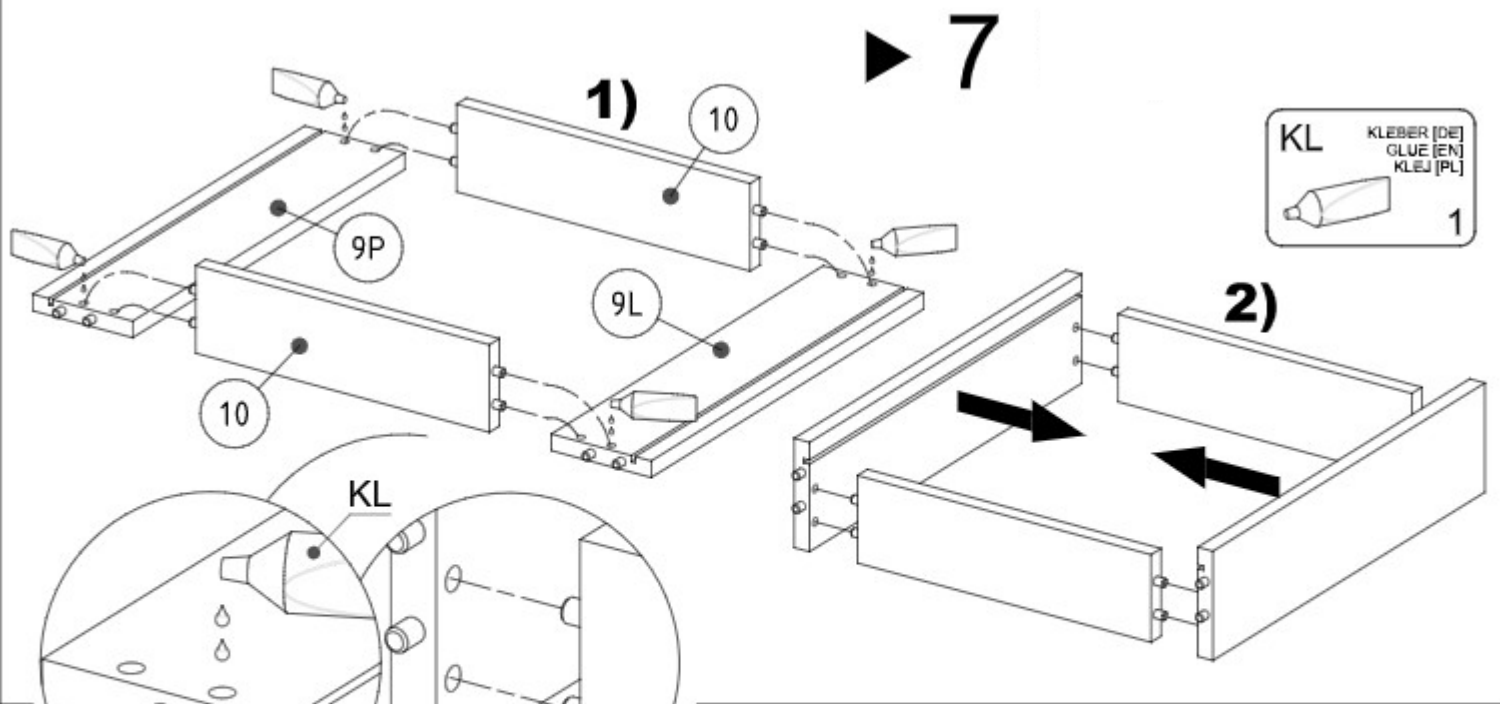


► 5

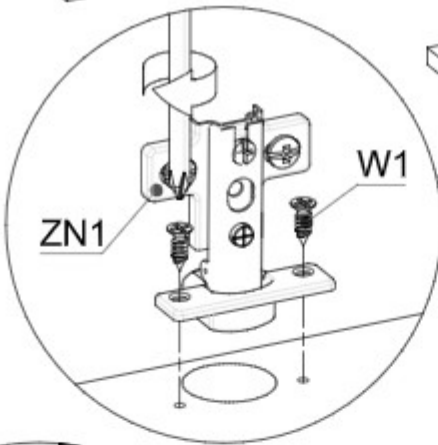
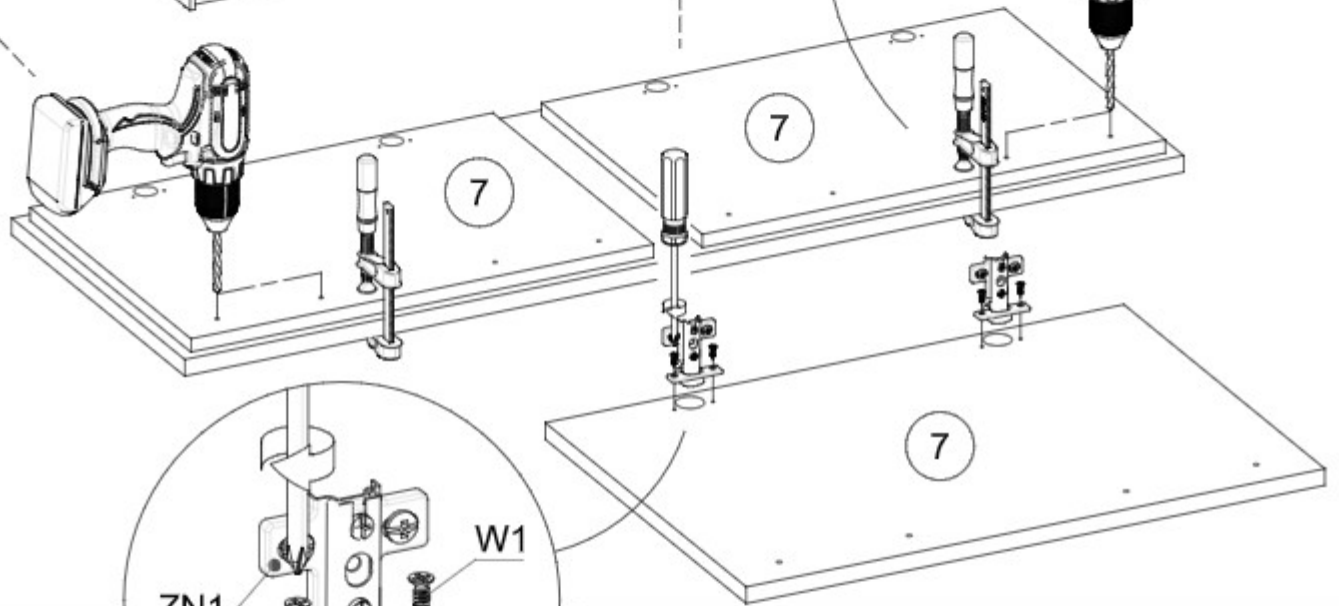
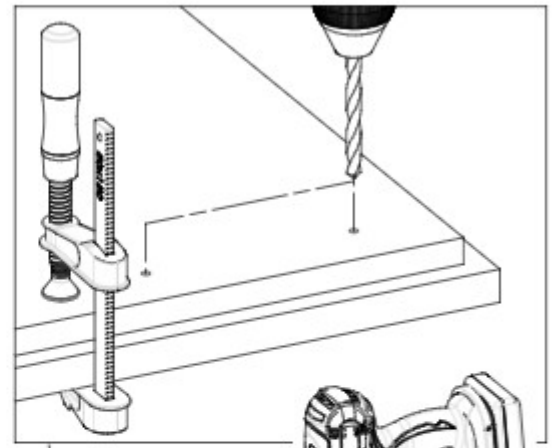


► 6

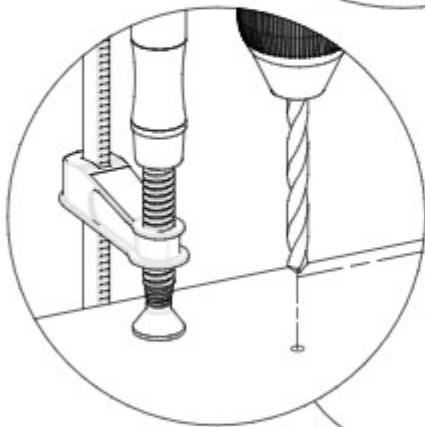




▶ 9

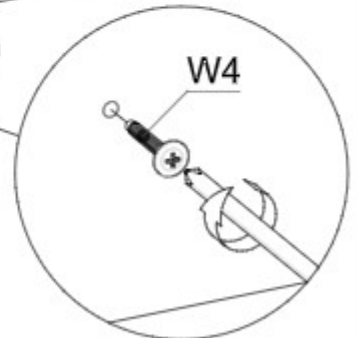
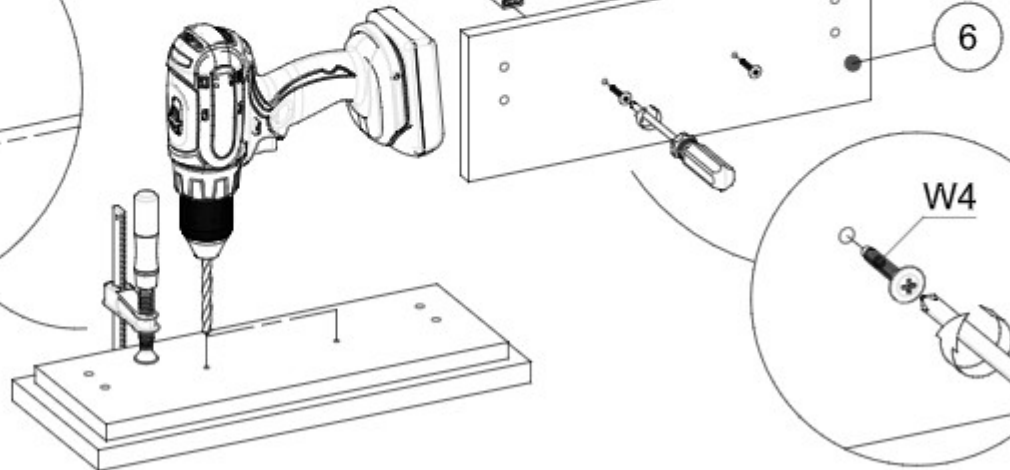


▶ 10

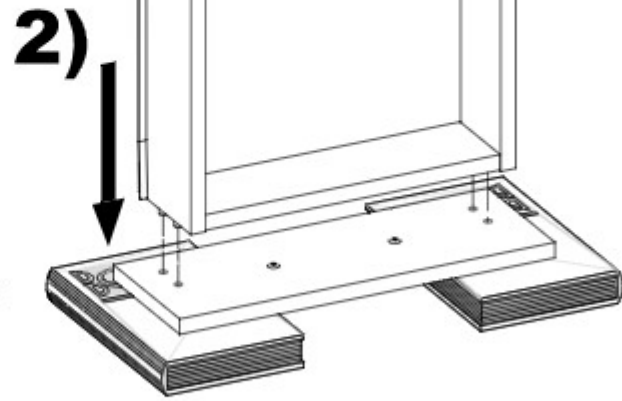
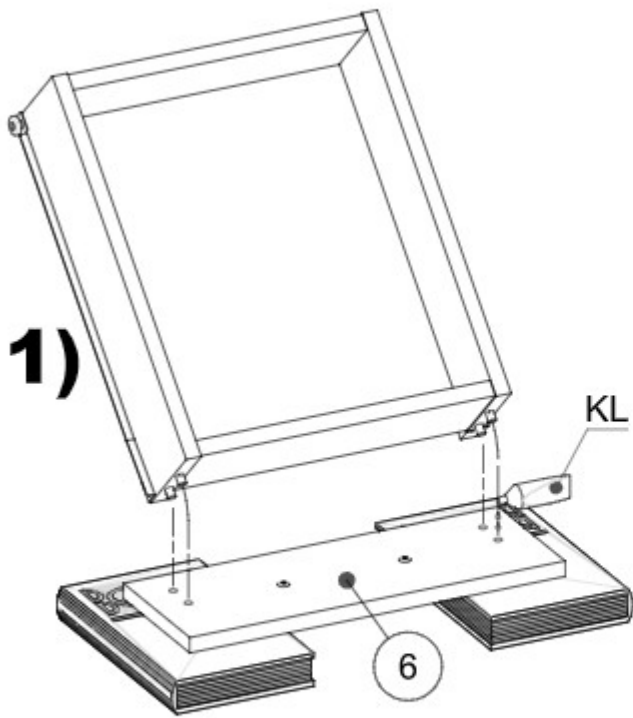


1)

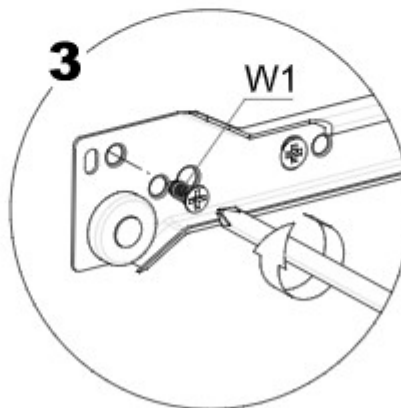
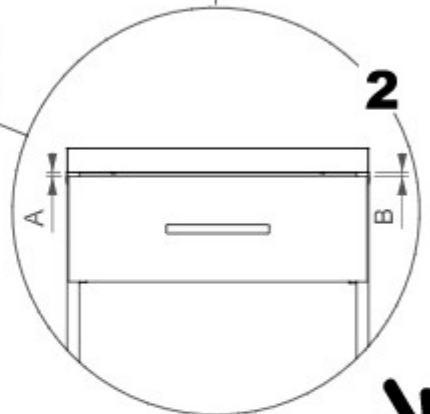
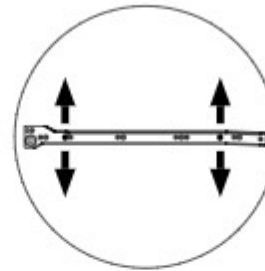
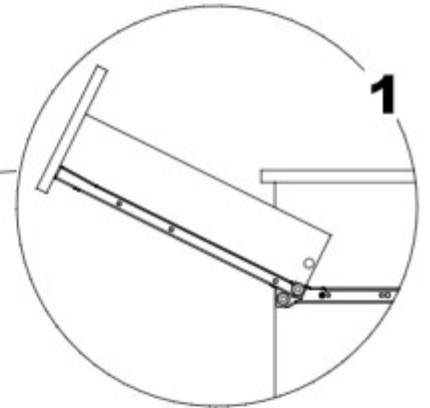
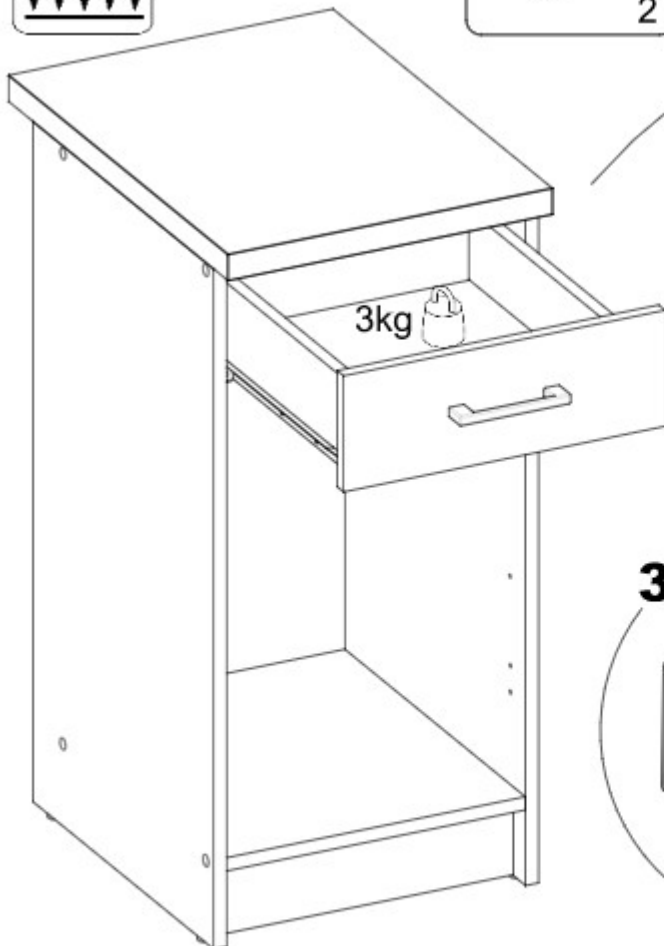
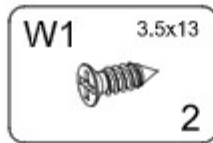
2)



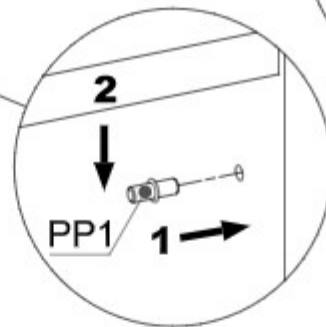
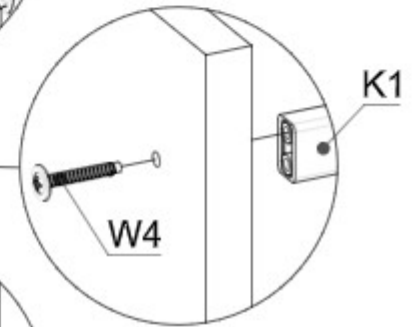
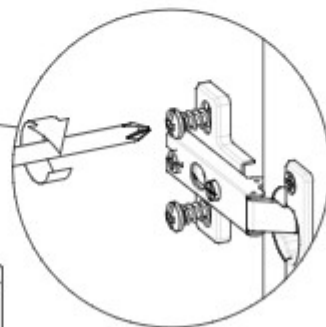
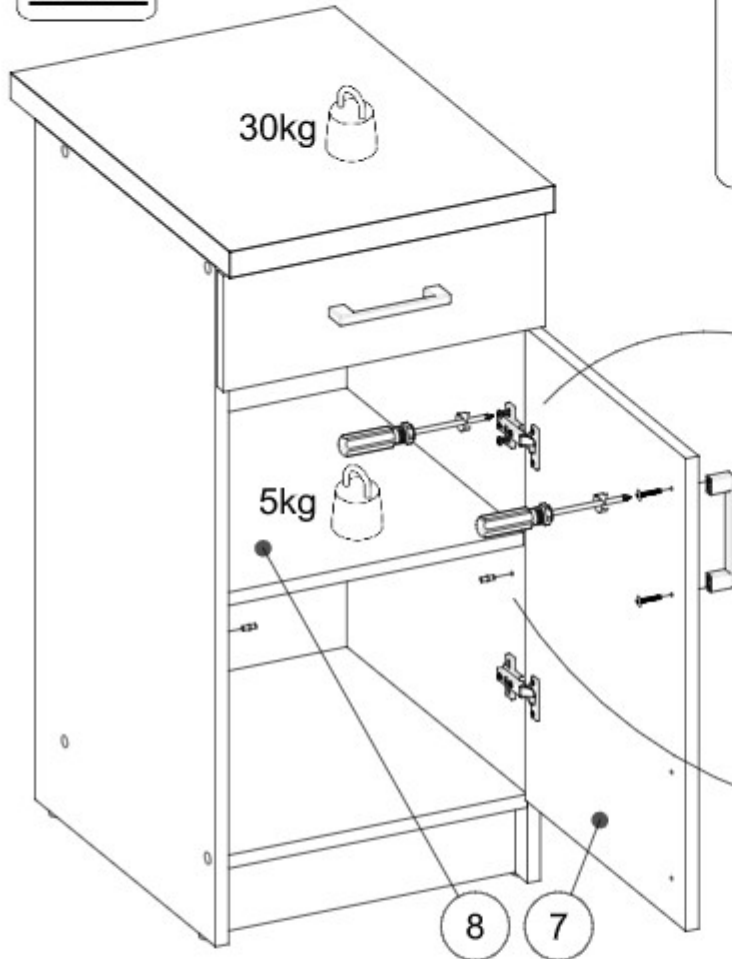
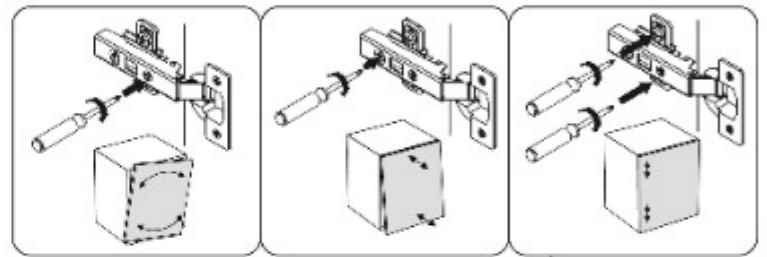
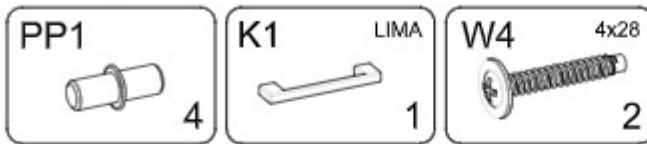
► 11



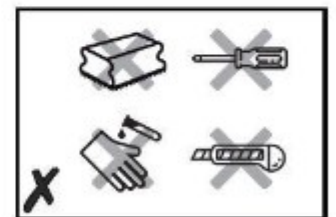
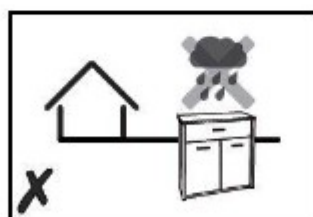
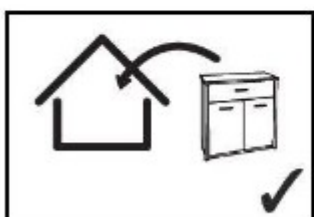
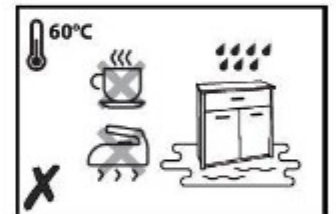
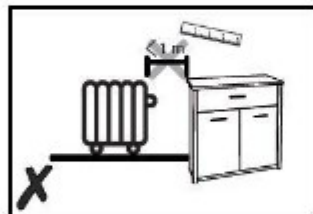
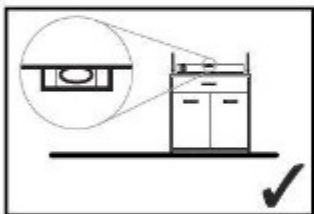
► 12



▶ 13



✓! X

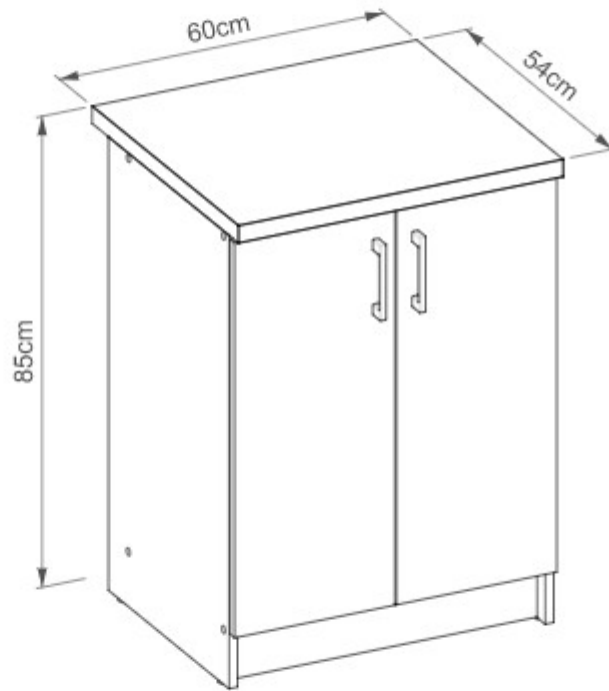
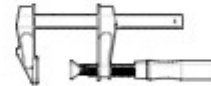


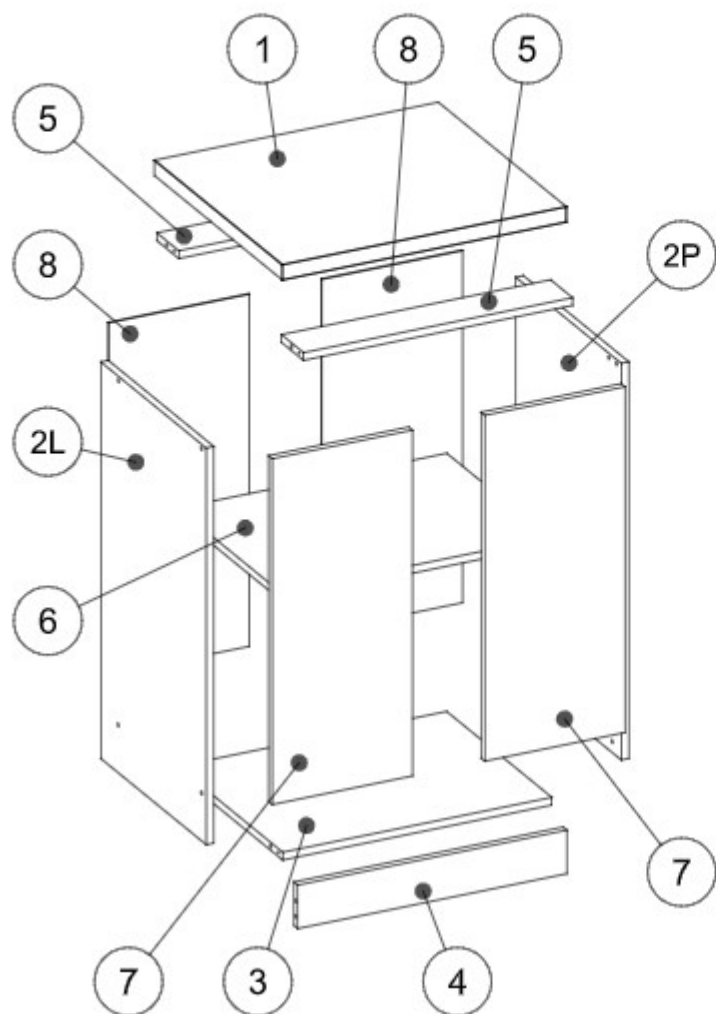


~70 min

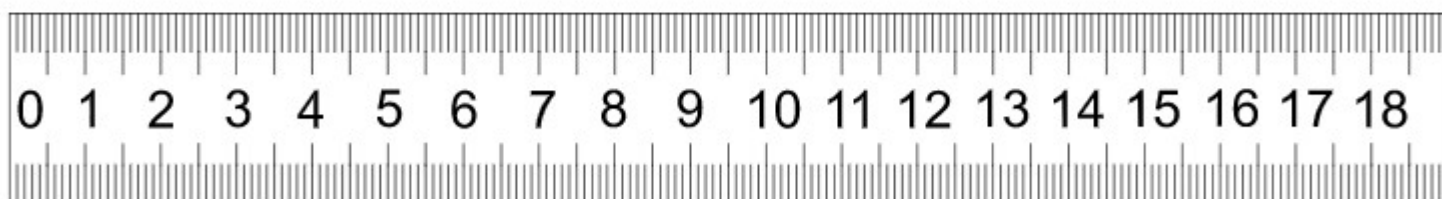
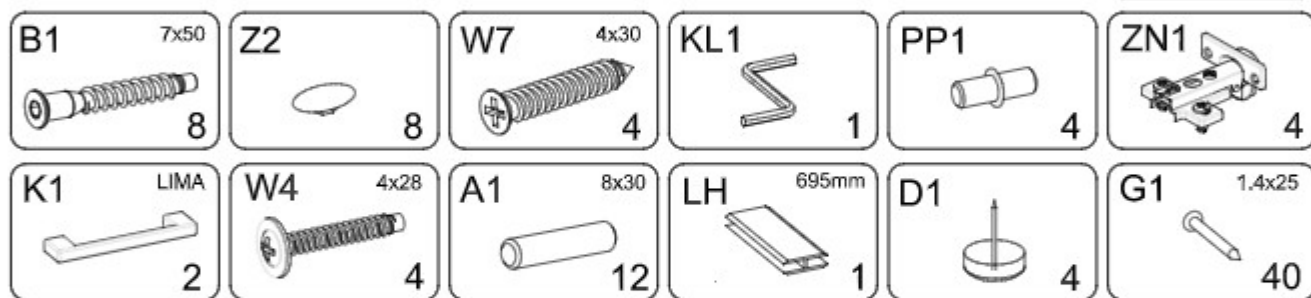


Ø 5mm

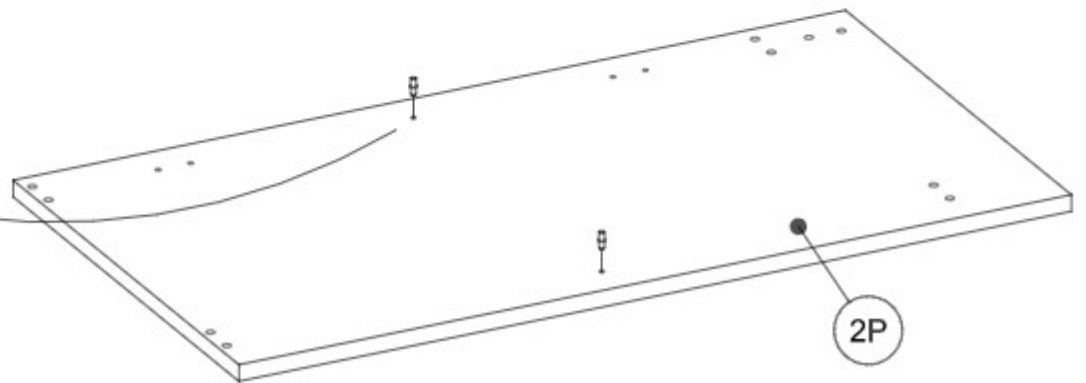
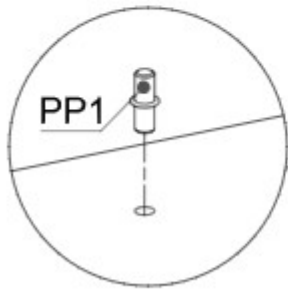
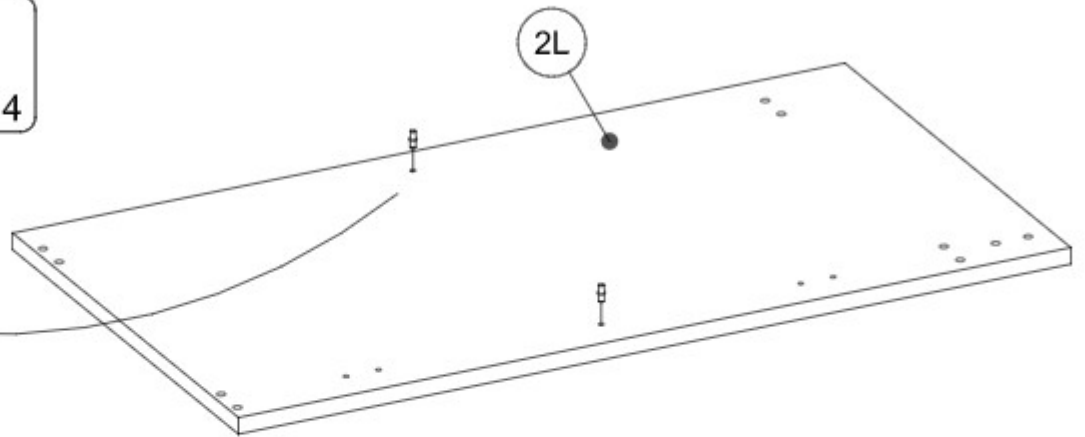
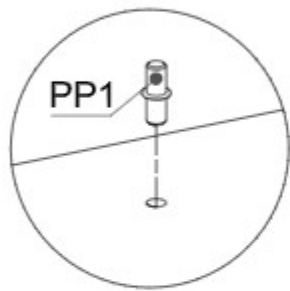
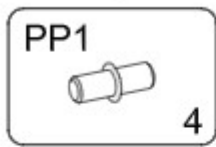




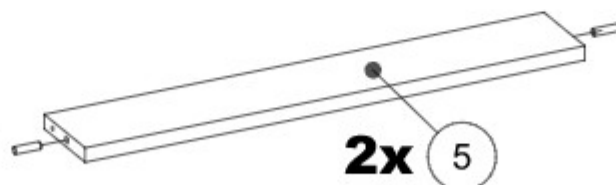
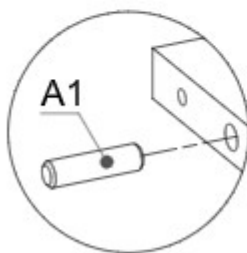
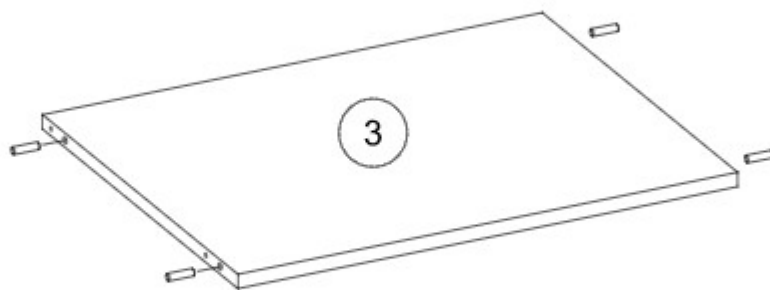
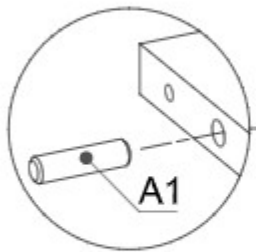
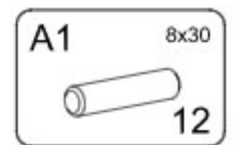
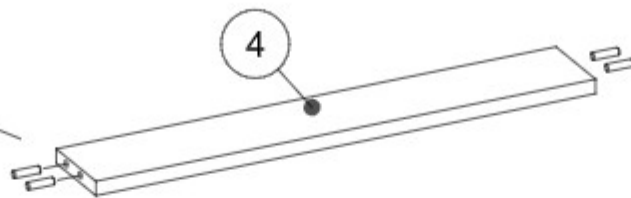
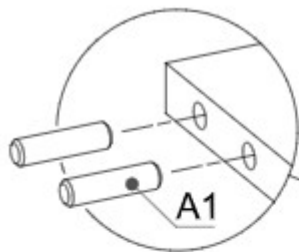
1	540x600x32mm	1
2L	820x445x16mm	1
2P	820x445x16mm	1
3	568x444x16mm	1
4	568x90x16mm	1
5	568x93x16mm	2
6	568x435x16mm	1
7	715x296x16mm	2
8	728x297x3mm	2



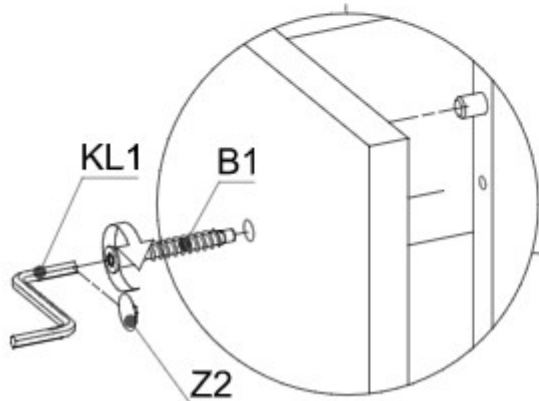
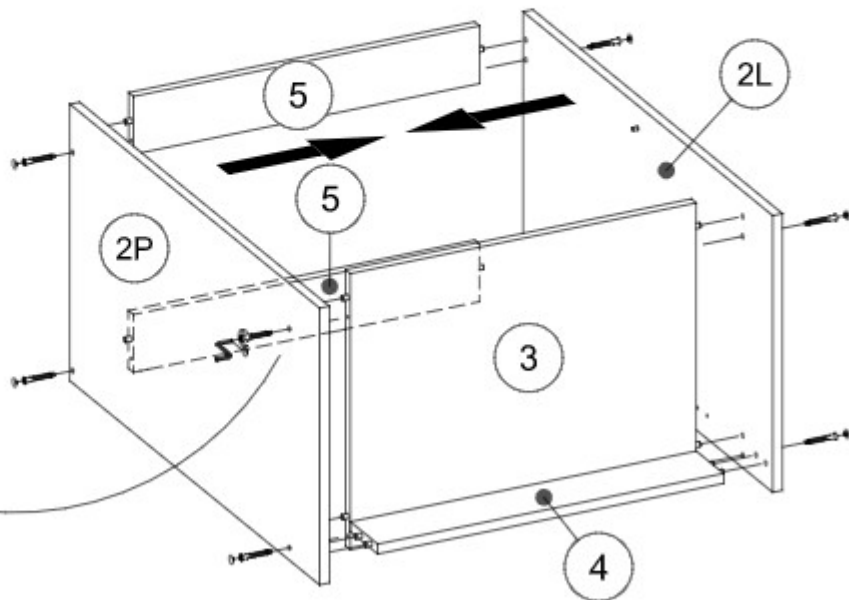
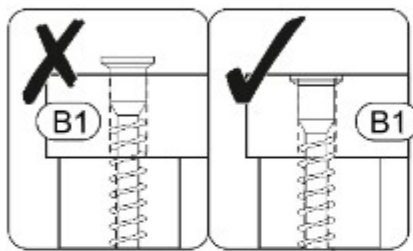
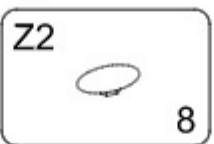
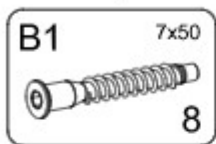
▶ 1



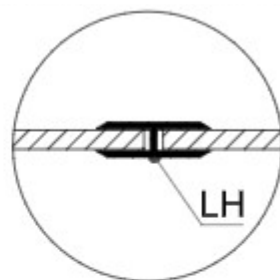
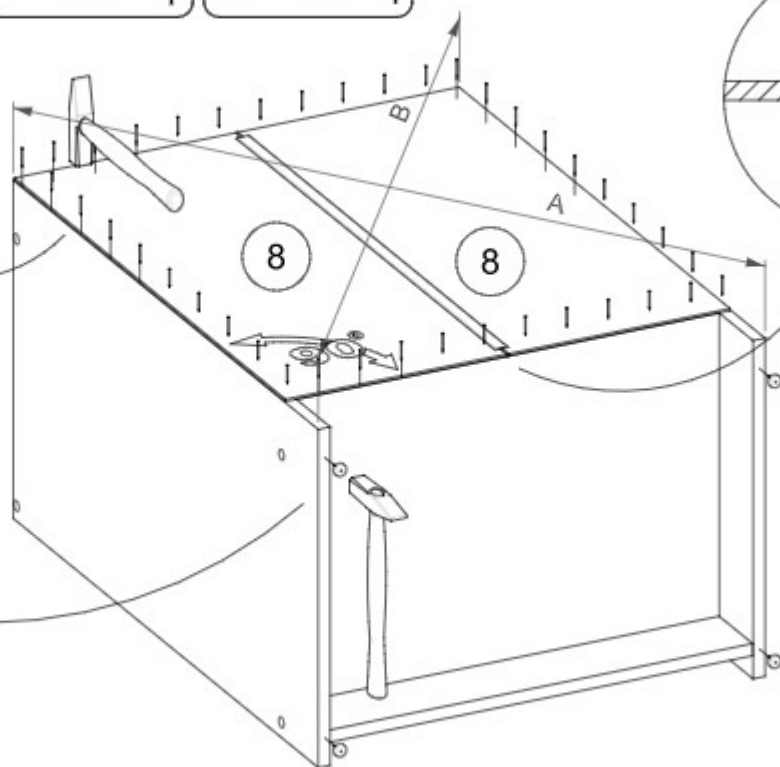
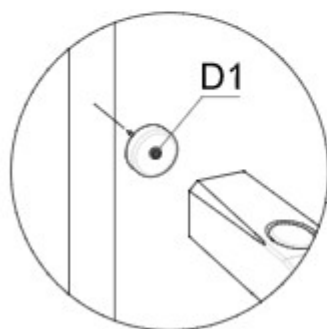
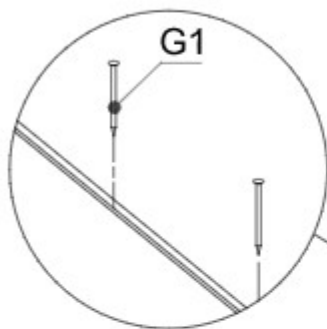
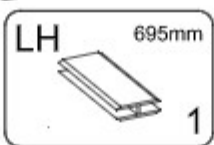
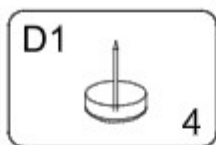
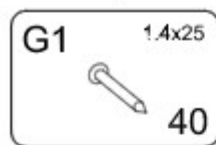
▶ 2



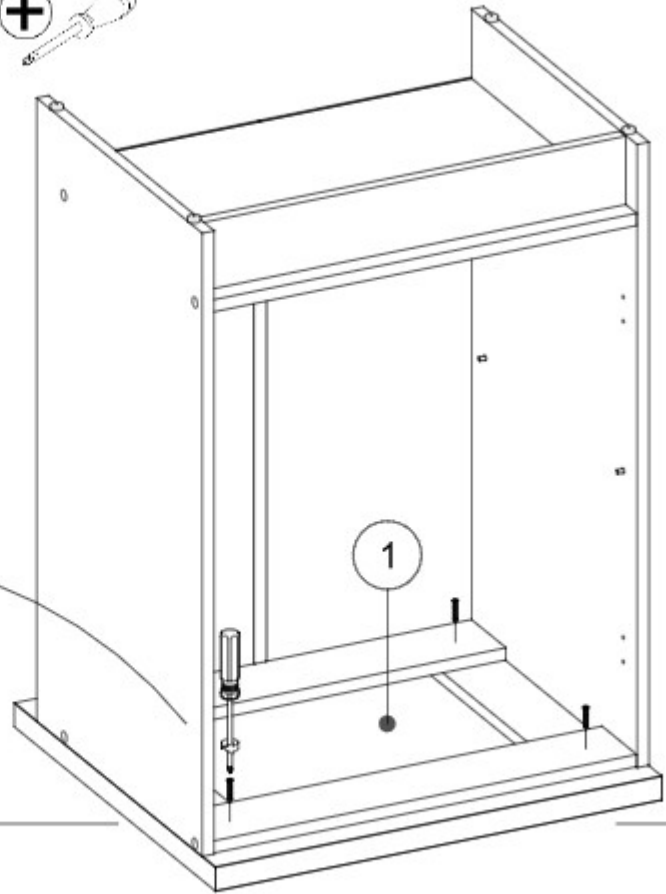
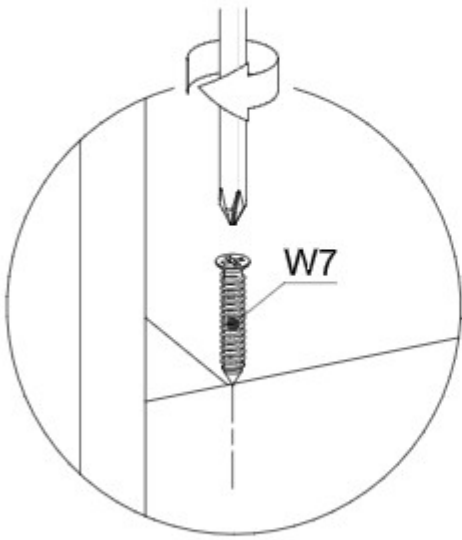
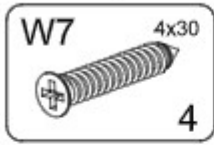
▶ 3



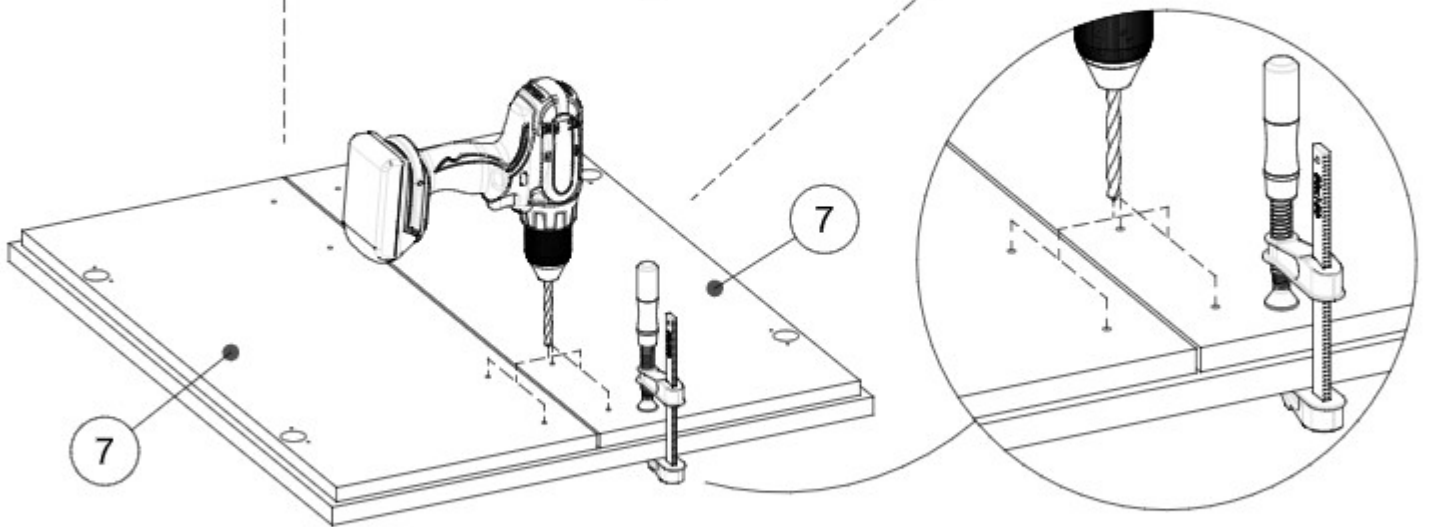
▶ 4



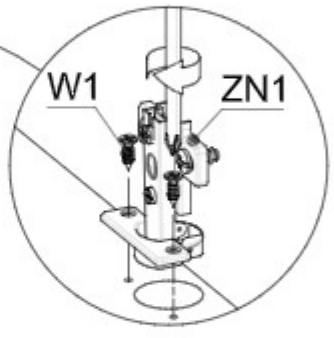
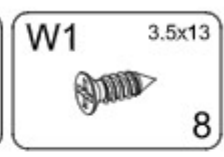
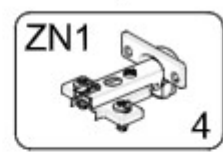
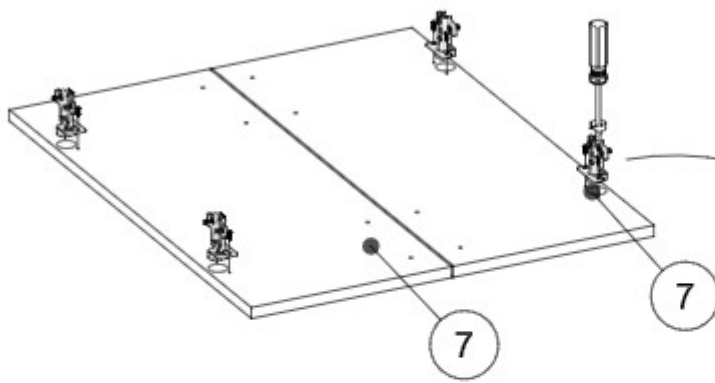
▶ 5



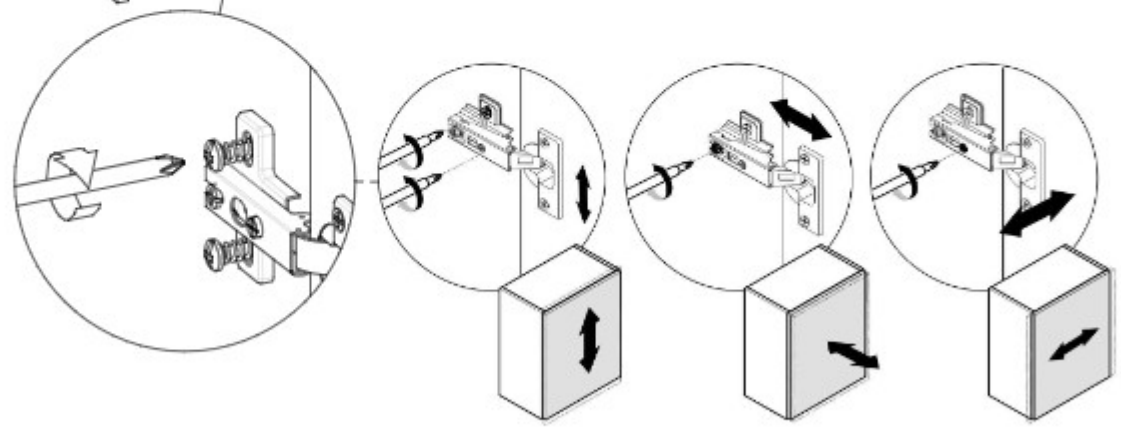
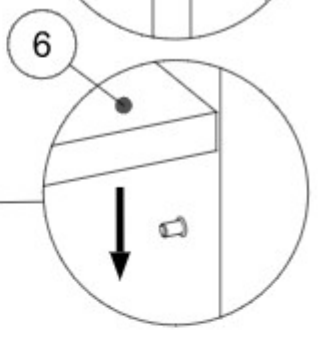
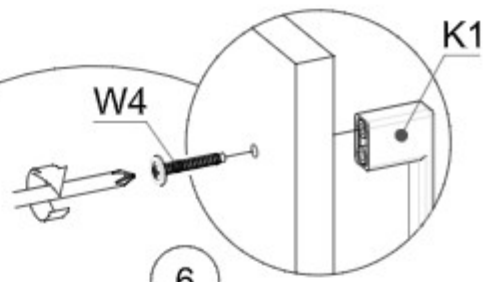
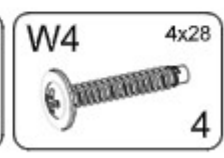
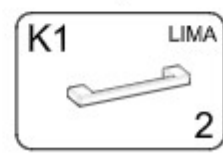
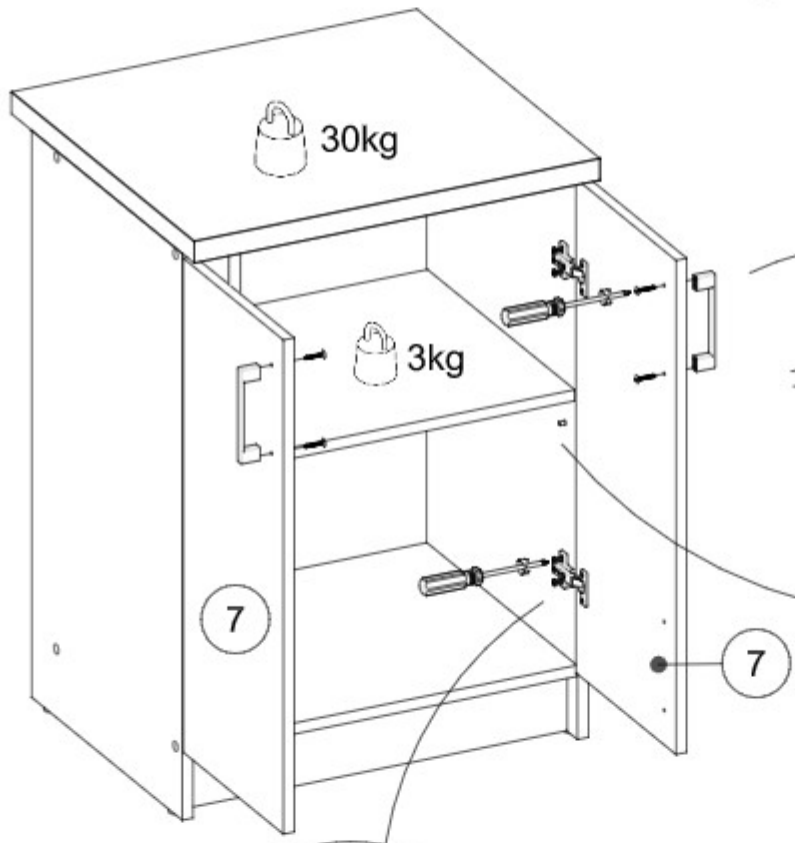
▶ 6

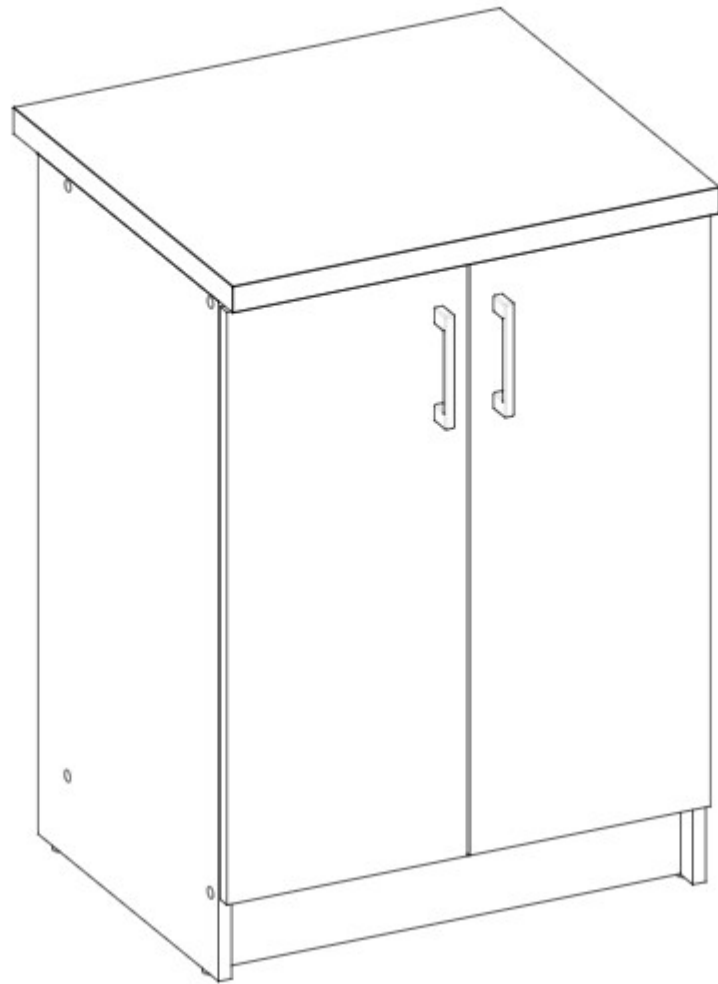


⊕ ▶ 7

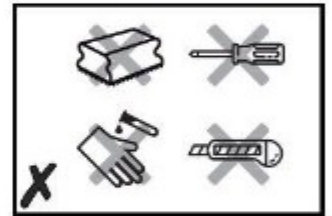
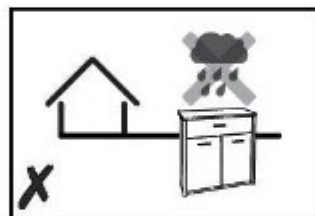
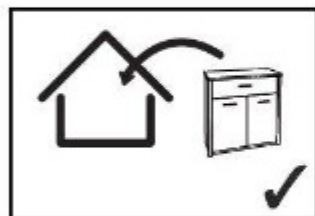
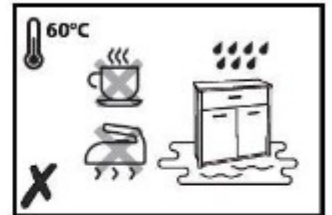
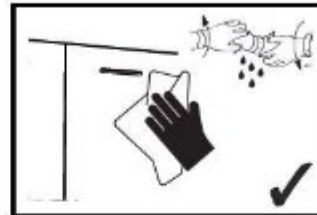
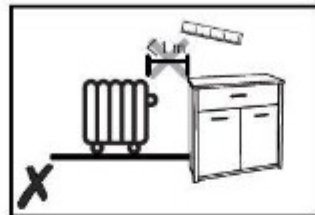
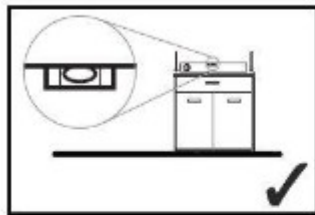


▶ 8



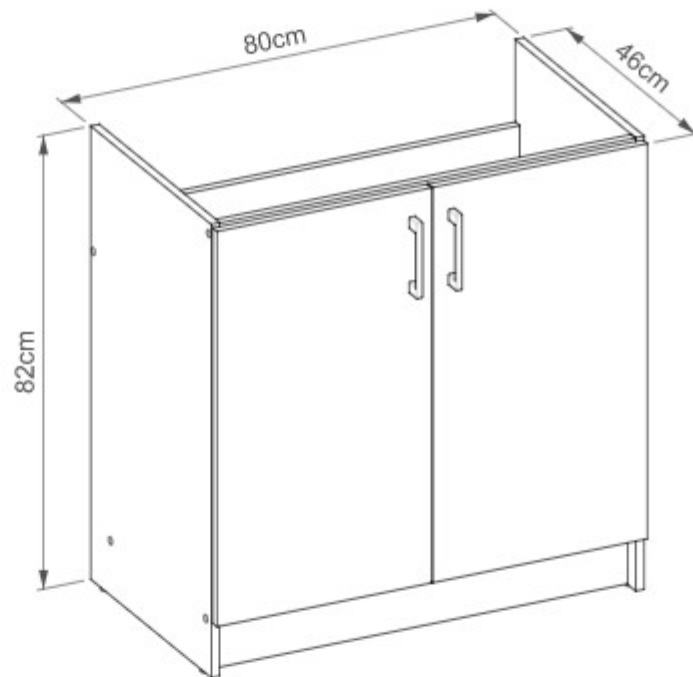
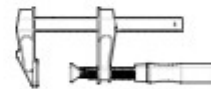


✓! ✗

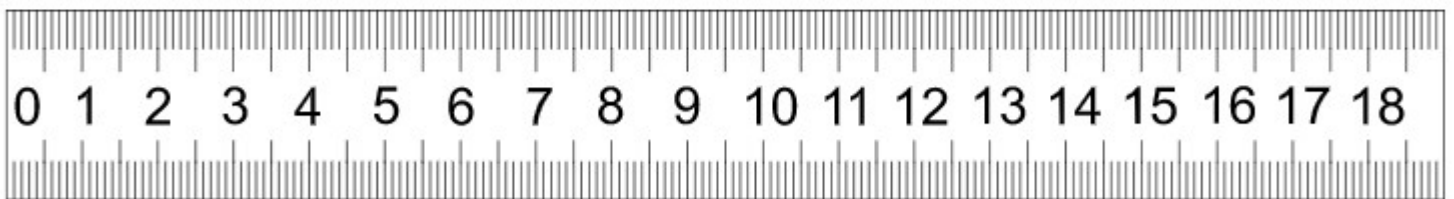
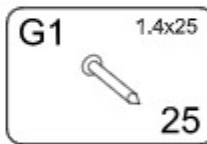
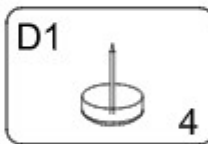
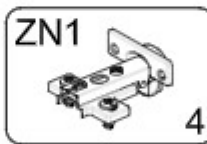
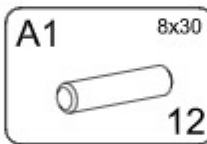
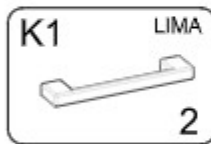
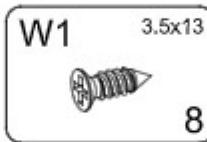
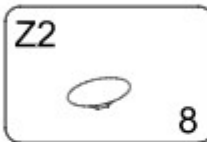
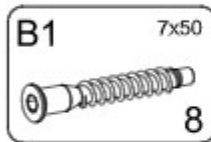
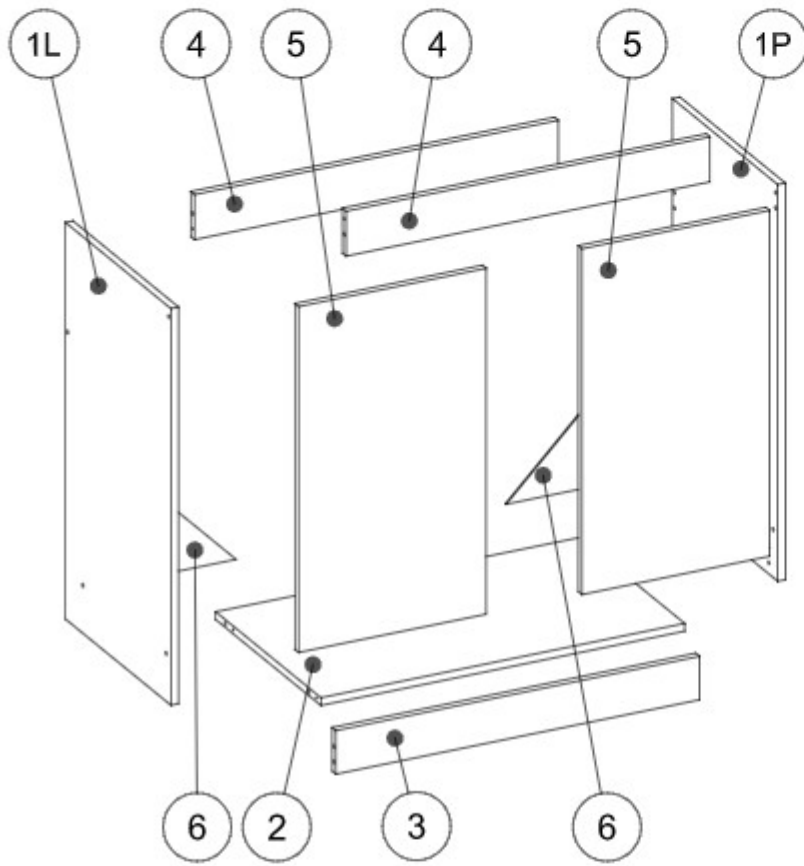




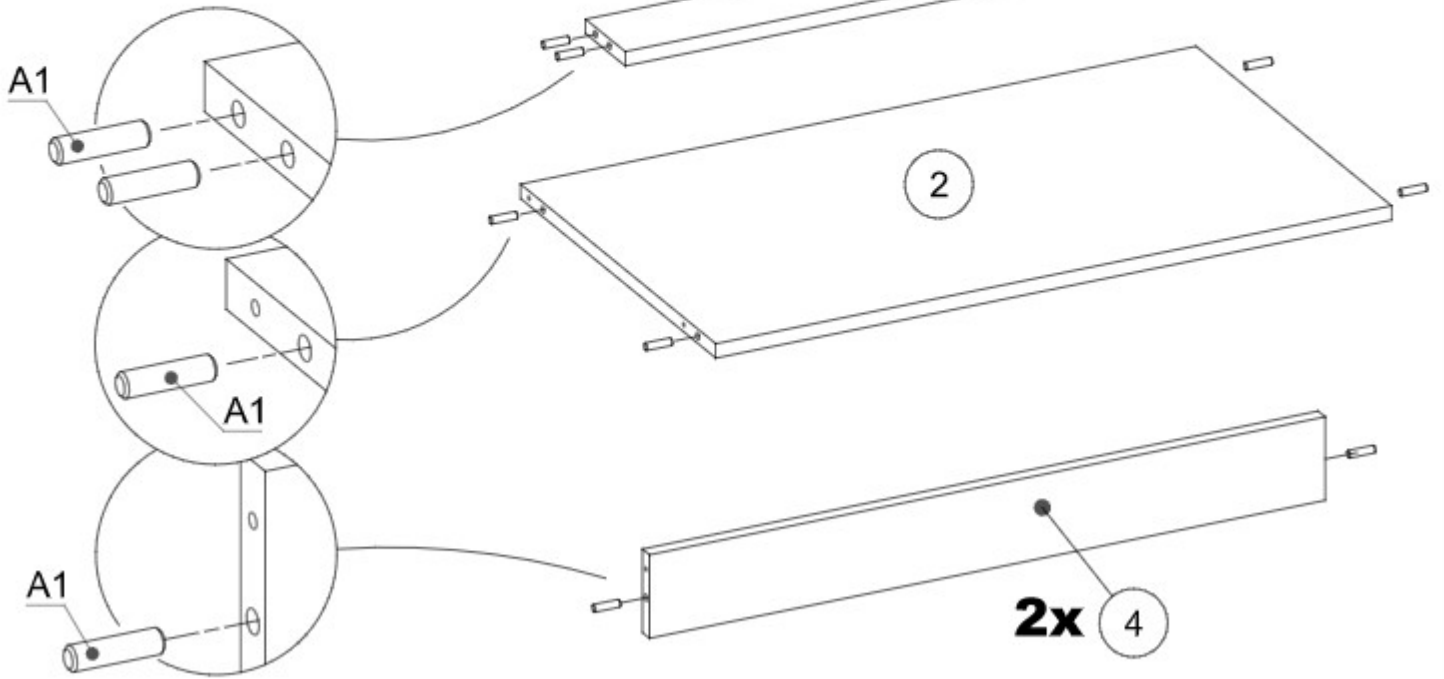
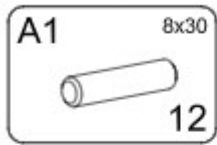
~70 min



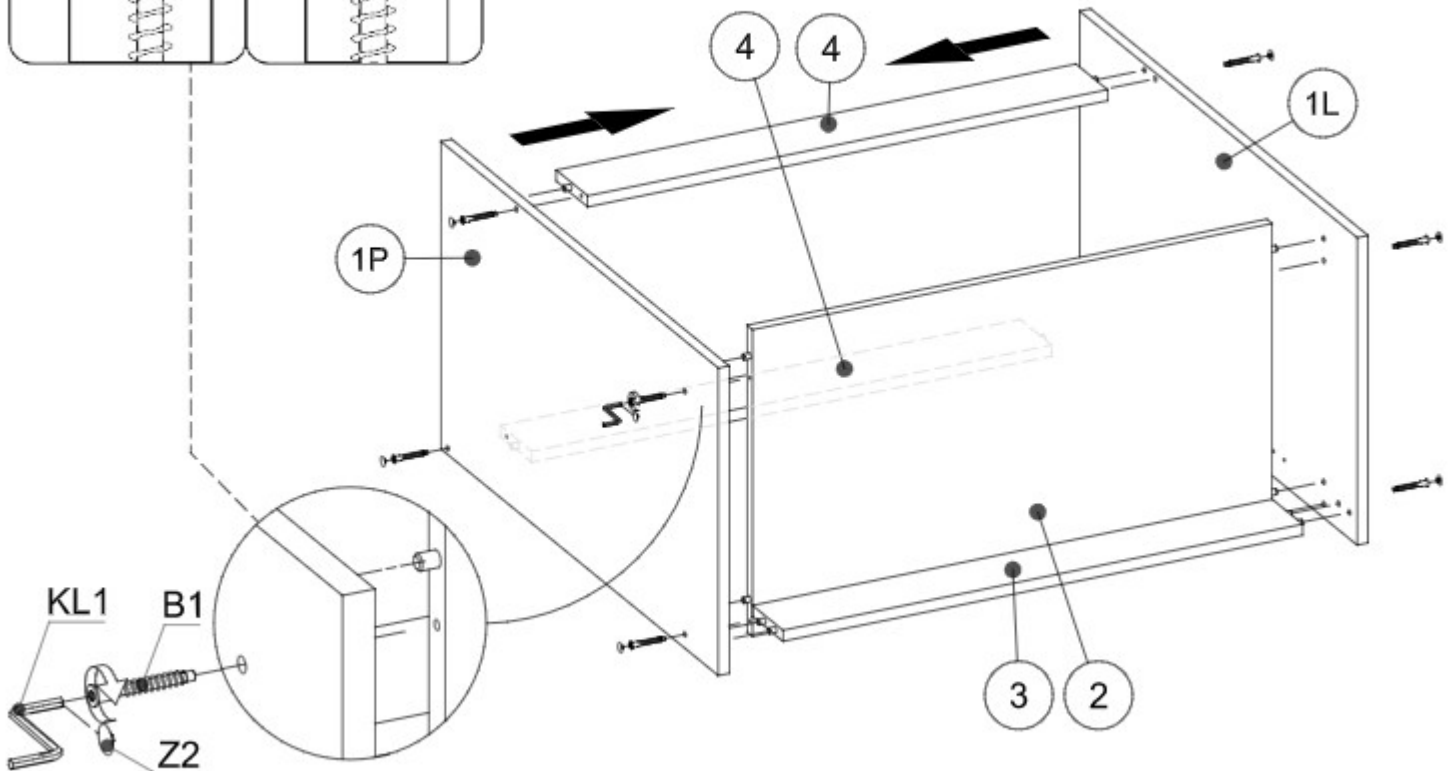
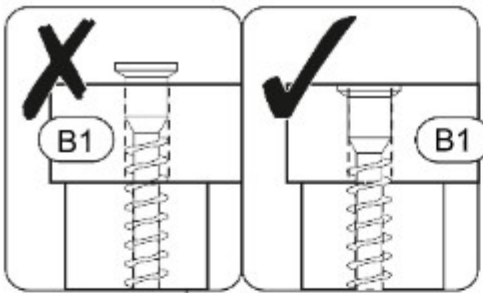
1L	820x445x16mm	1
1P	820x445x16mm	1
2	768x444x16mm	1
3	768x90x16mm	1
4	768x93x16mm	2
5	715x396x16mm	2
6	250x250x3mm	2



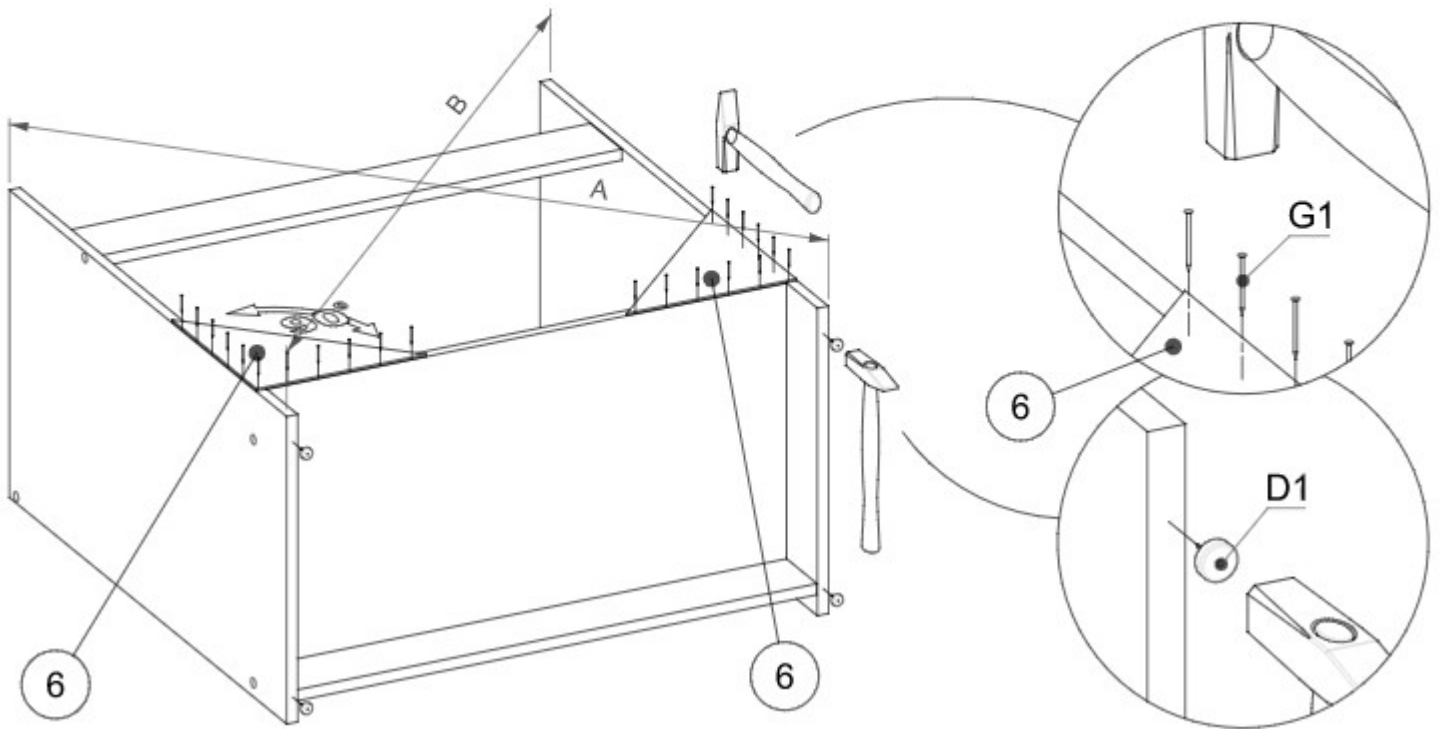
▶ 1



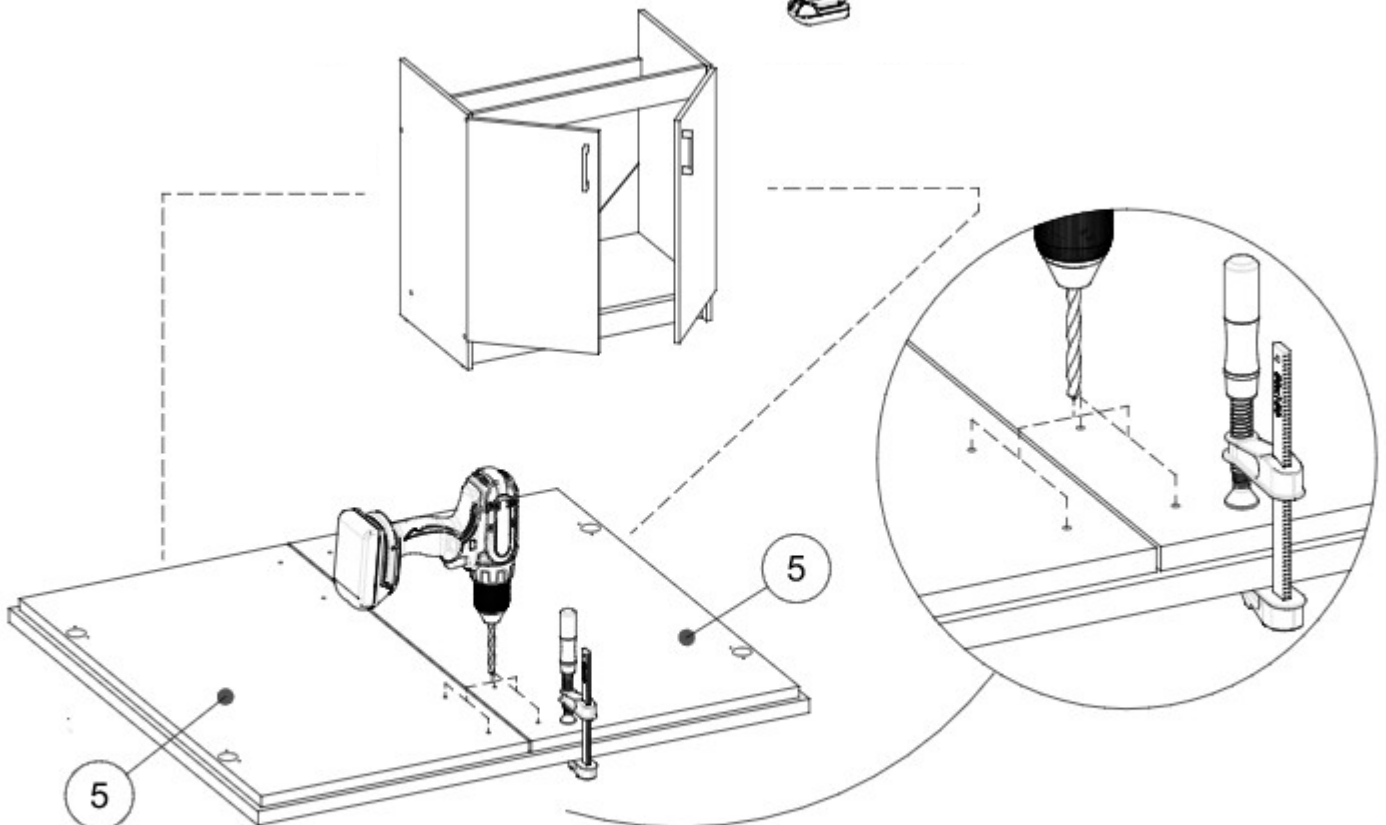
▶ 2



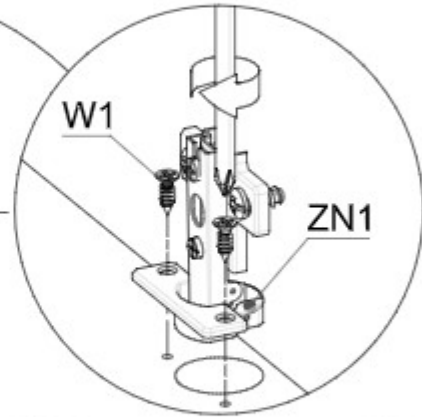
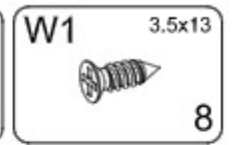
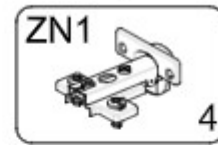
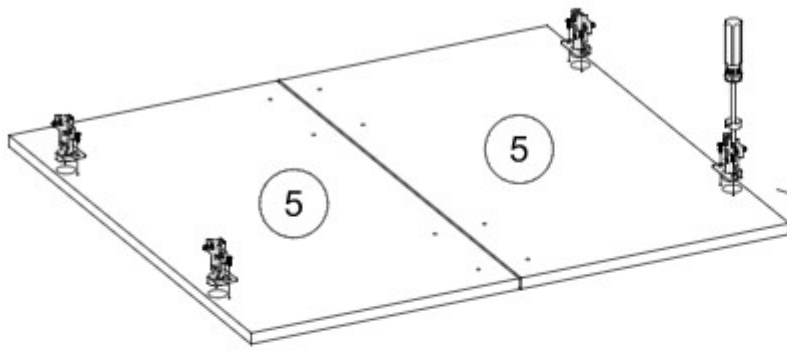
▶ 3



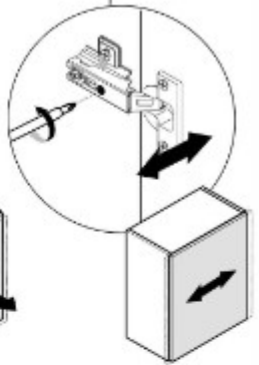
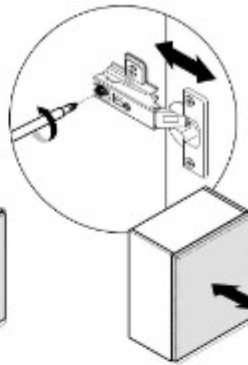
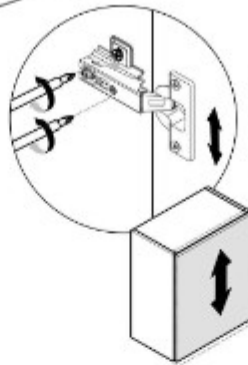
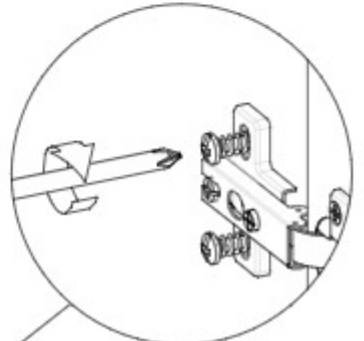
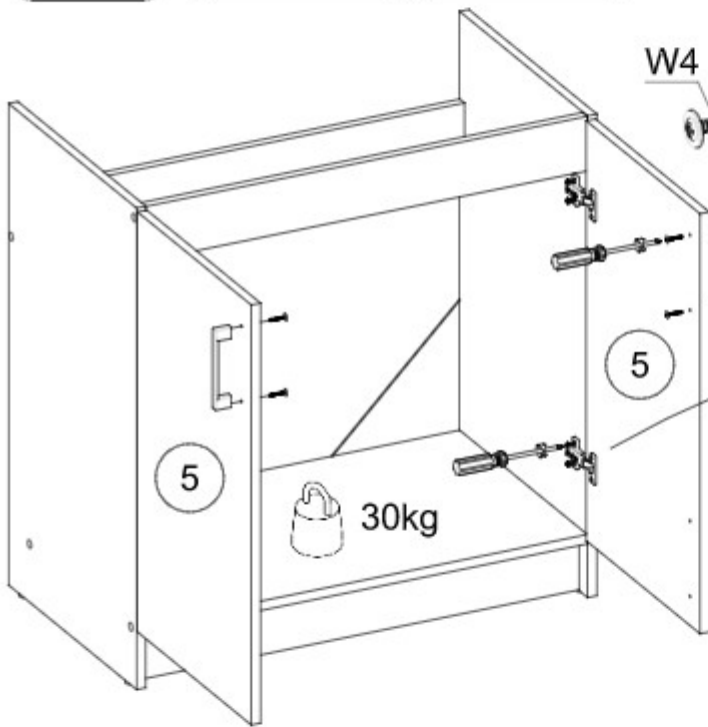
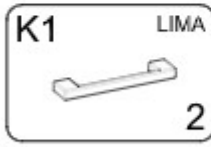
▶ 4



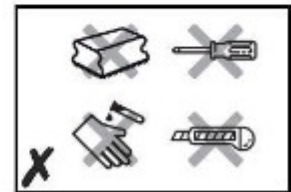
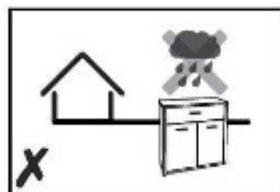
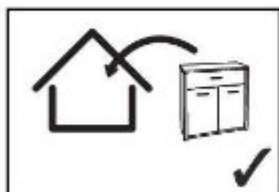
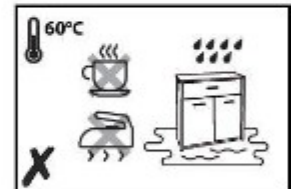
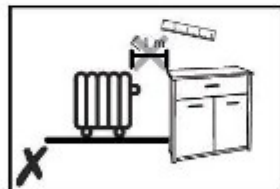
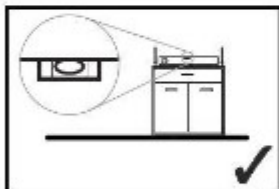
▶ 5



▶ 6

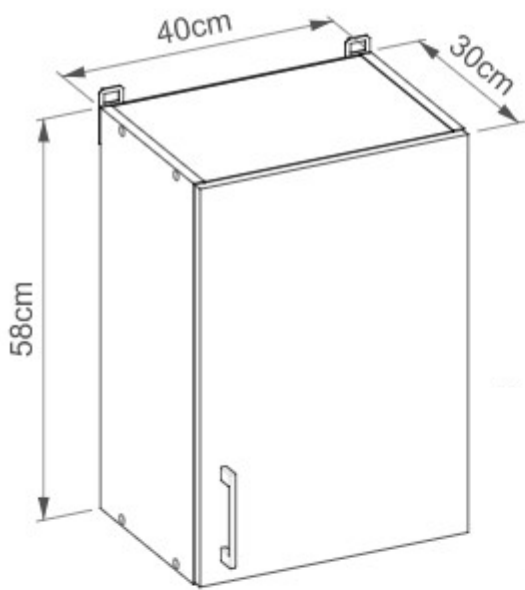


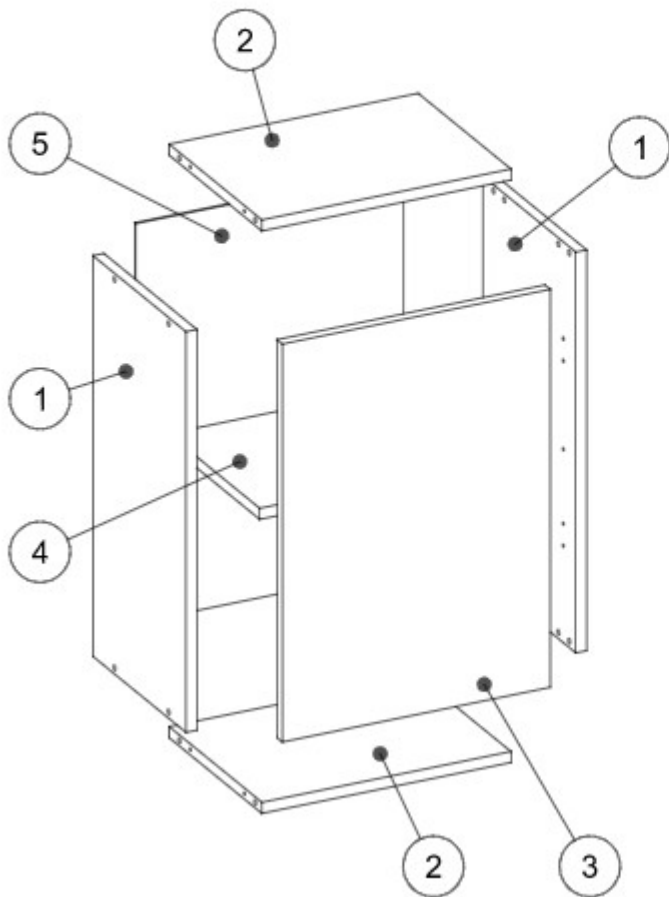
✓! ✗



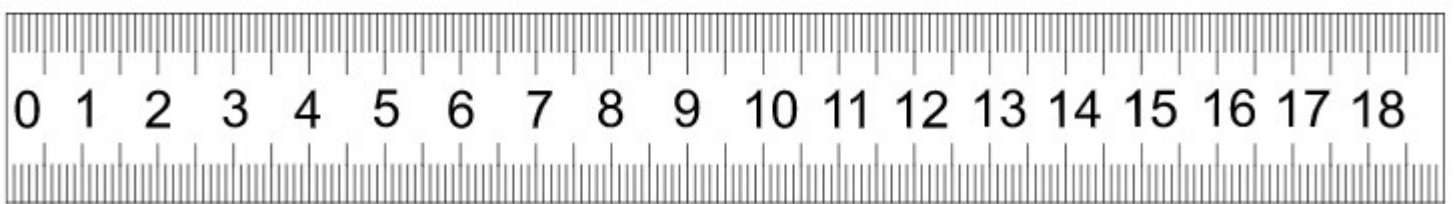
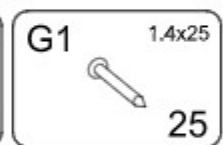
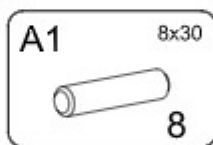
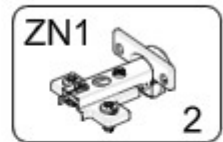
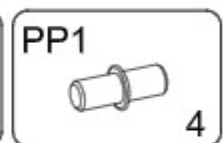
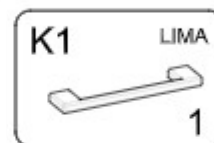
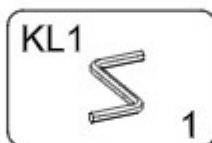
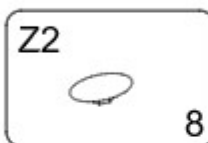
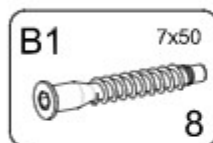


~90 min

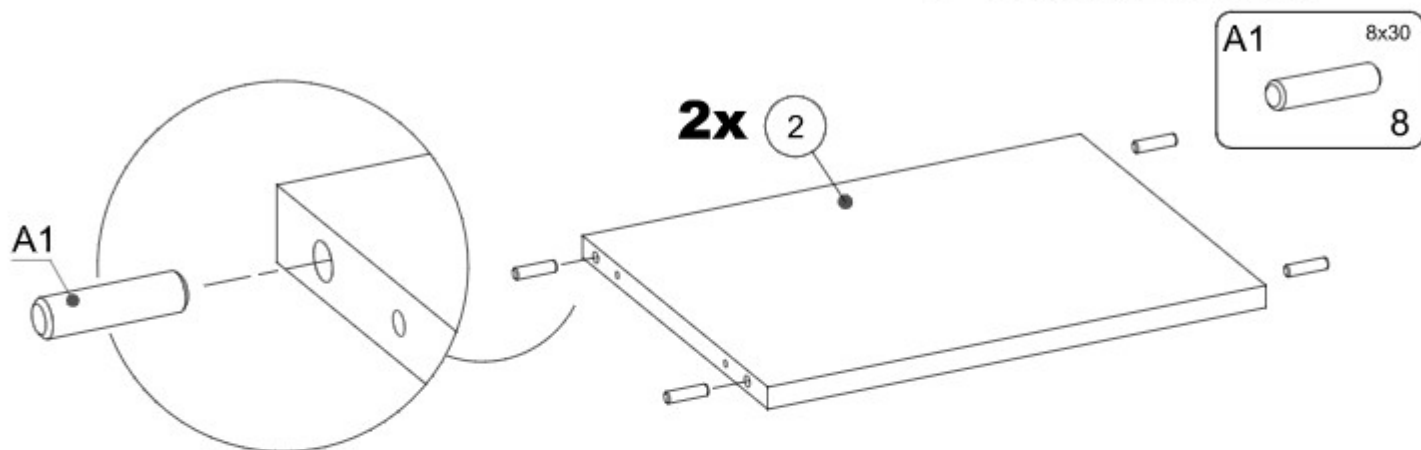




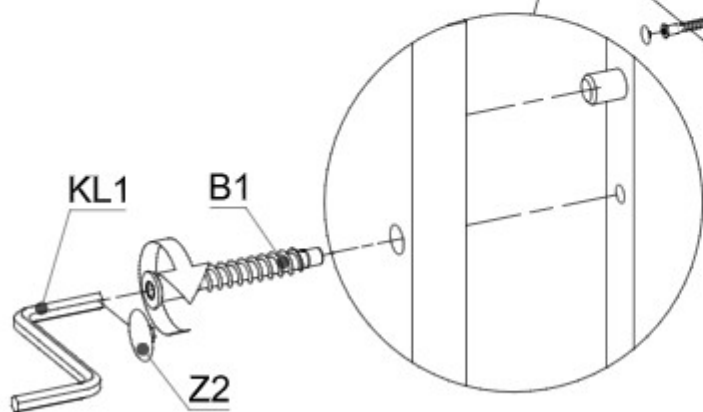
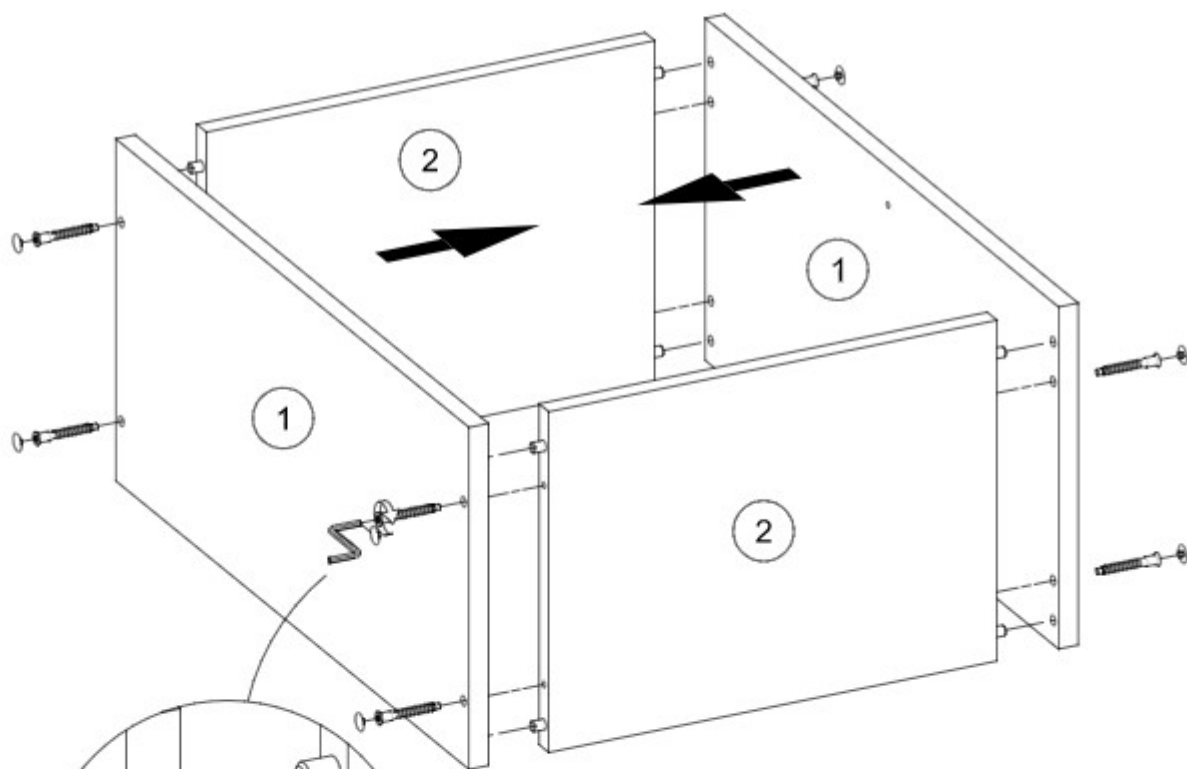
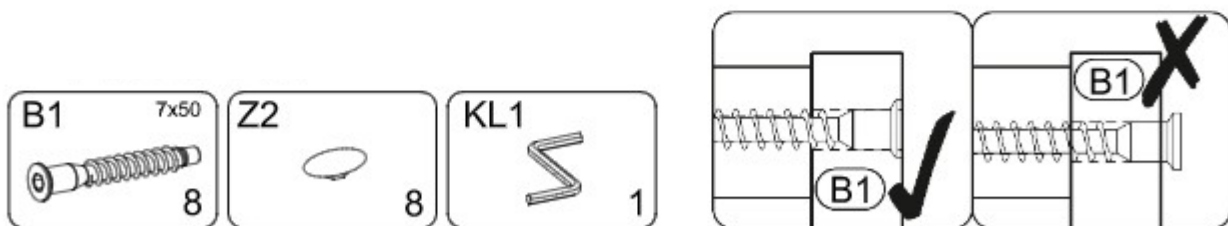
1	580x275x16mm	2
2	274x368x16mm	2
3	576x396x16mm	1
4	368x270x16mm	1
5	578x396x3mm	1



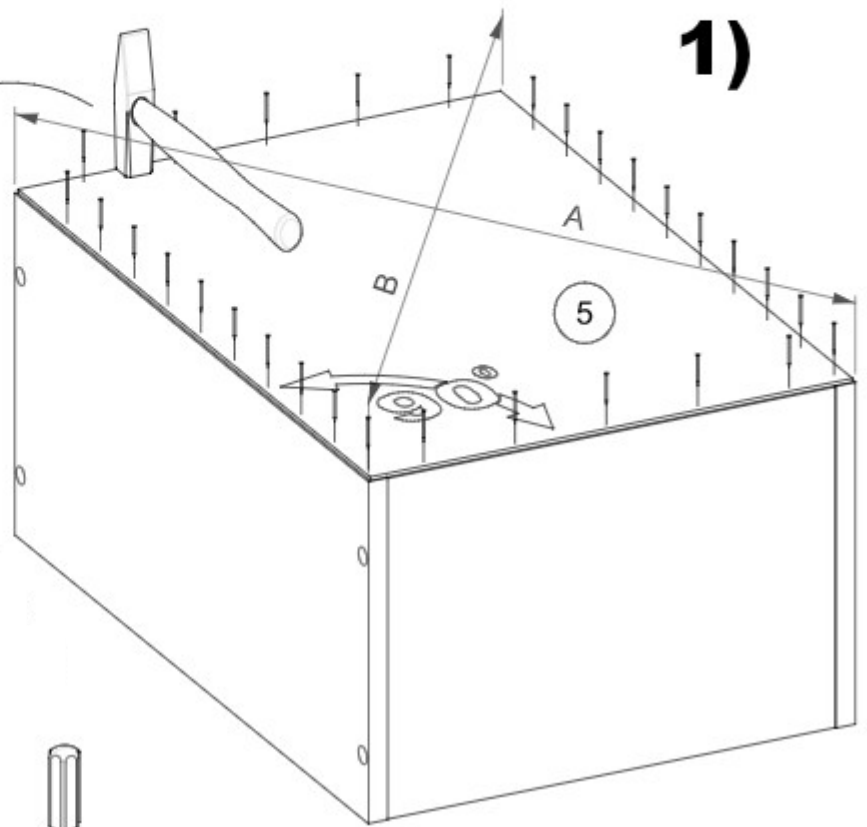
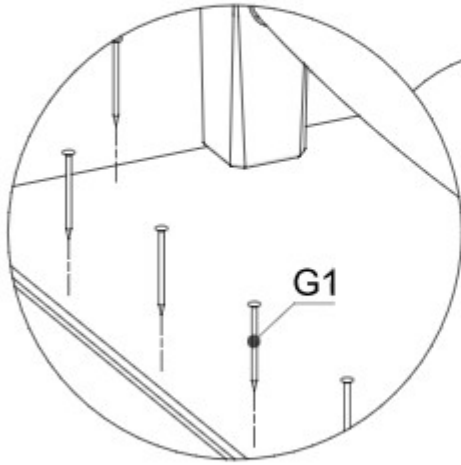
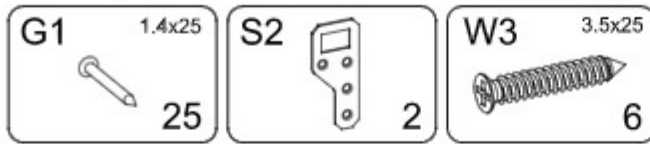
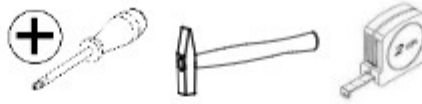
▶ 1



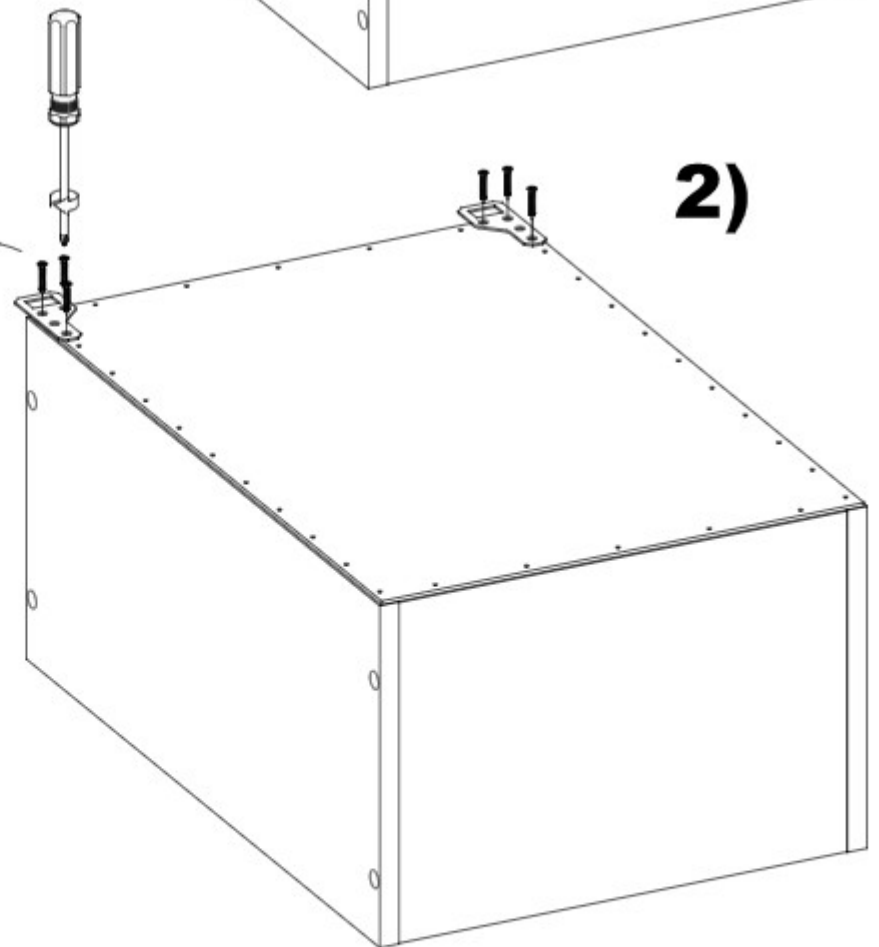
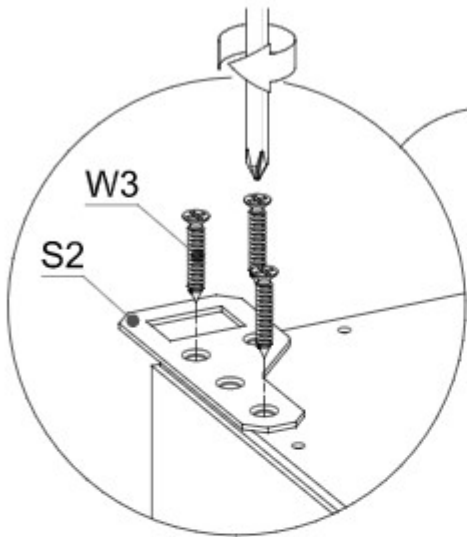
▶ 2



▶ 3



1)

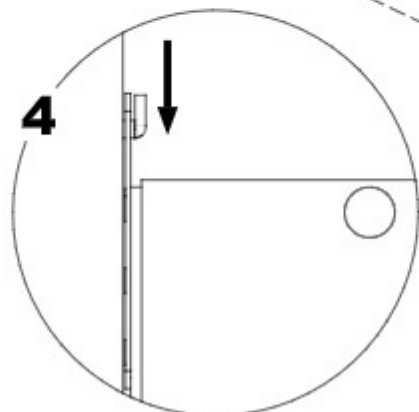
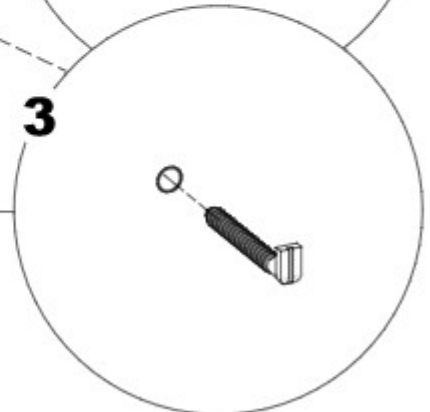
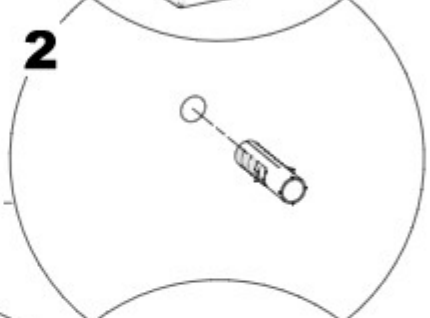
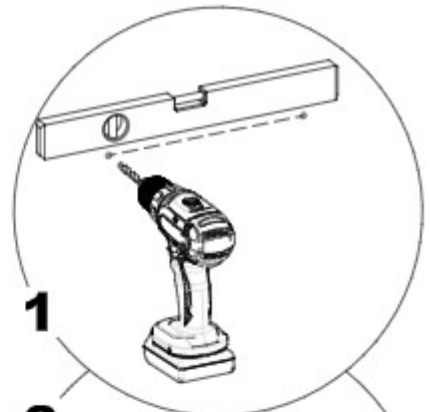
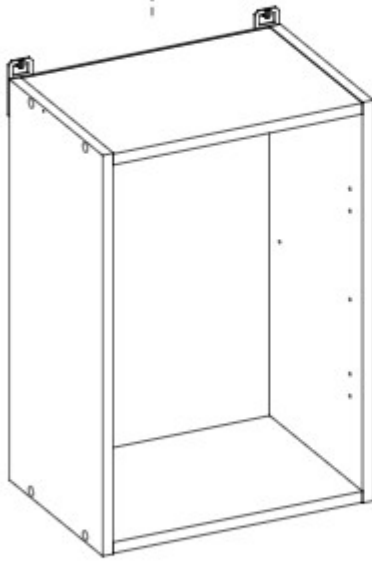


2)

▶ 4



x2

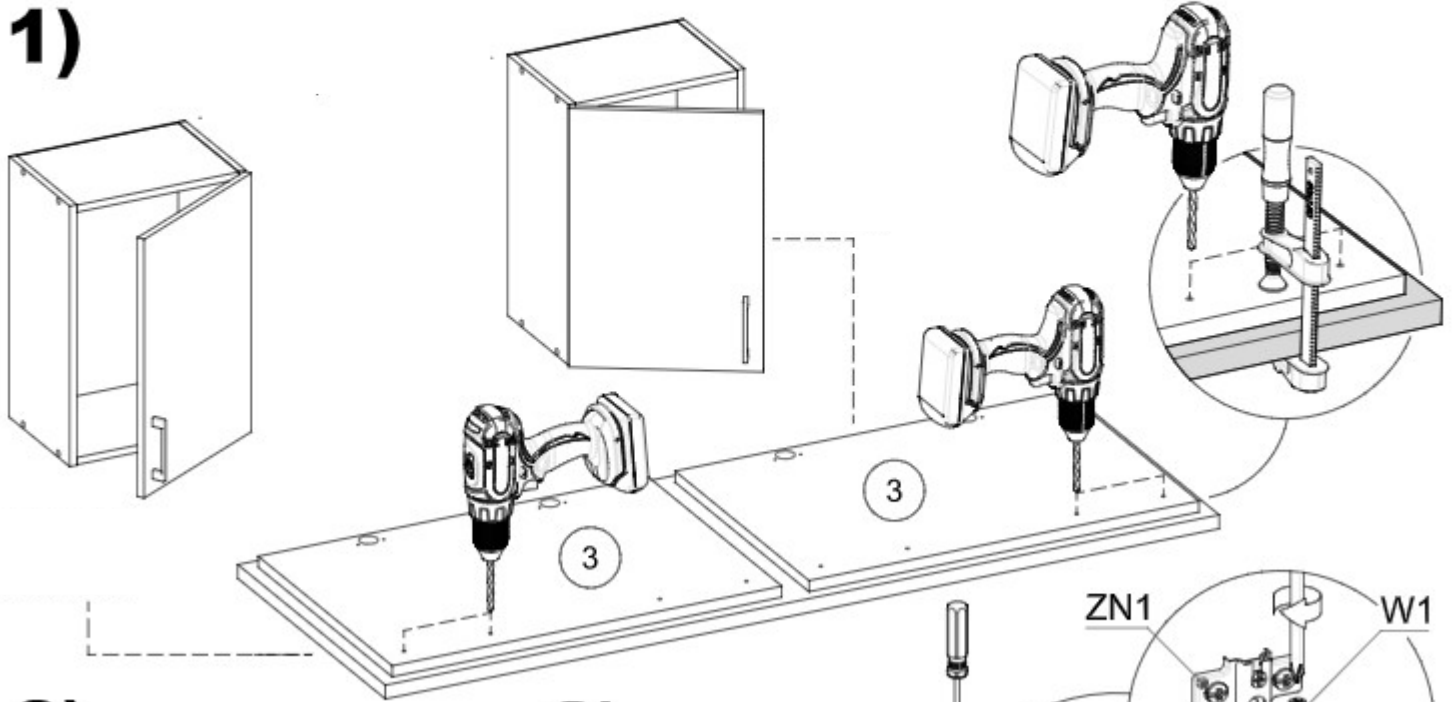


▶ 5

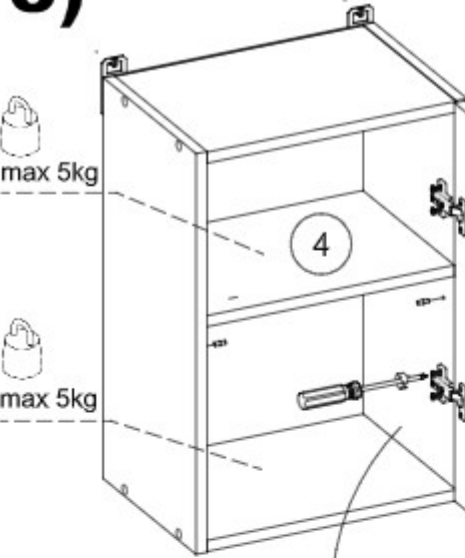


ZN1 2	W1 3.5x13 4	K1 LIMA 1	W4 4x28 2	PP1 4
---------------------	---------------------------	-------------------------	-------------------------	---------------------

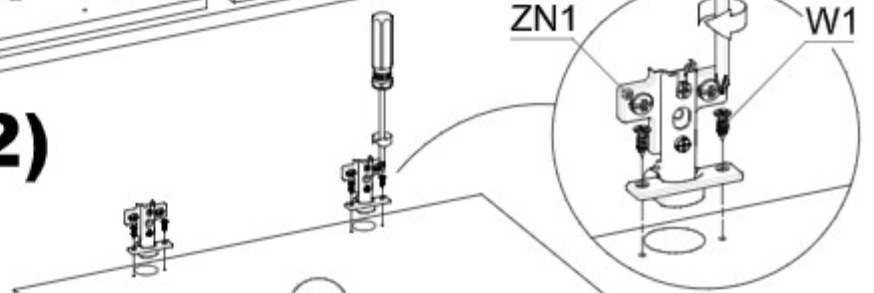
1)



3)

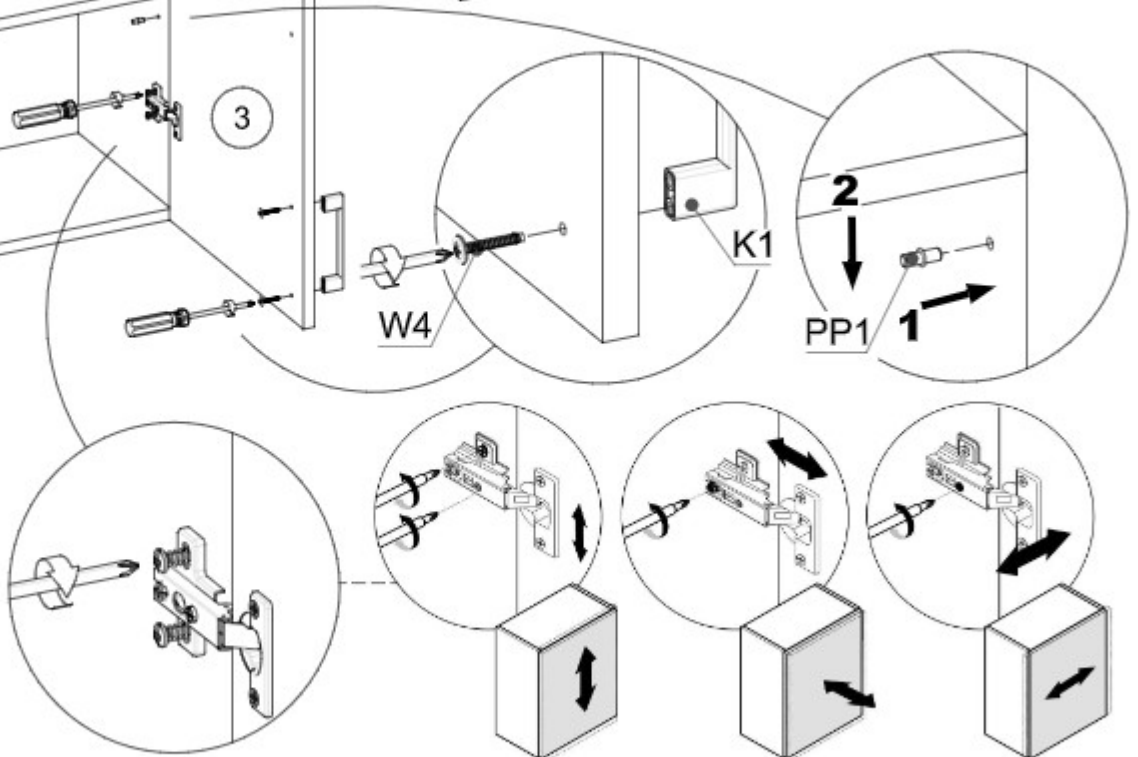
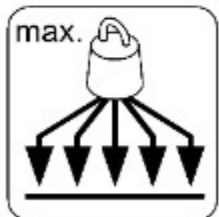


2)



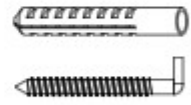
max 5kg

max 5kg

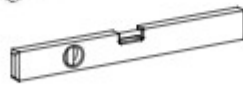
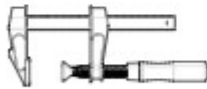




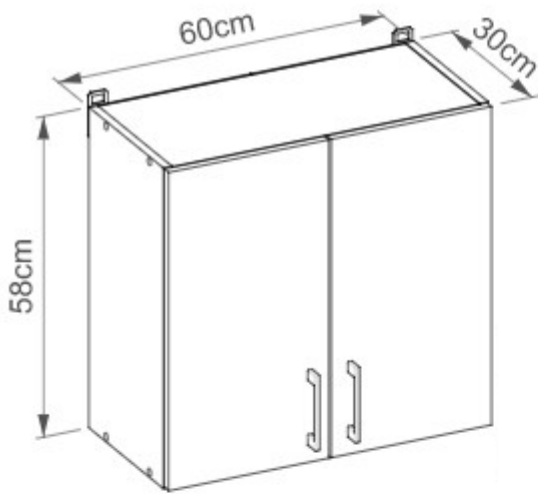
~90 min

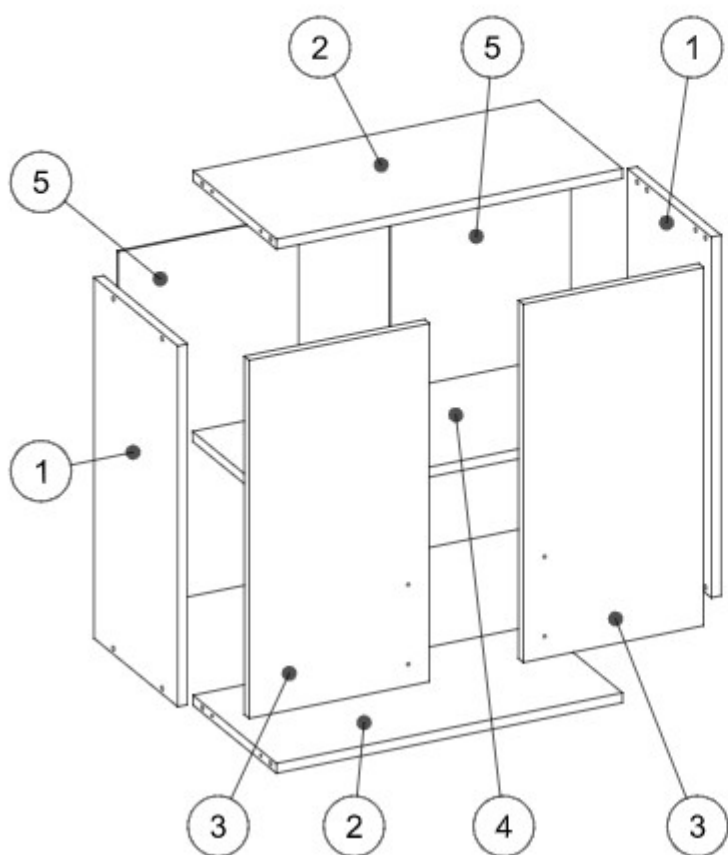


x2

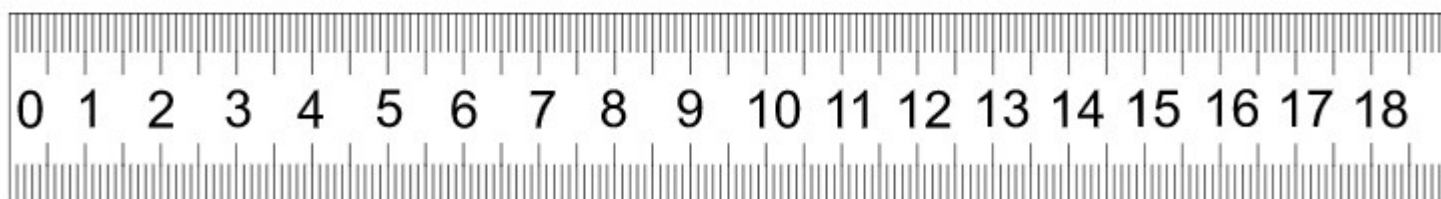
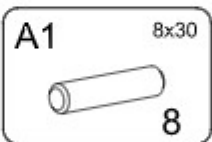
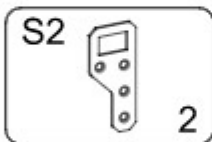
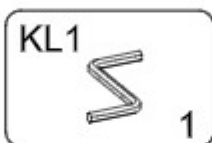
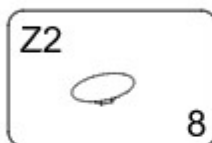
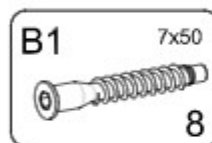


Ø 5mm

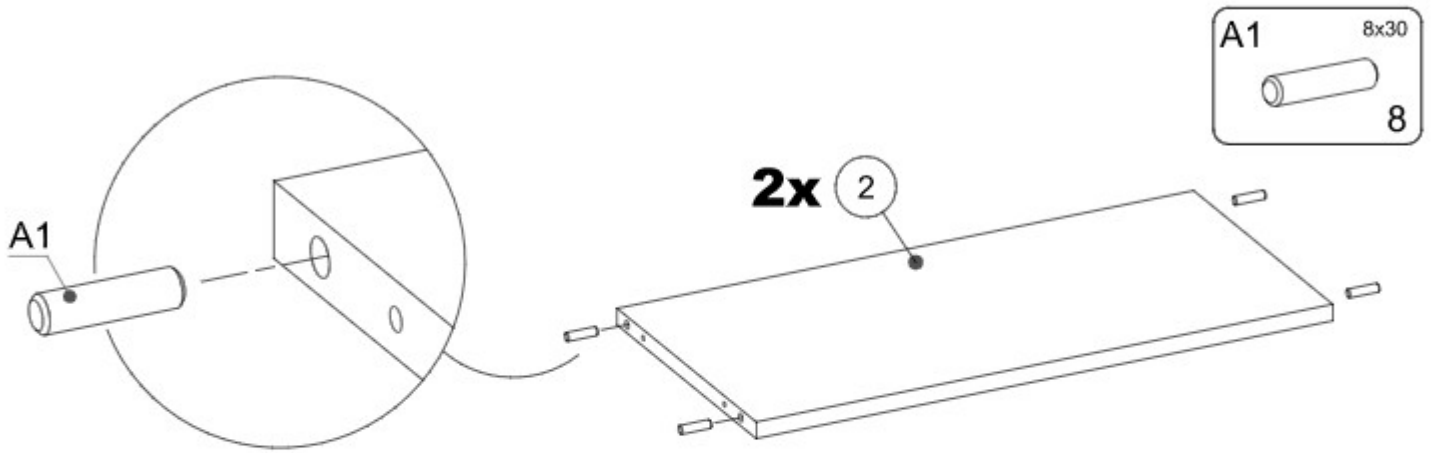




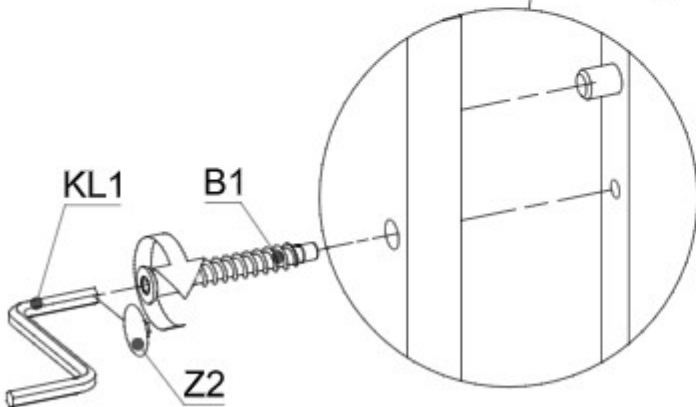
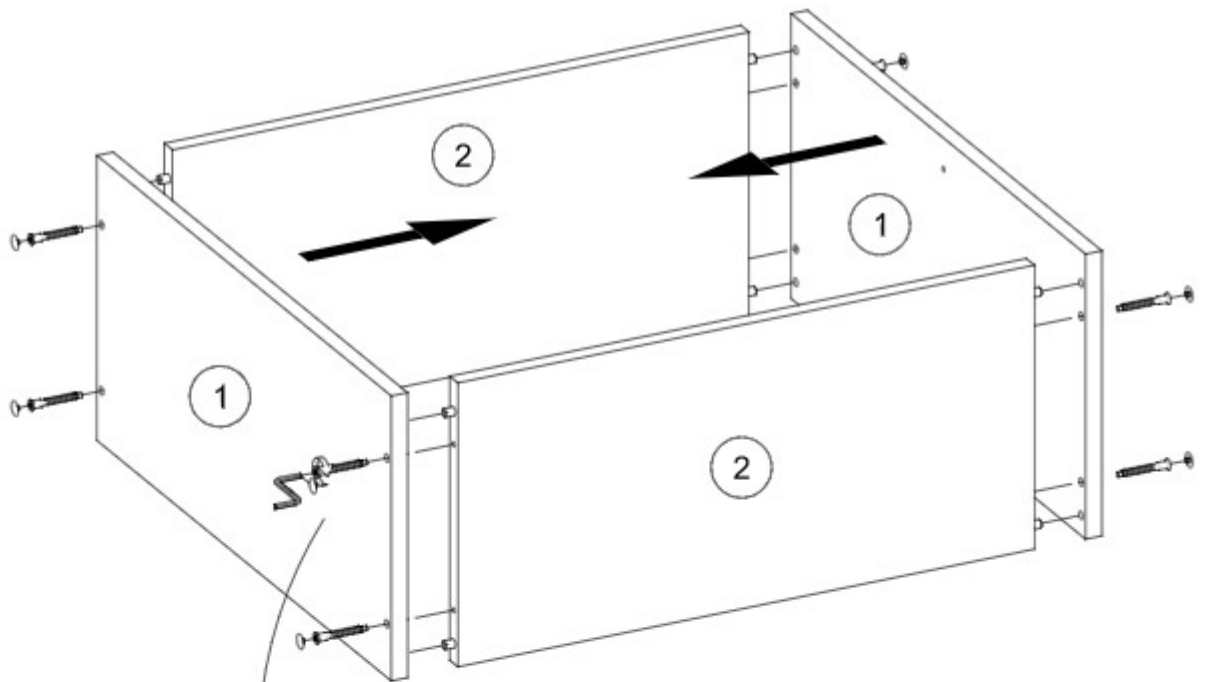
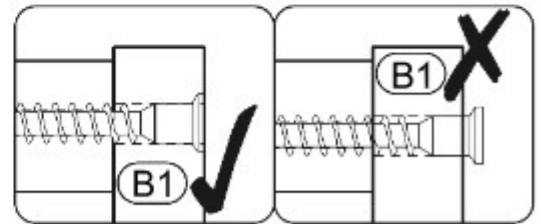
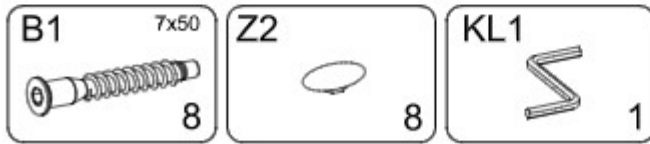
1	580x275x16mm	2
2	274x568x16mm	2
3	576x296x16mm	2
4	567x270x16mm	1
5	578x296x3mm	2



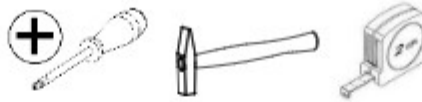
▶ 1



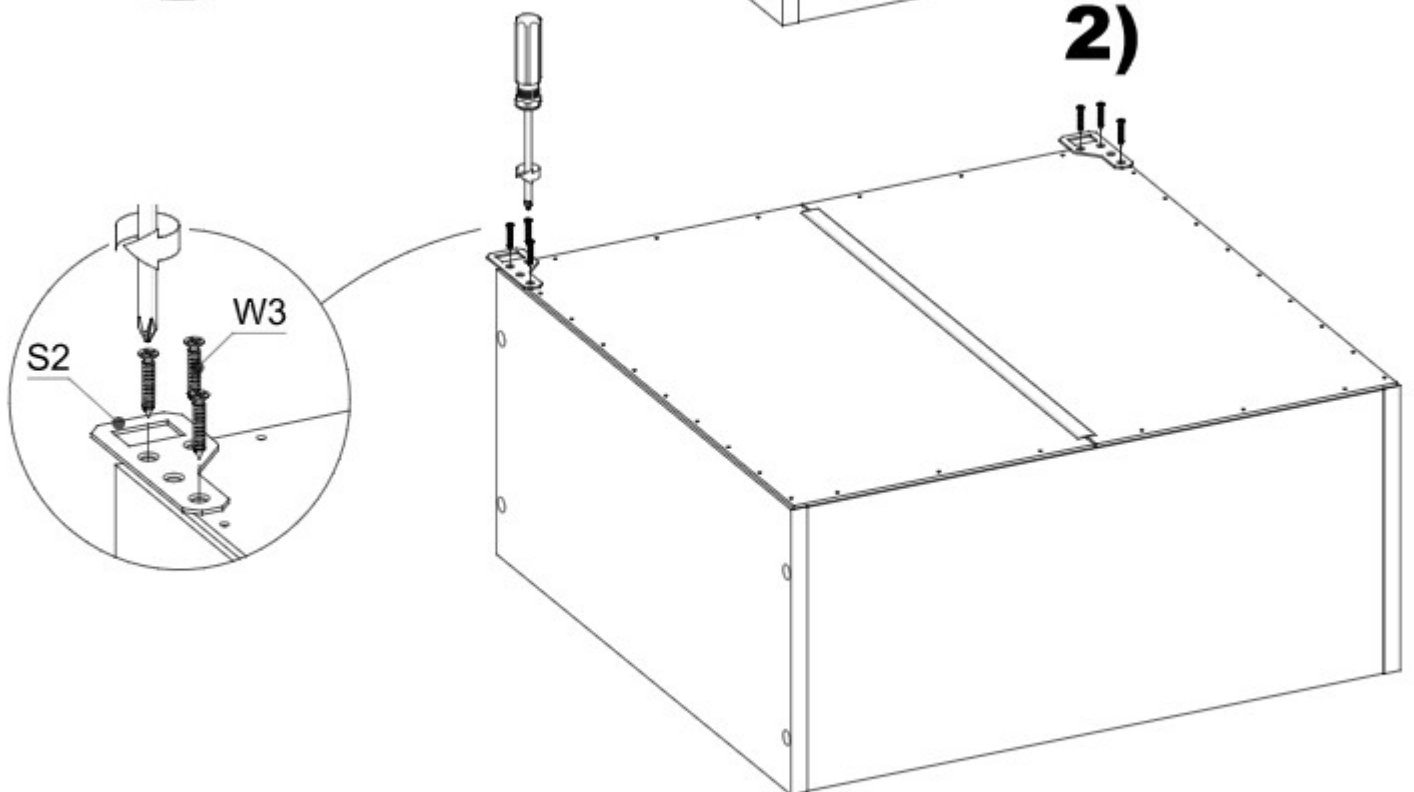
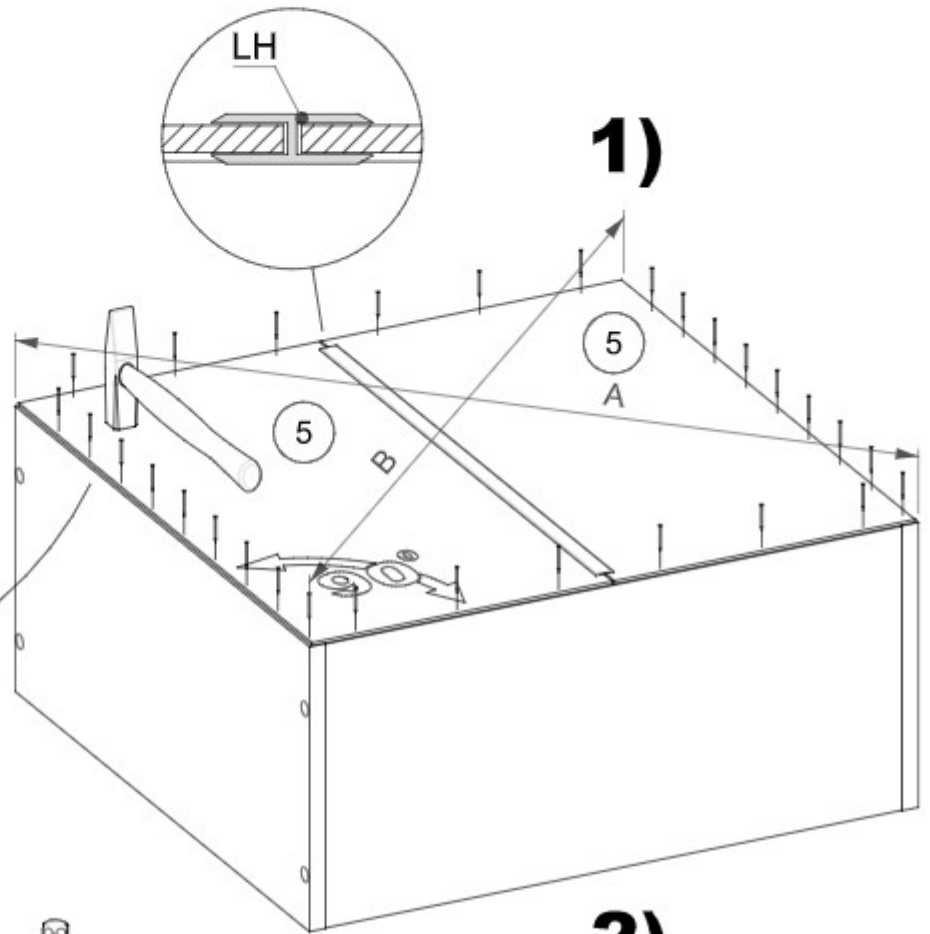
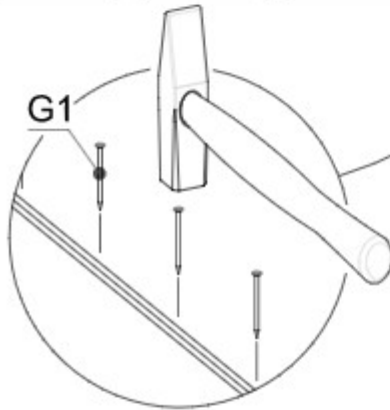
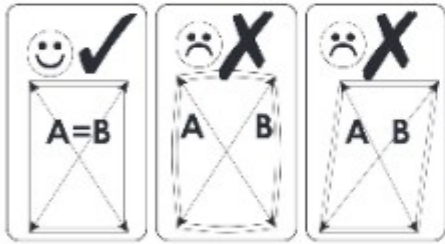
▶ 2



▶ 3



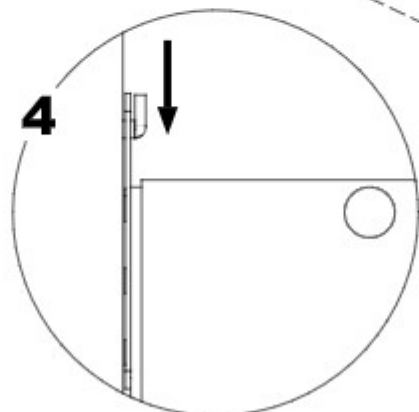
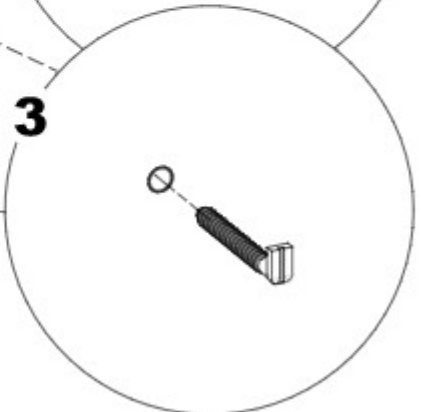
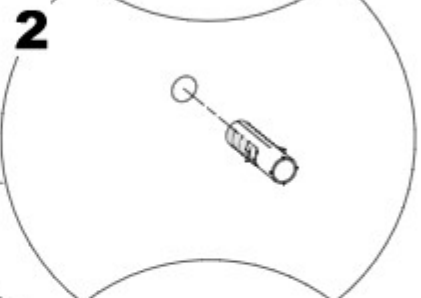
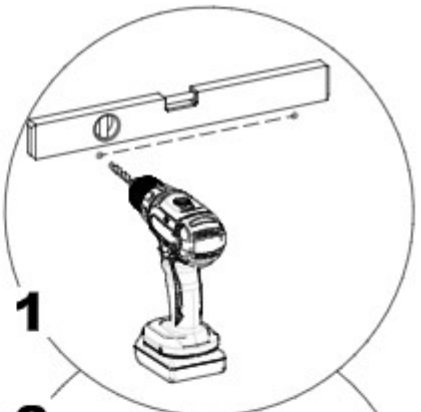
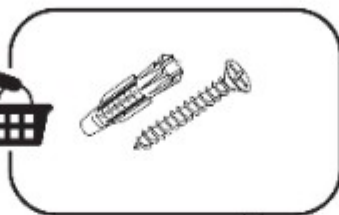
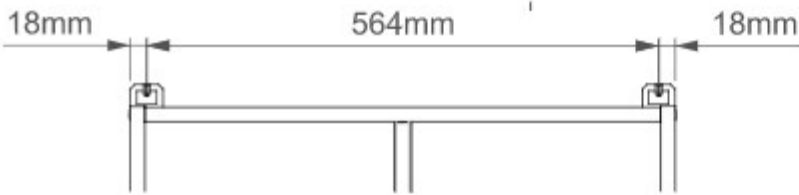
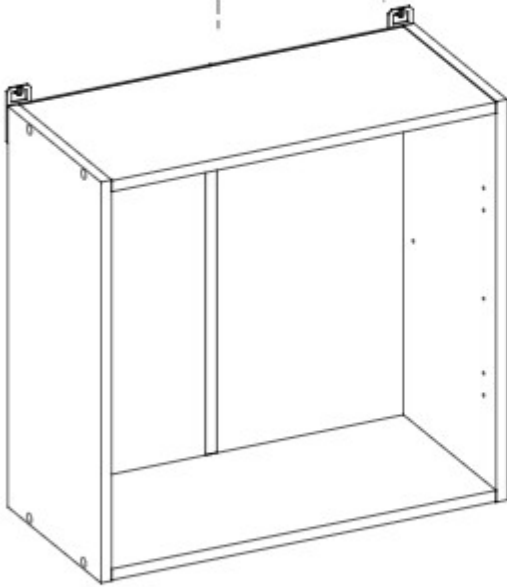
G1	1.4x25	S2	W3	3.5x25	LH	545mm	
	30		2		6		1



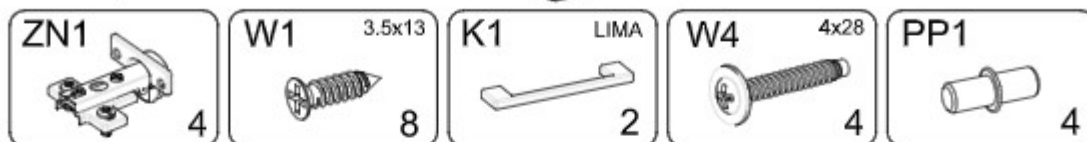
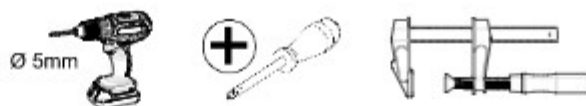
▶ 4



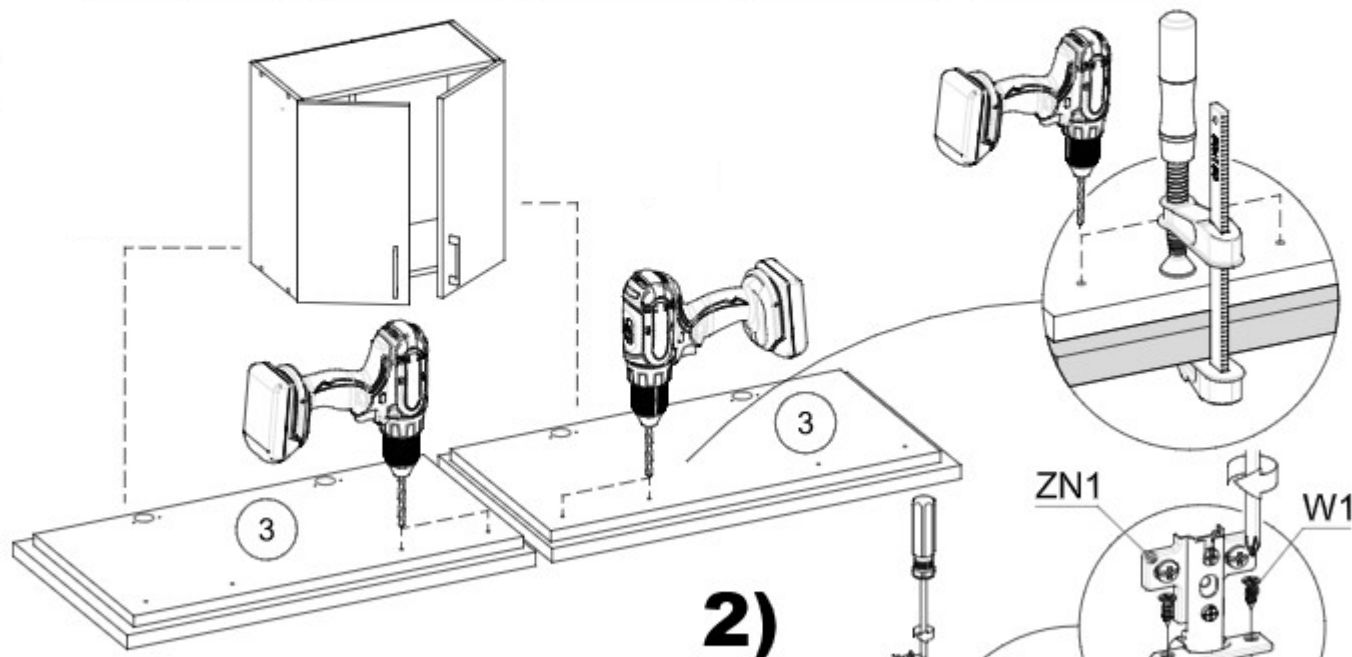
x2



► 5

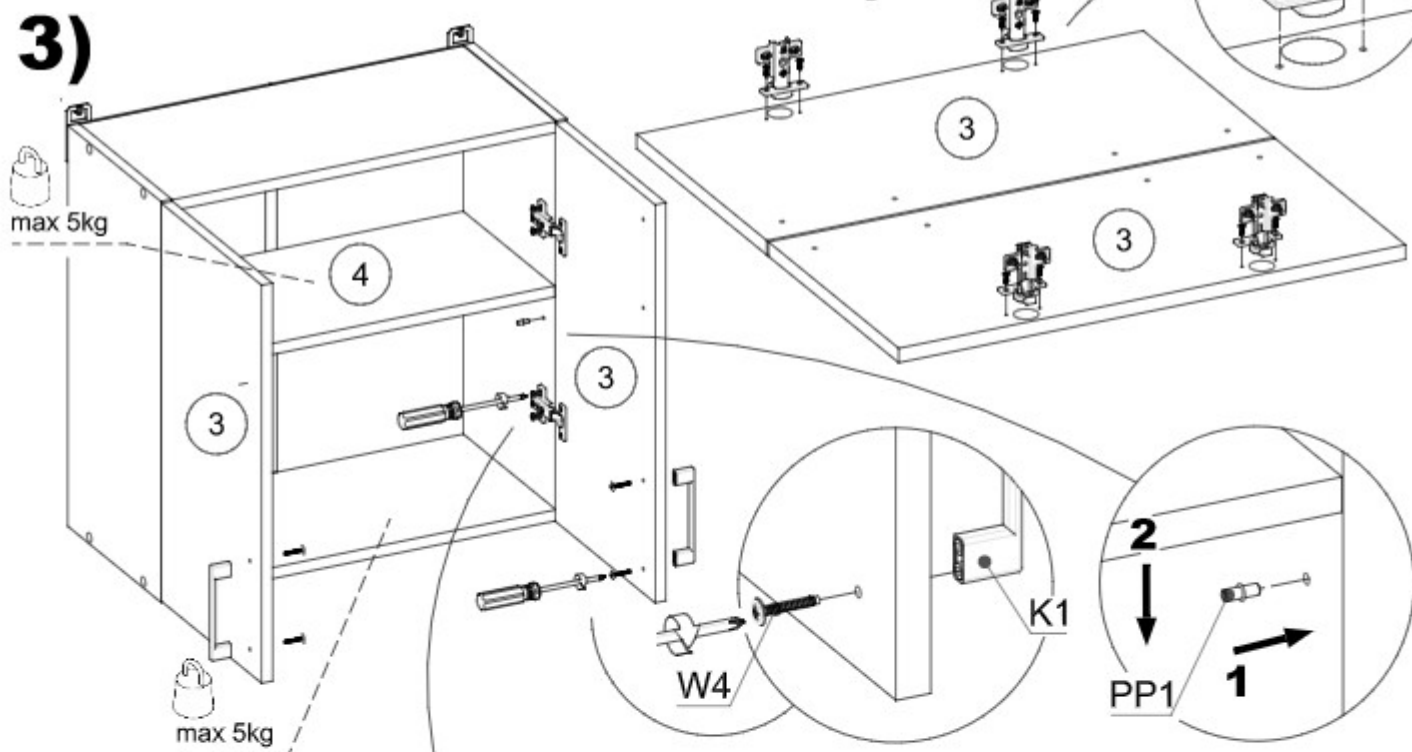


1)



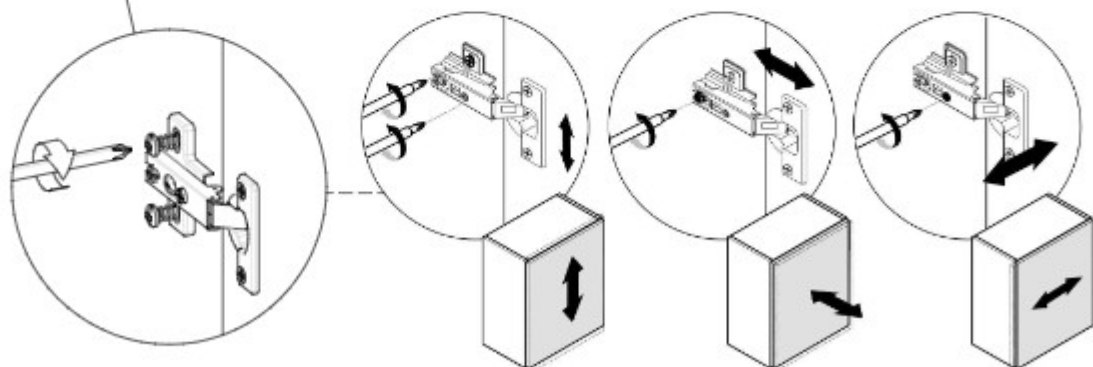
2)

3)

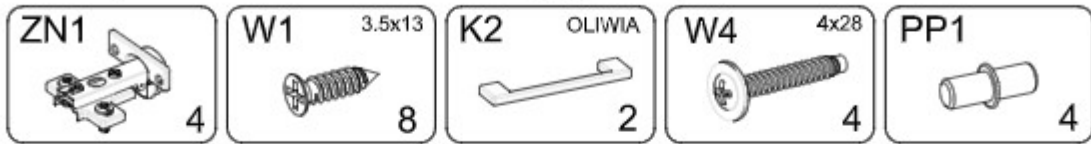


max 5kg

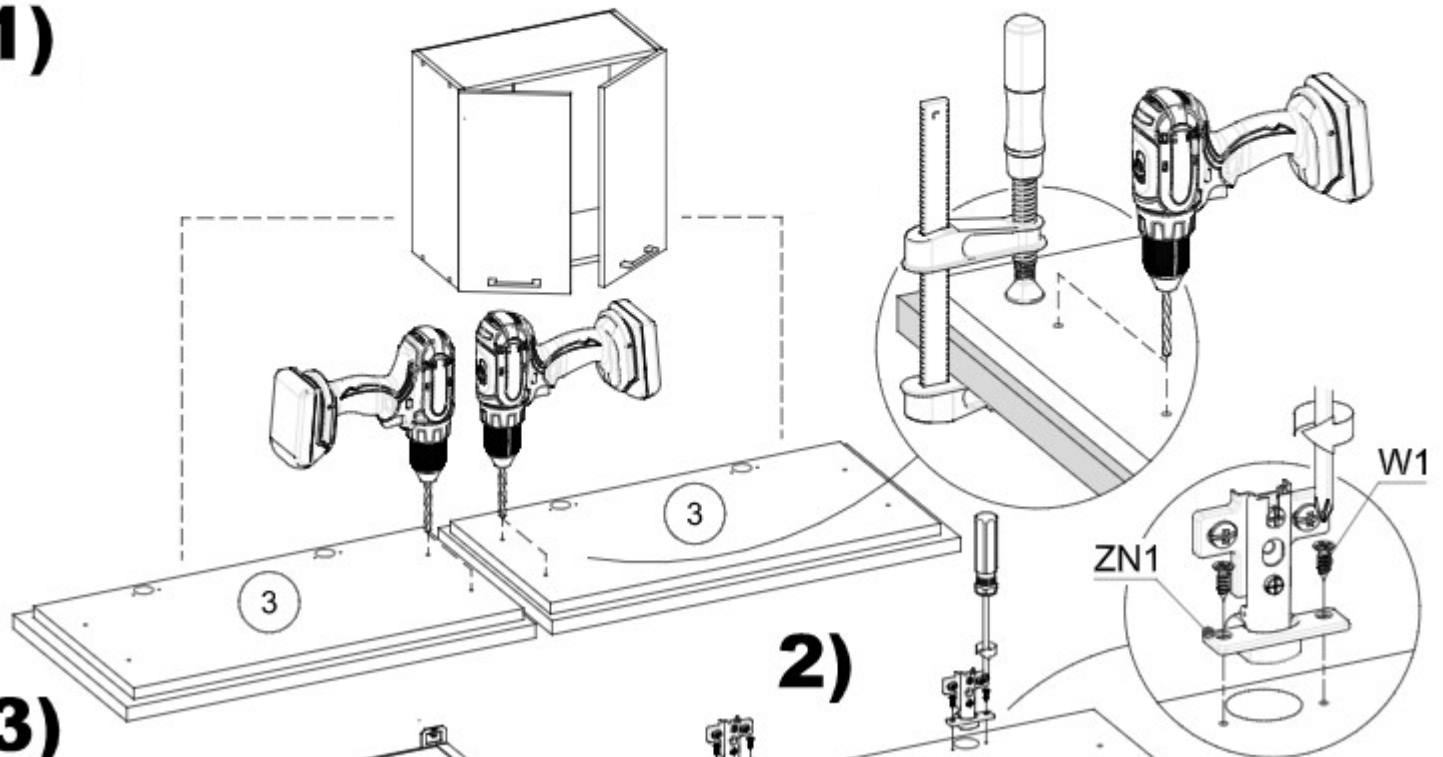
max 5kg



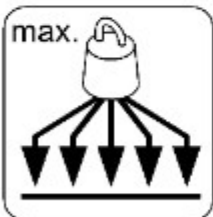
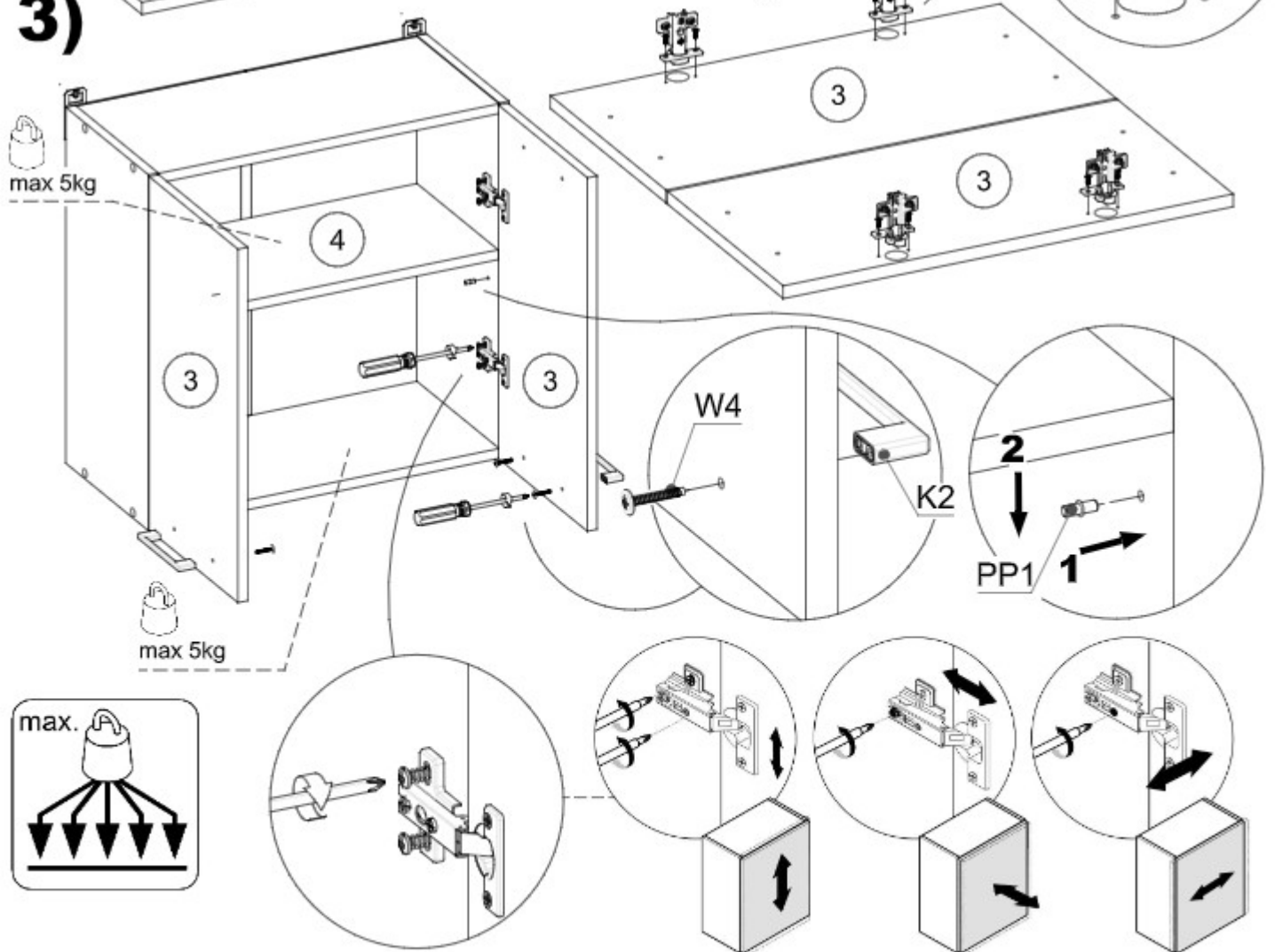
▶ 6



1)

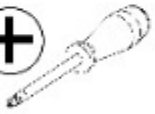


3)





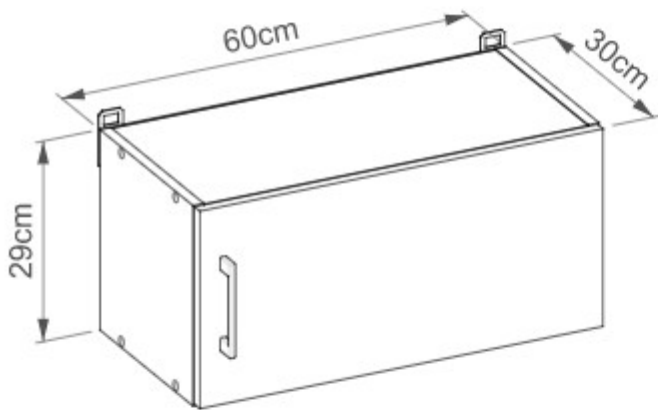
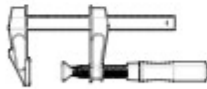
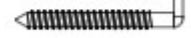
~90 min



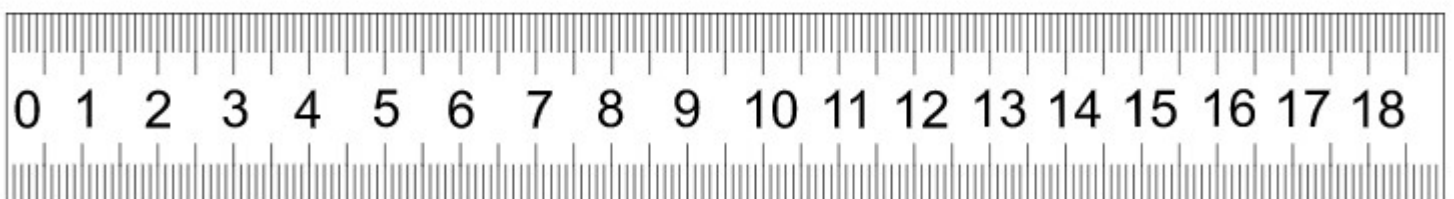
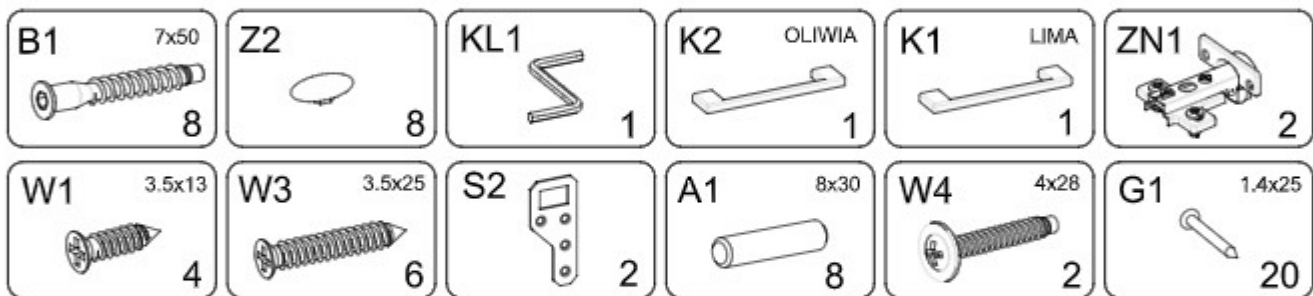
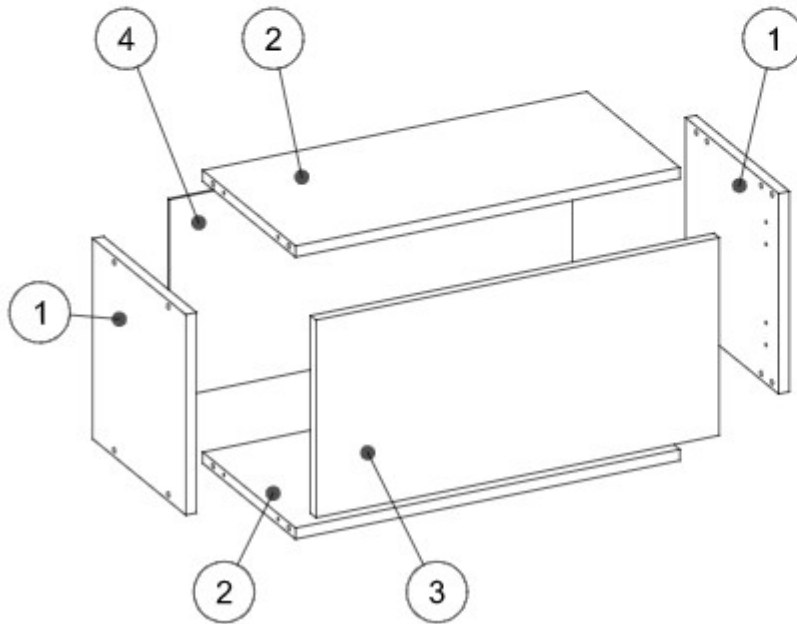
Ø 5mm



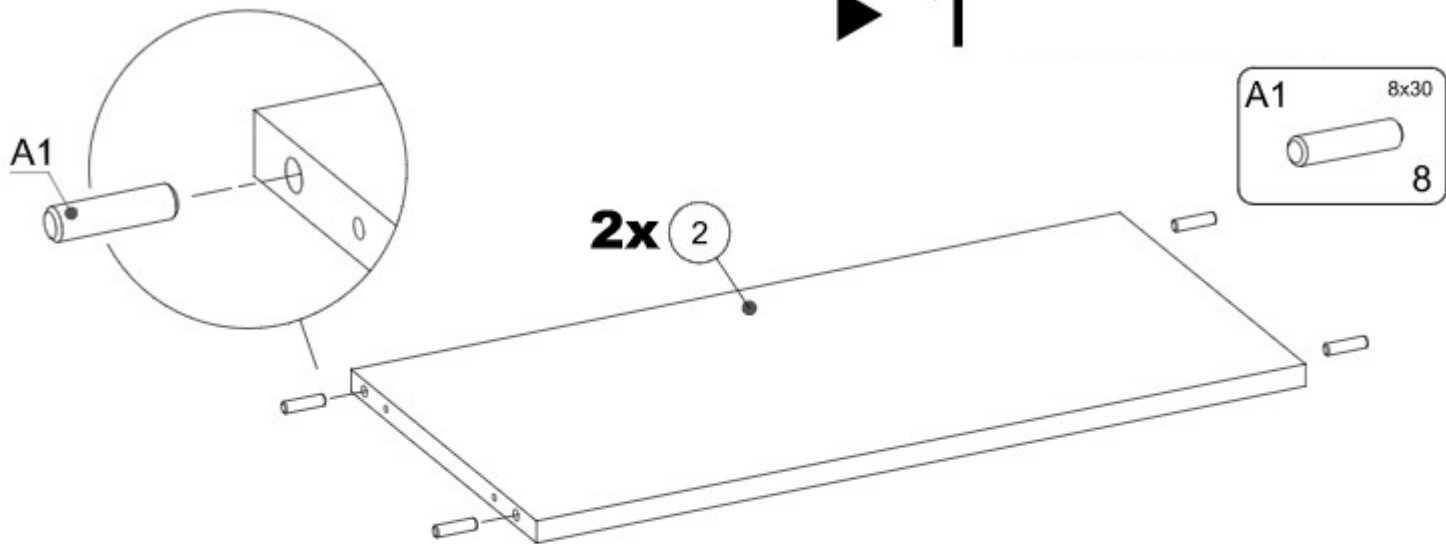
x2



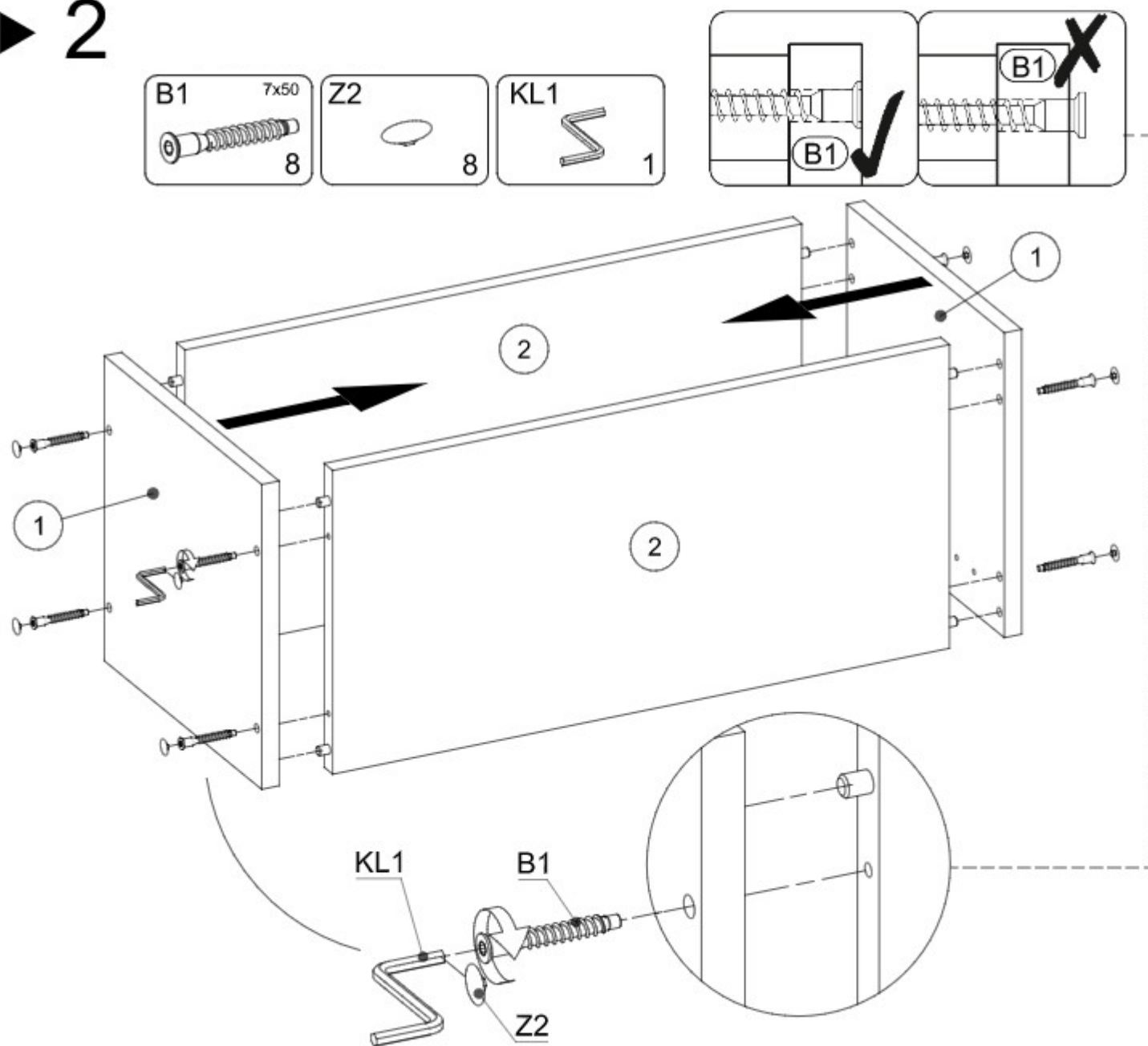
1	290x275x16mm	2
2	274x568x16mm	2
3	286x596x16mm	1
4	288x596x3mm	1



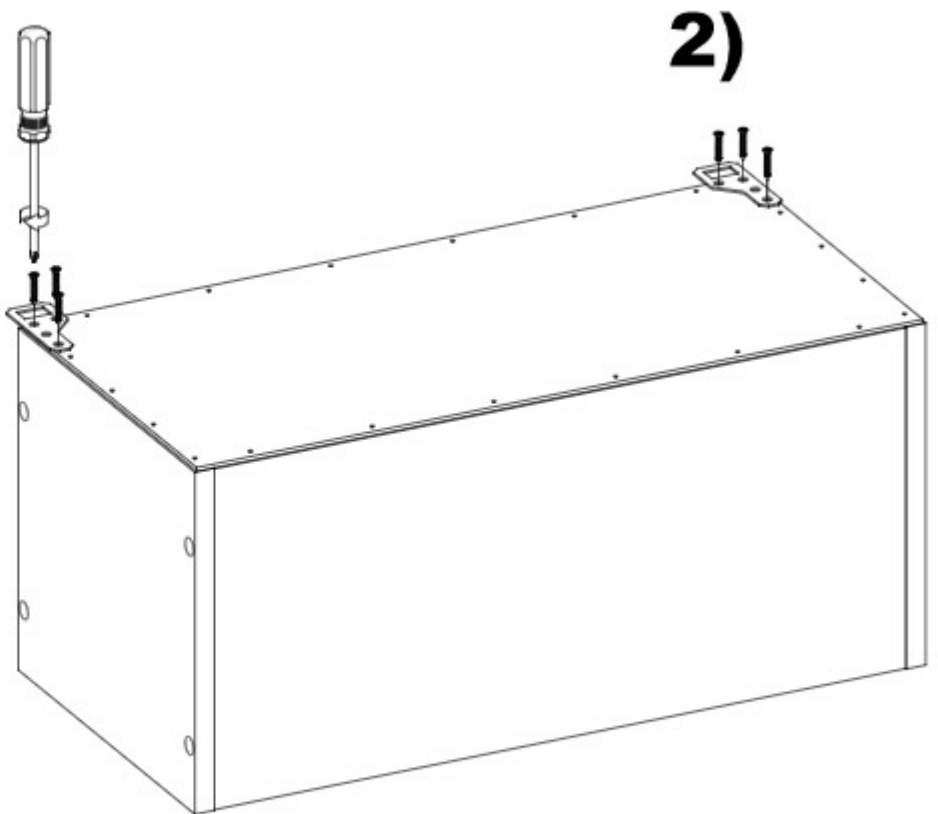
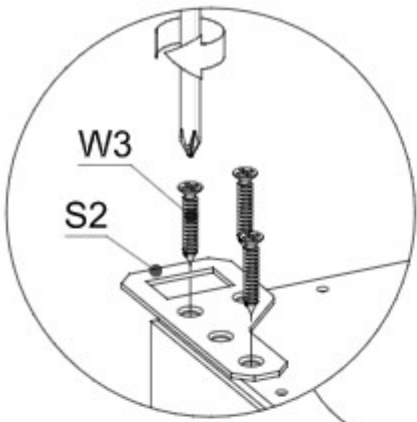
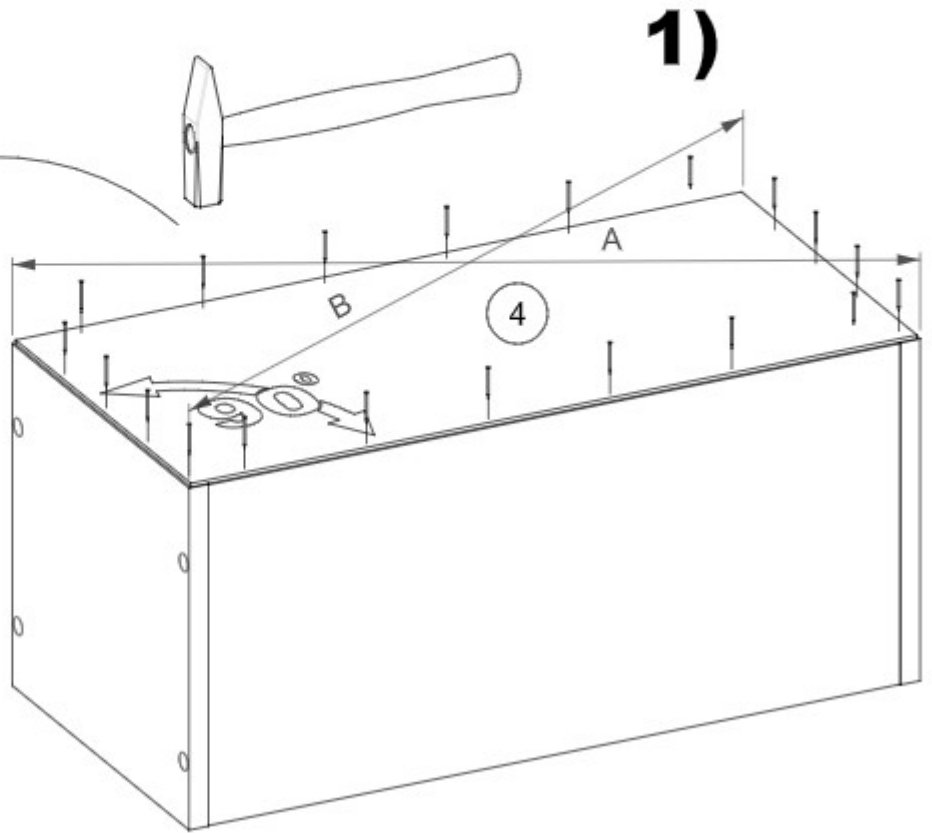
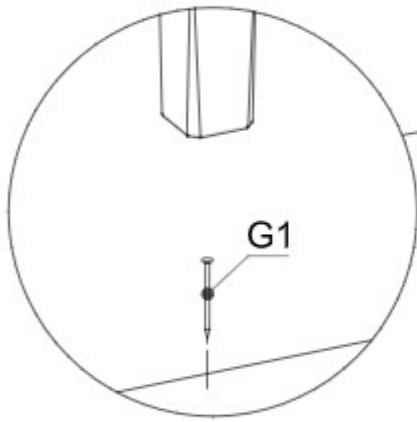
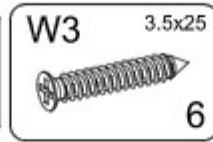
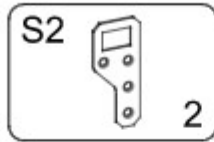
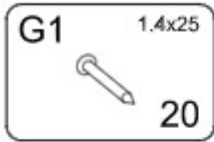
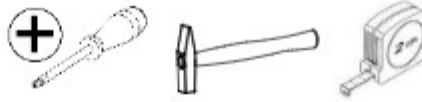
▶ 1



▶ 2



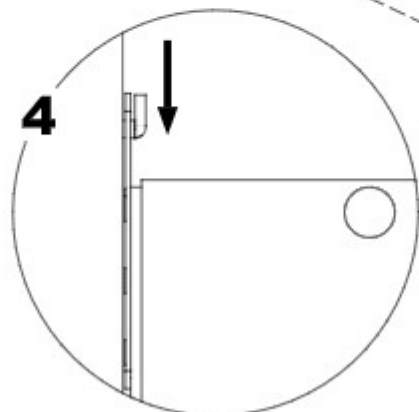
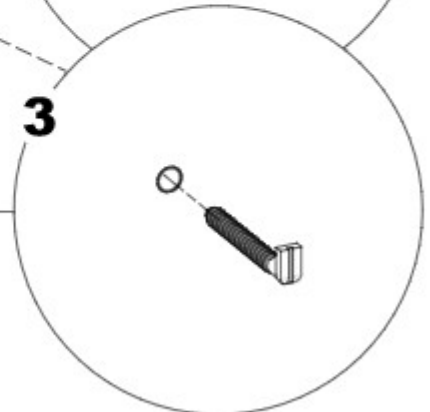
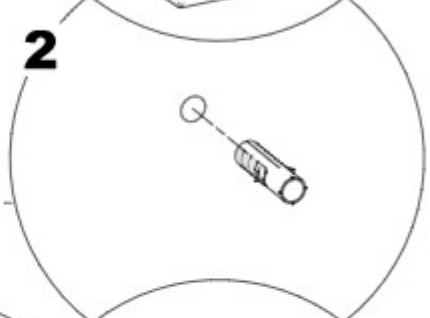
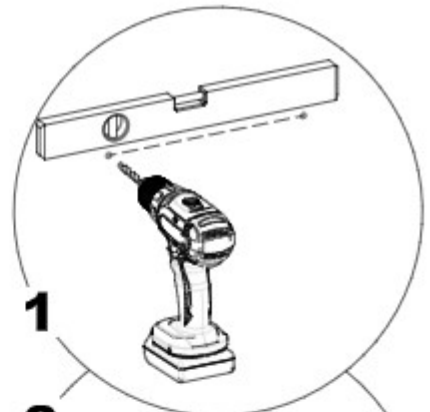
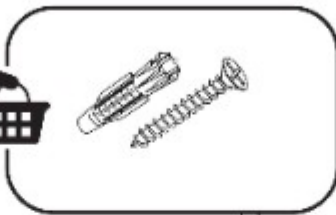
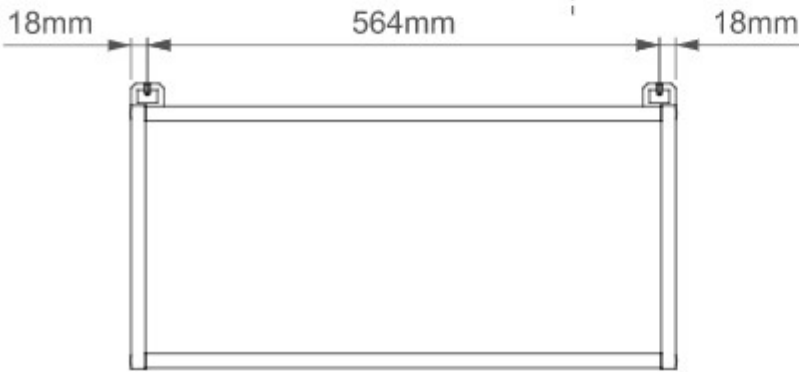
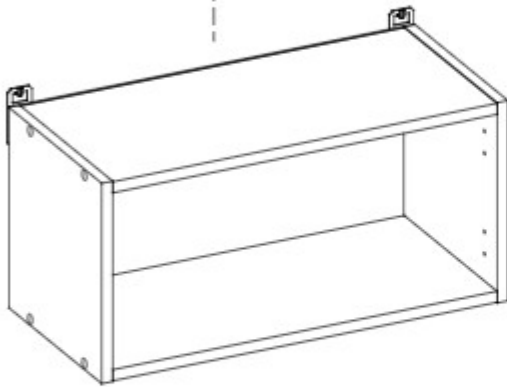
▶ 3



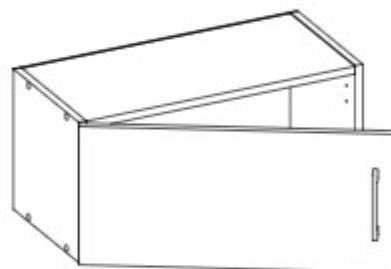
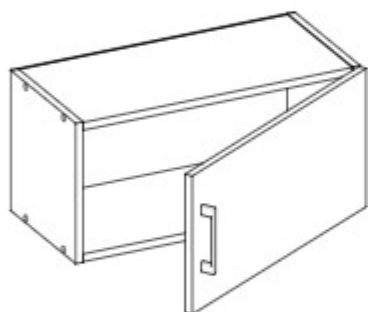
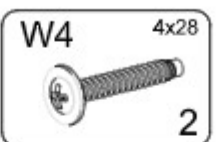
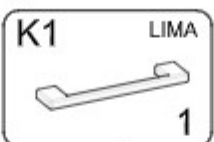
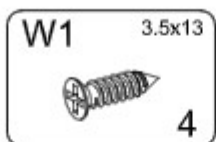
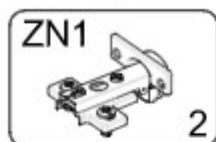
▶ 4



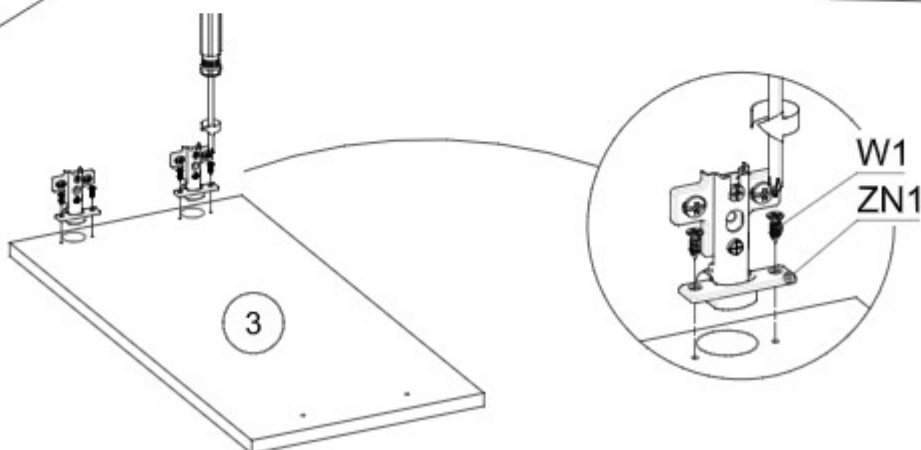
x2



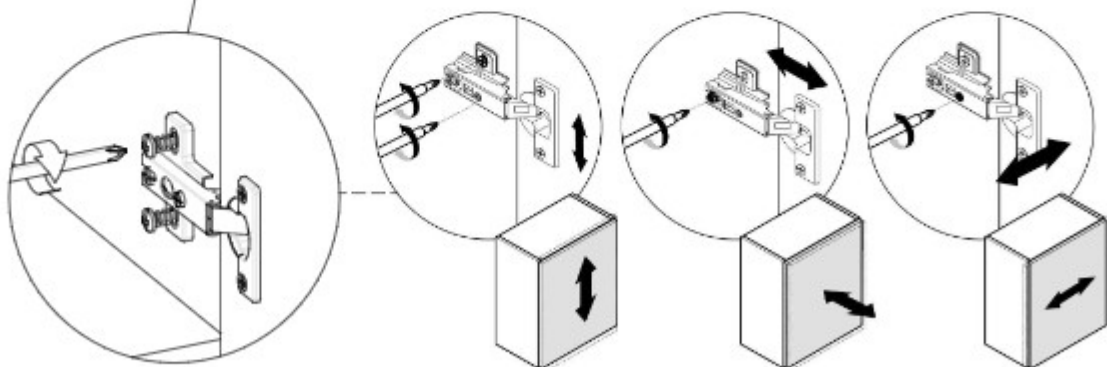
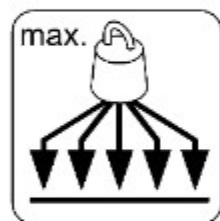
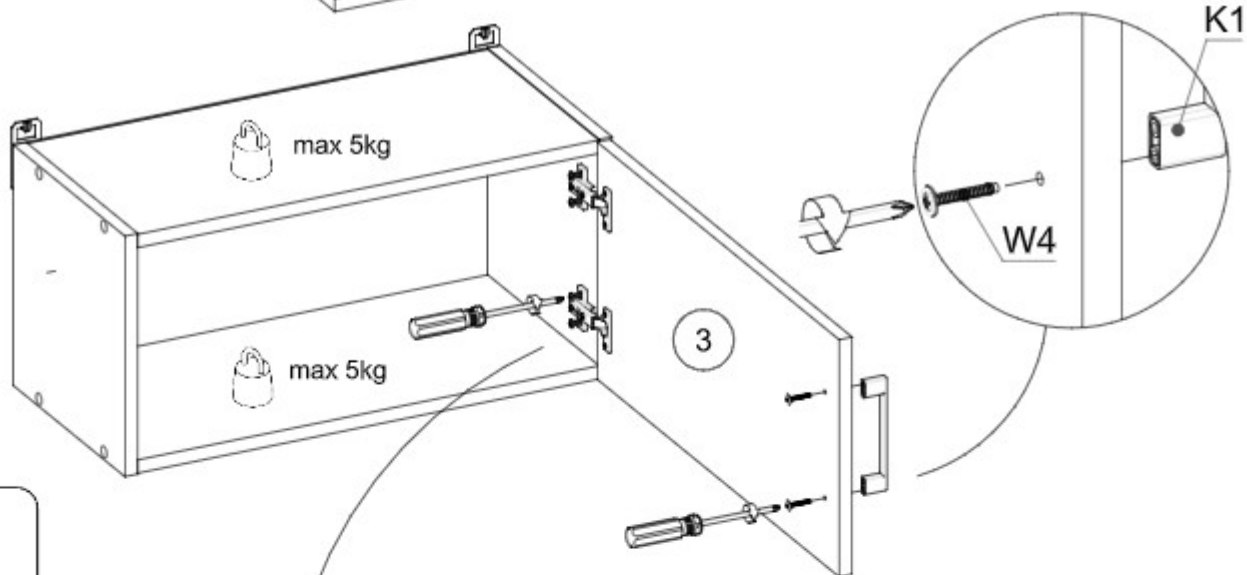
► 5



1)

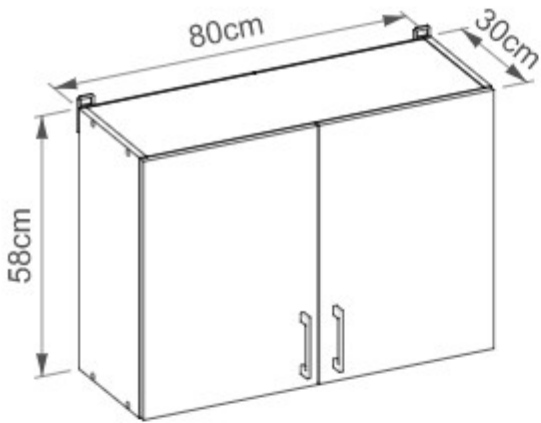


2)

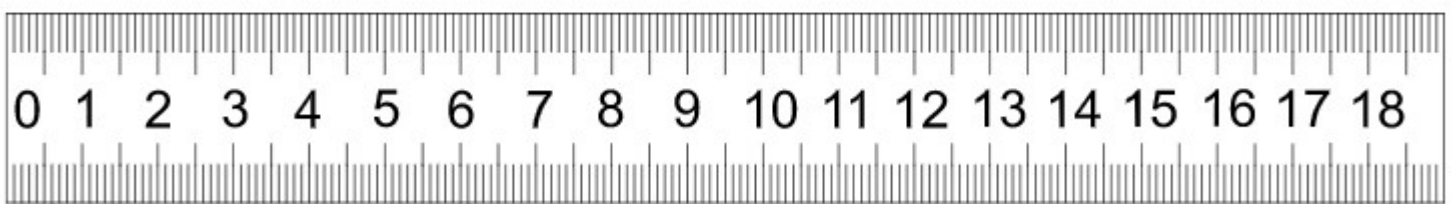
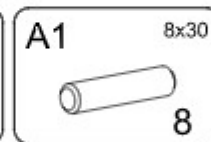
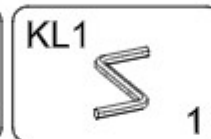
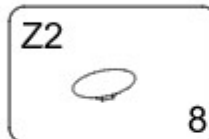
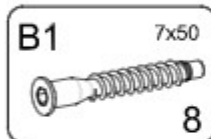
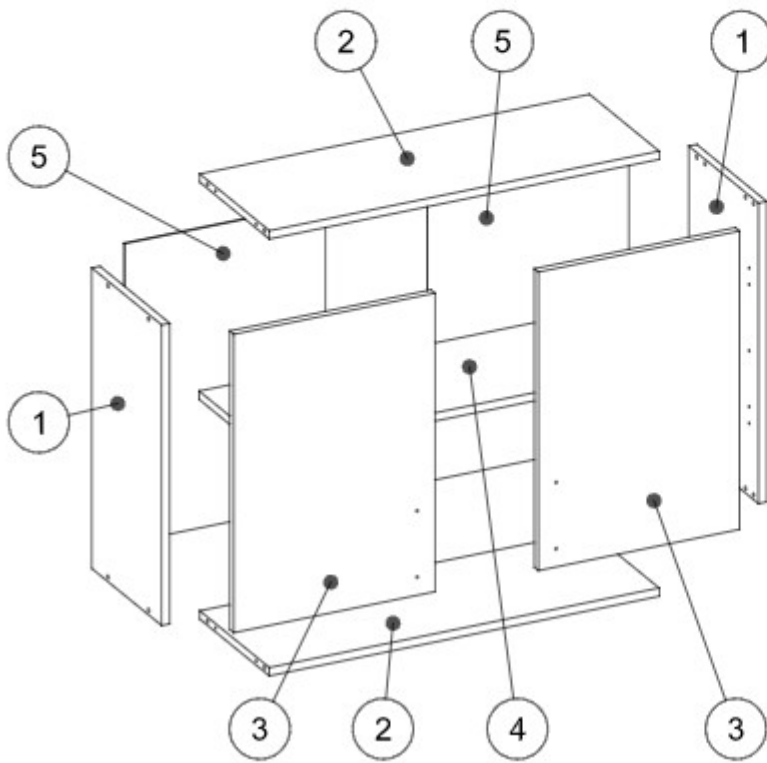




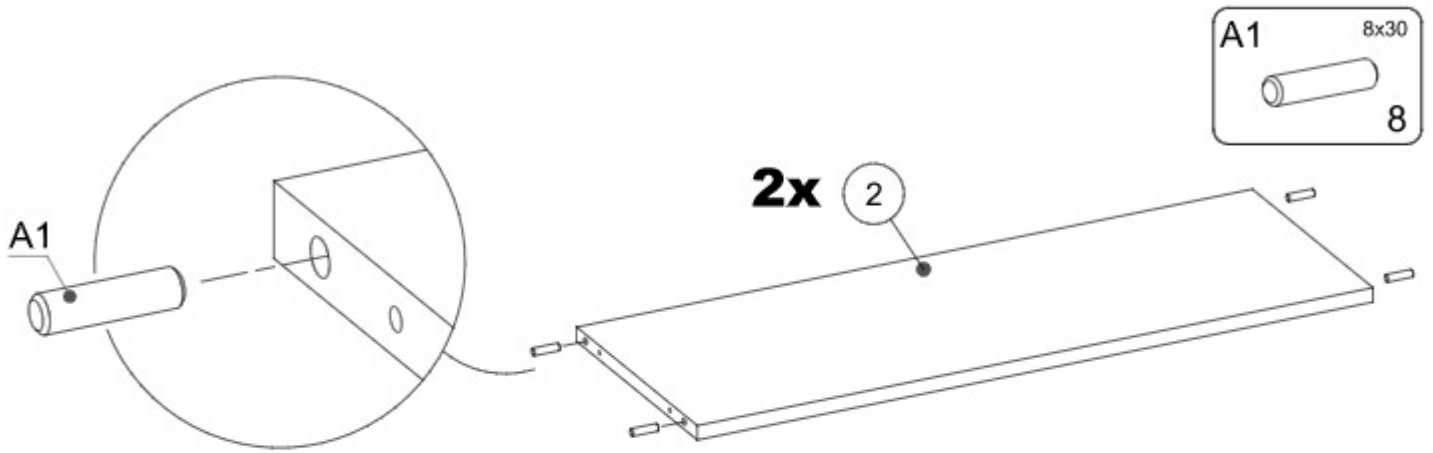
~90 min



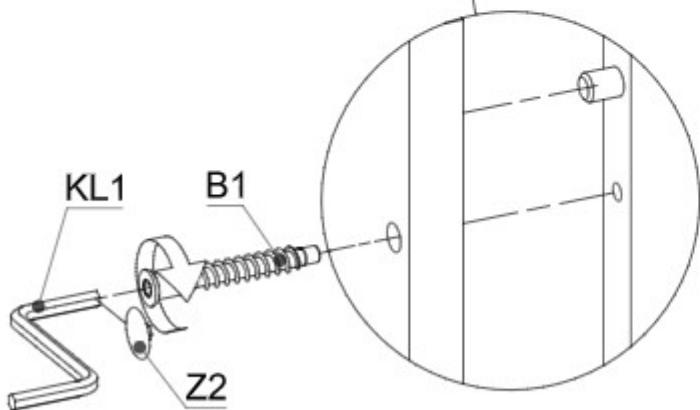
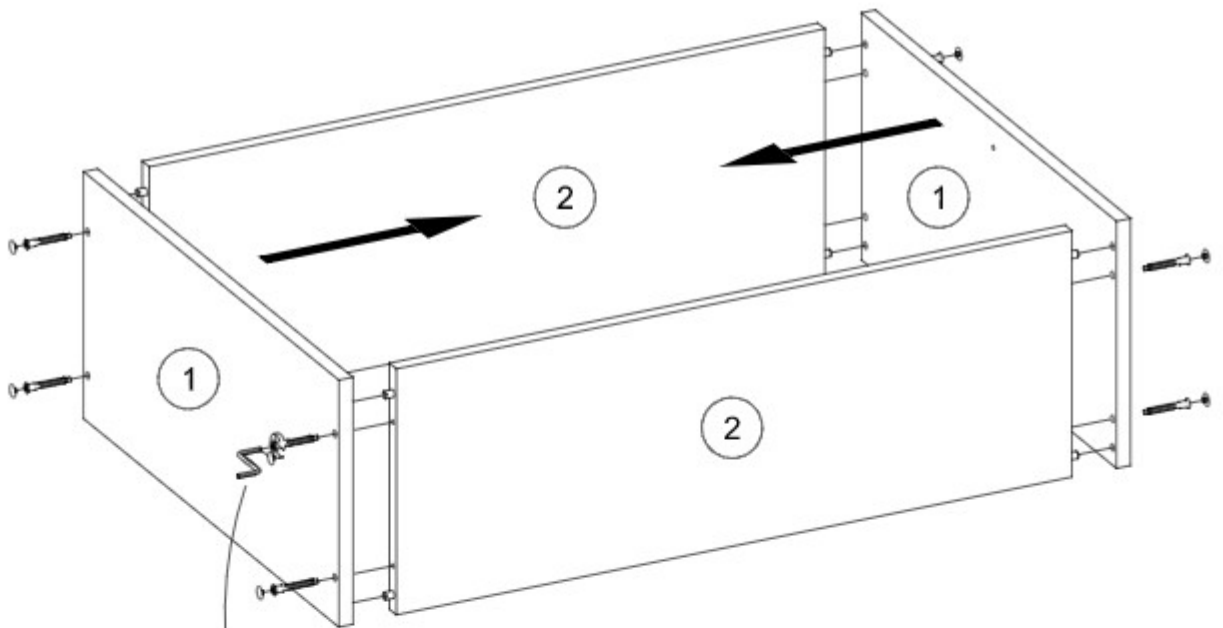
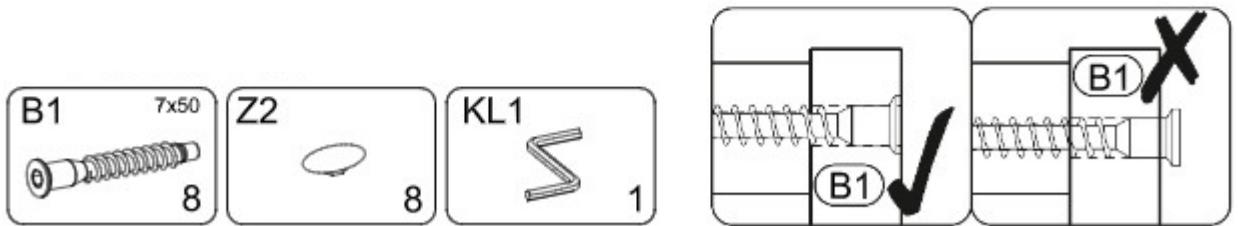
1	580x275x16mm	2
2	274x768x16mm	2
3	576x396x16mm	2
4	768x270x16mm	1
5	578x396x3mm	2



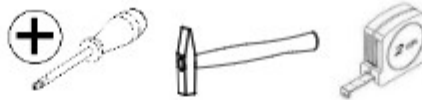
▶ 1



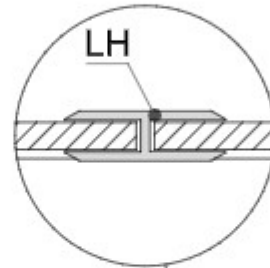
▶ 2



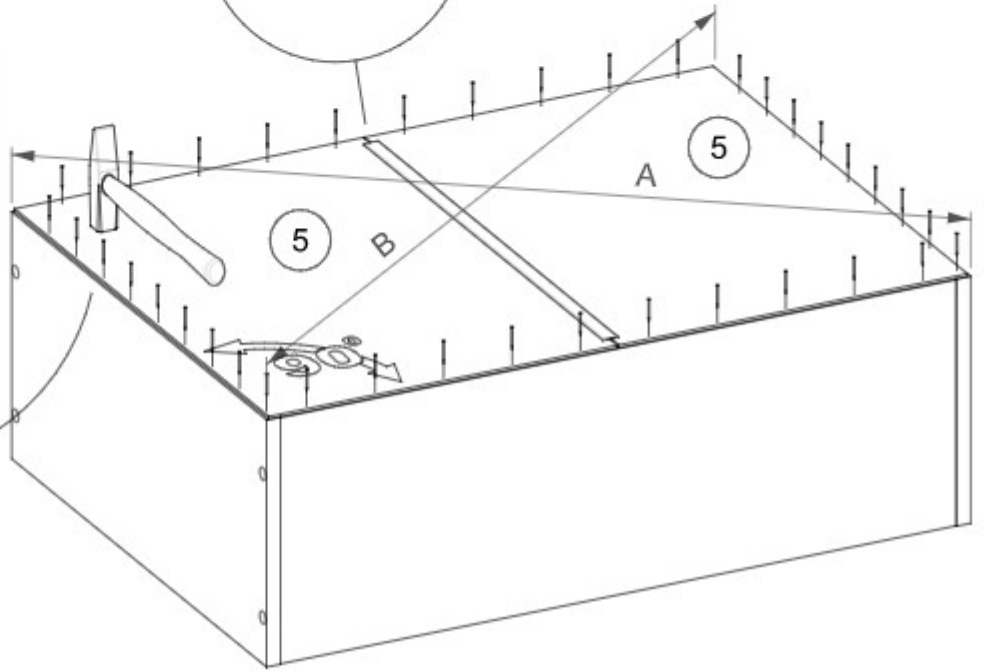
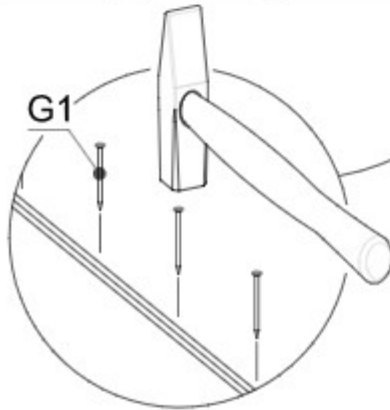
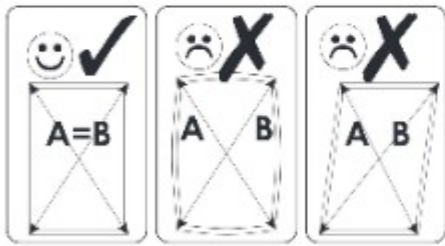
▶ 3



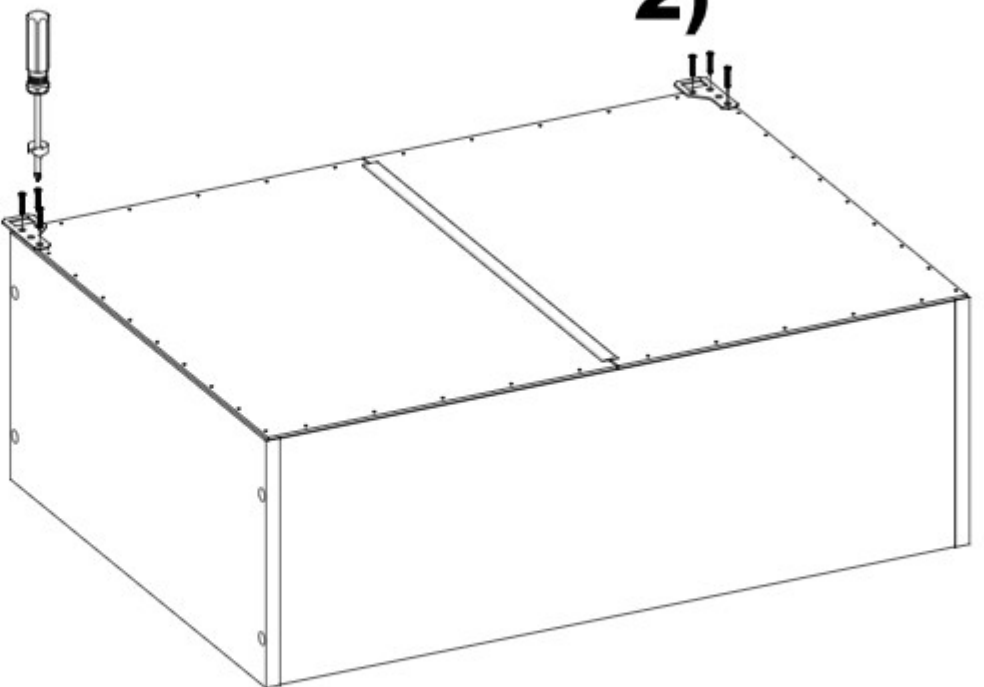
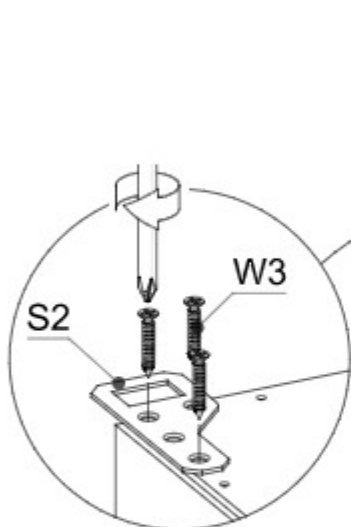
G1	1.4x25	S2	W3	3.5x25	LH	545mm
	40			6		1



1)



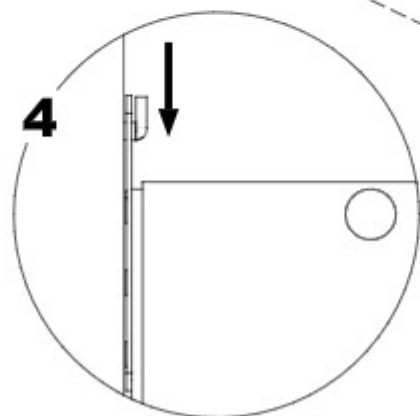
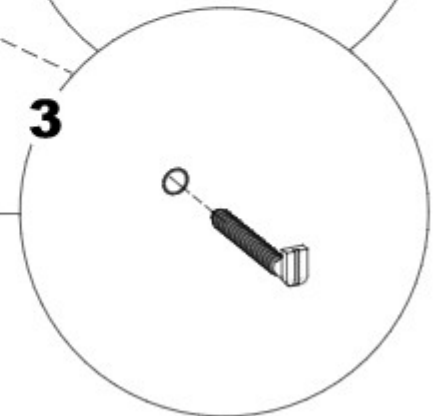
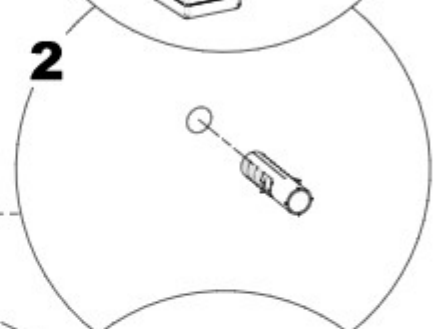
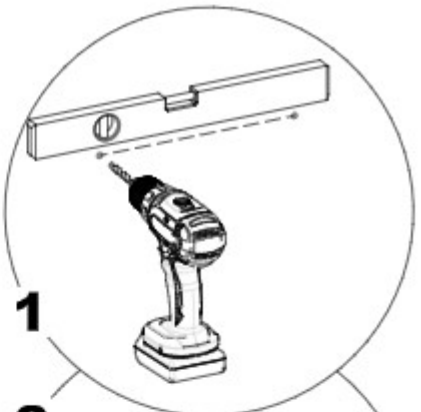
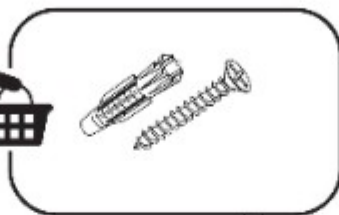
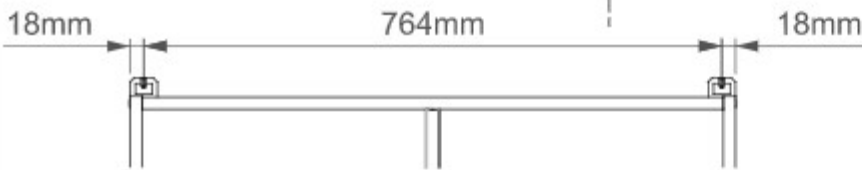
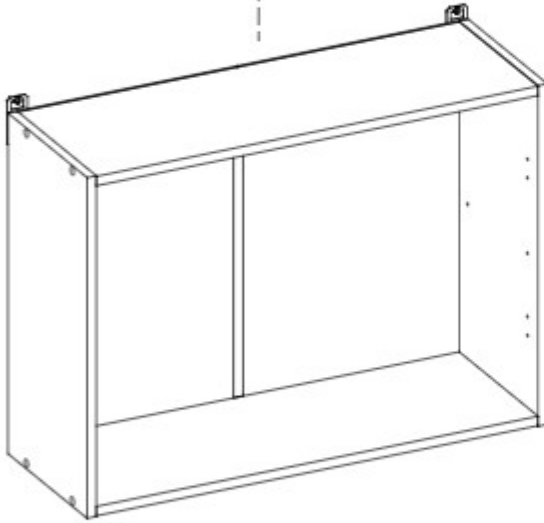
2)



▶ 4



x2



▶ 5

