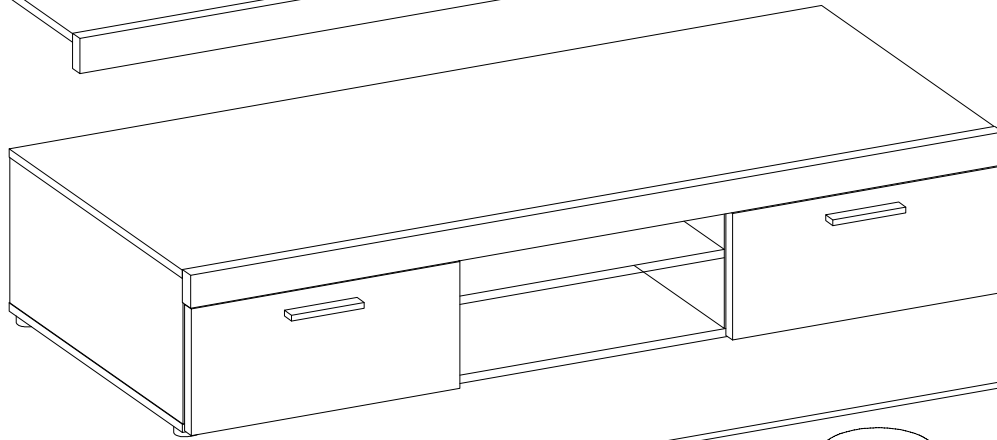
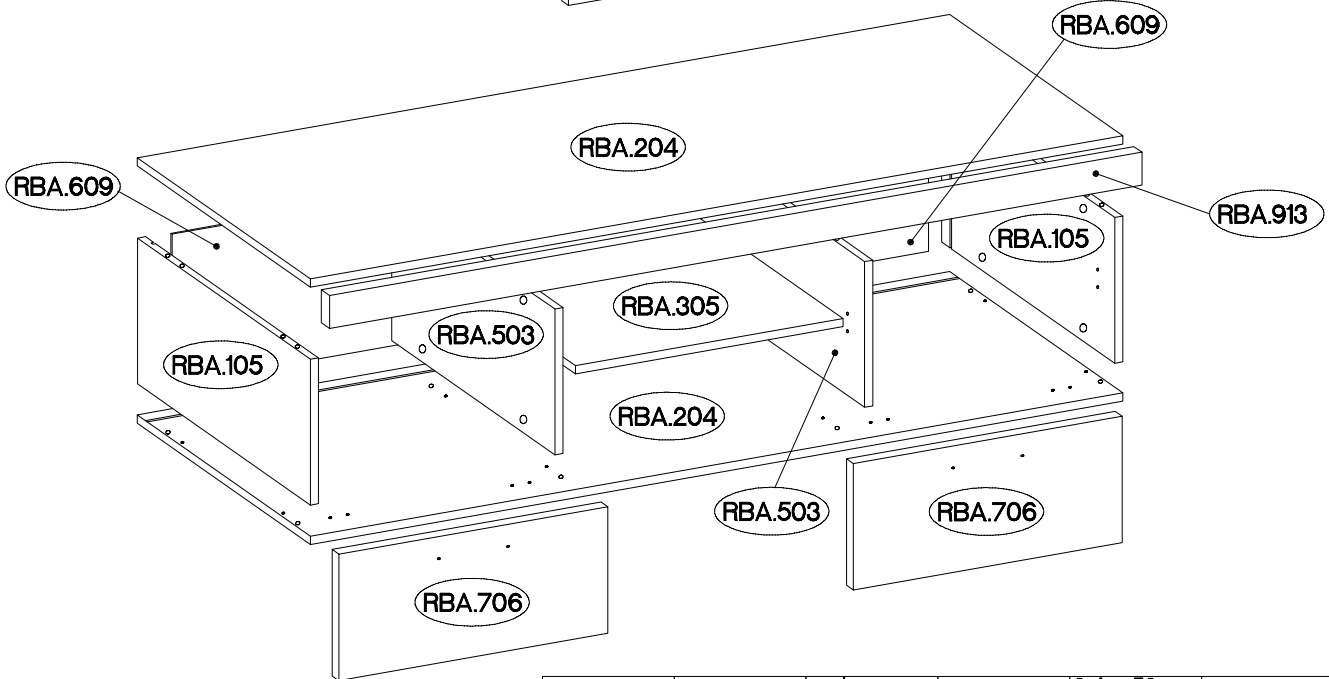
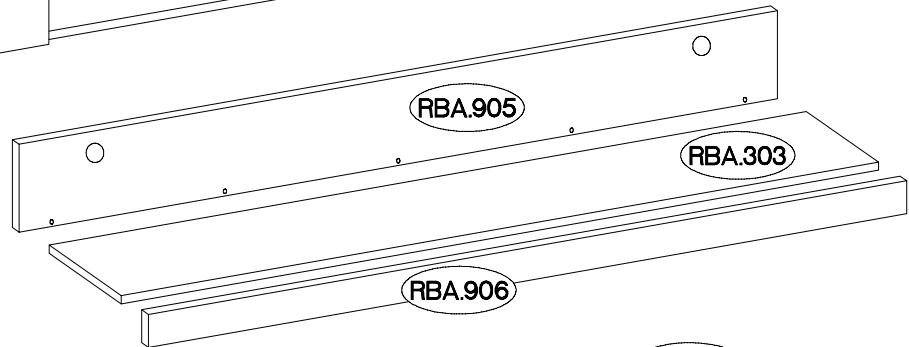


RBA.303 = max. 2kg



RBA.204 = max. 15kg





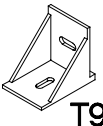
RBA.305

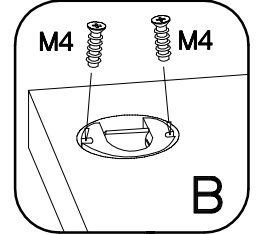
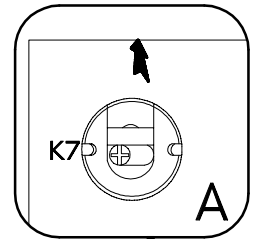
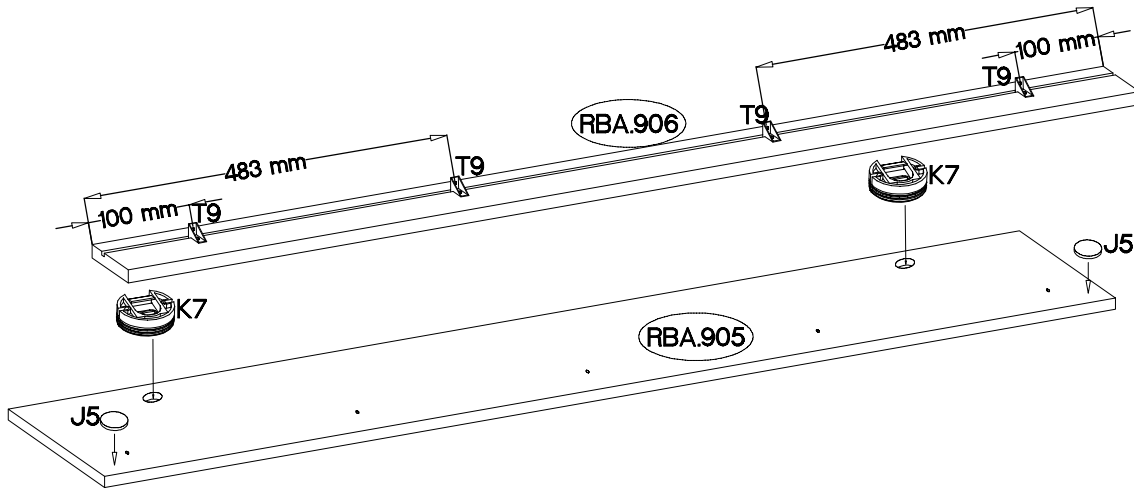
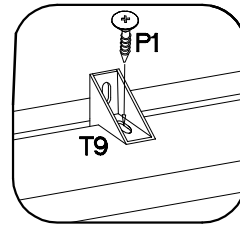


1B:


		+6,3x9mm M4 4	 K7 2	5/45mm O3 2	+10x50mm O7 2	6,4 x 50mm B 5	 O 1	+7/2mm J5 2	
		 J1 4	+3.0x20mm P7 4	 K13 2	+3.0x16mm P11 6	+4.0x16mm P1 18	 T9 9	 E 16	+4.0x25mm P14 6
L=20mm D2 16	+15/12mm C 16	+8x30mm A 16	 L 10	L=128mm S1 2	+4.0x30mm R2 4	+35/0mm G 4	 H 4	+3.5x13mm P5 14	 F10 6

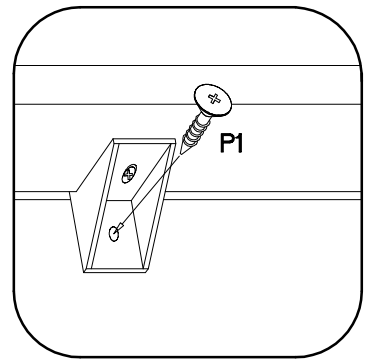
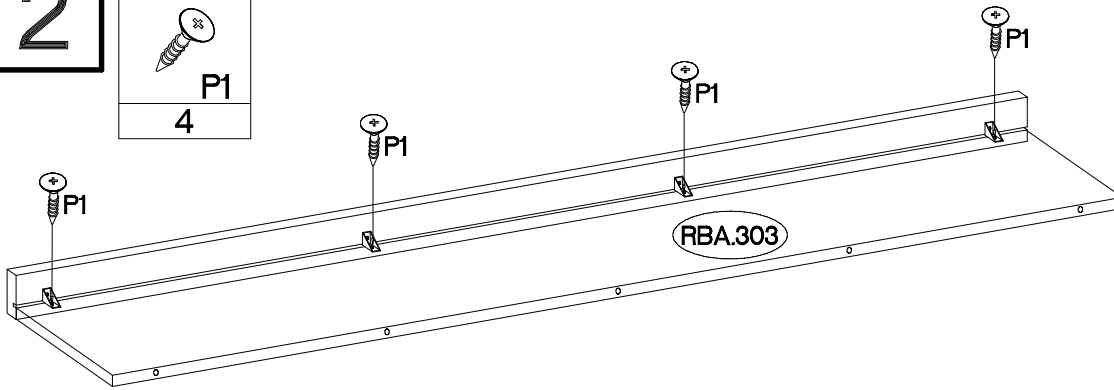
1

±6,3x9mm  M4 4	 K7 2	±7/2mm  J5 2	±4.0x16mm  P1 4	 T9 4
---	---	---	--	---


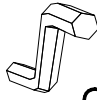


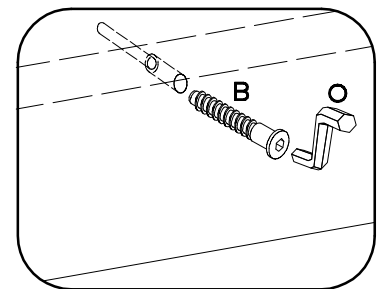
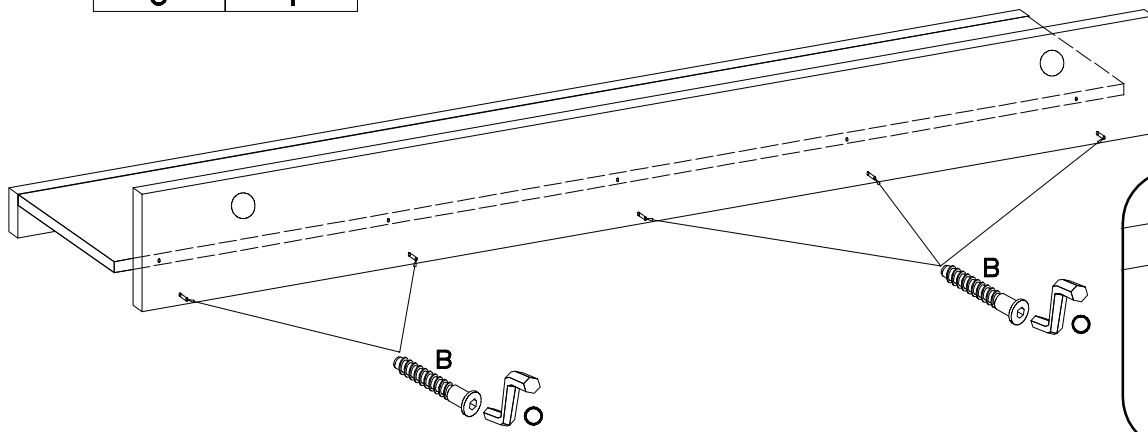
2

±4.0x16mm  P1 4

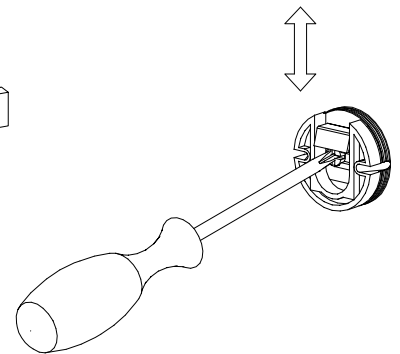
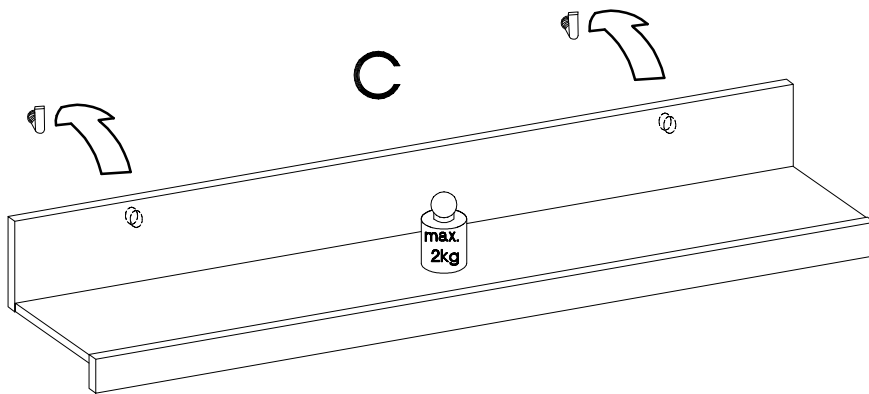
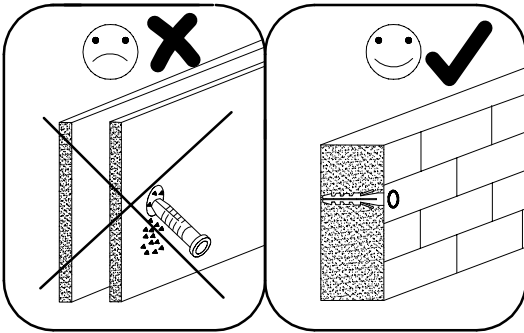
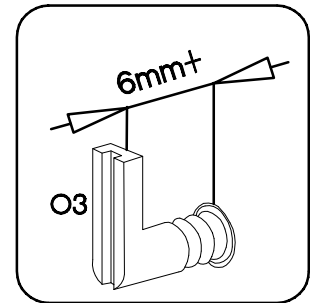
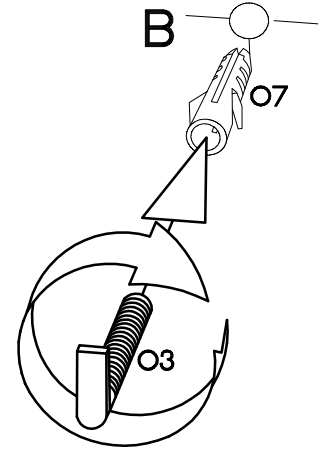
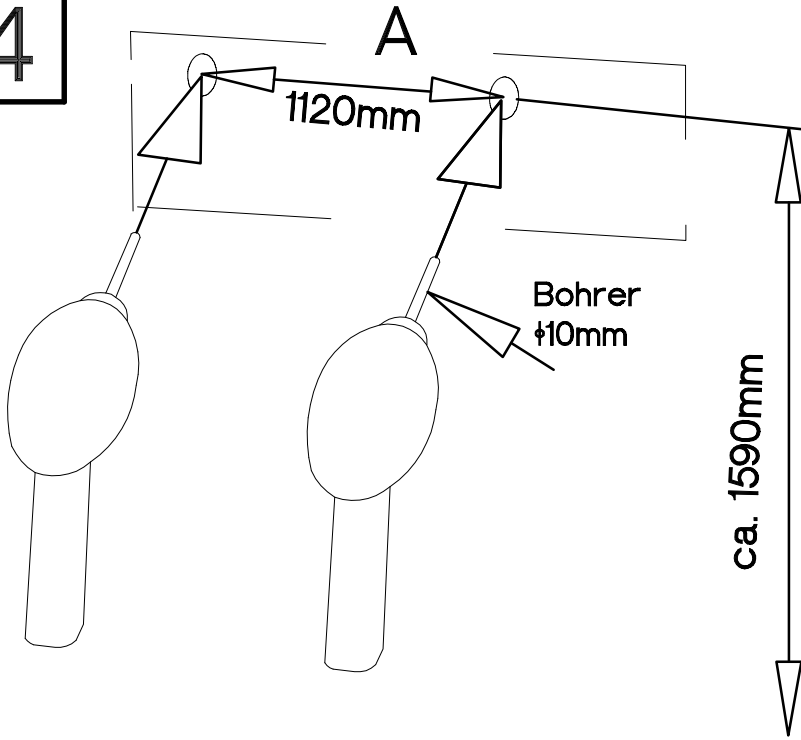


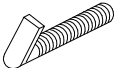
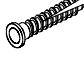
3

6,4 x 50mm  B 5	 O 1
---	---



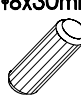
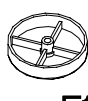

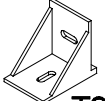



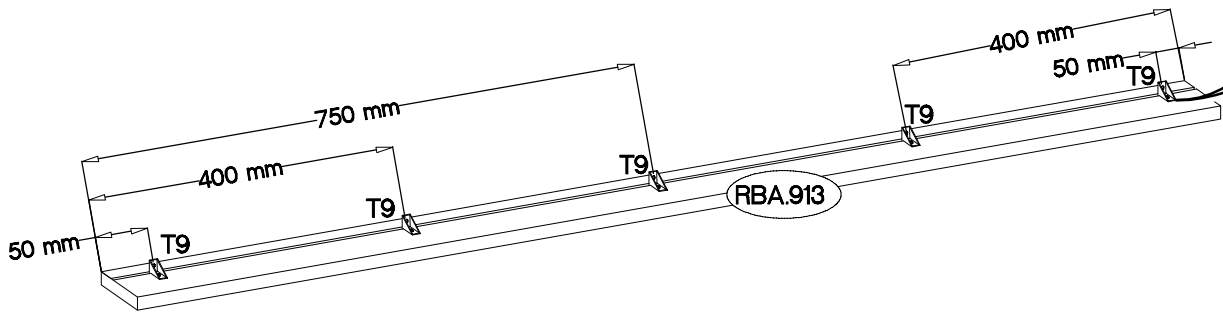
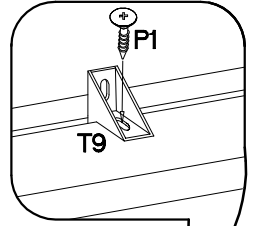
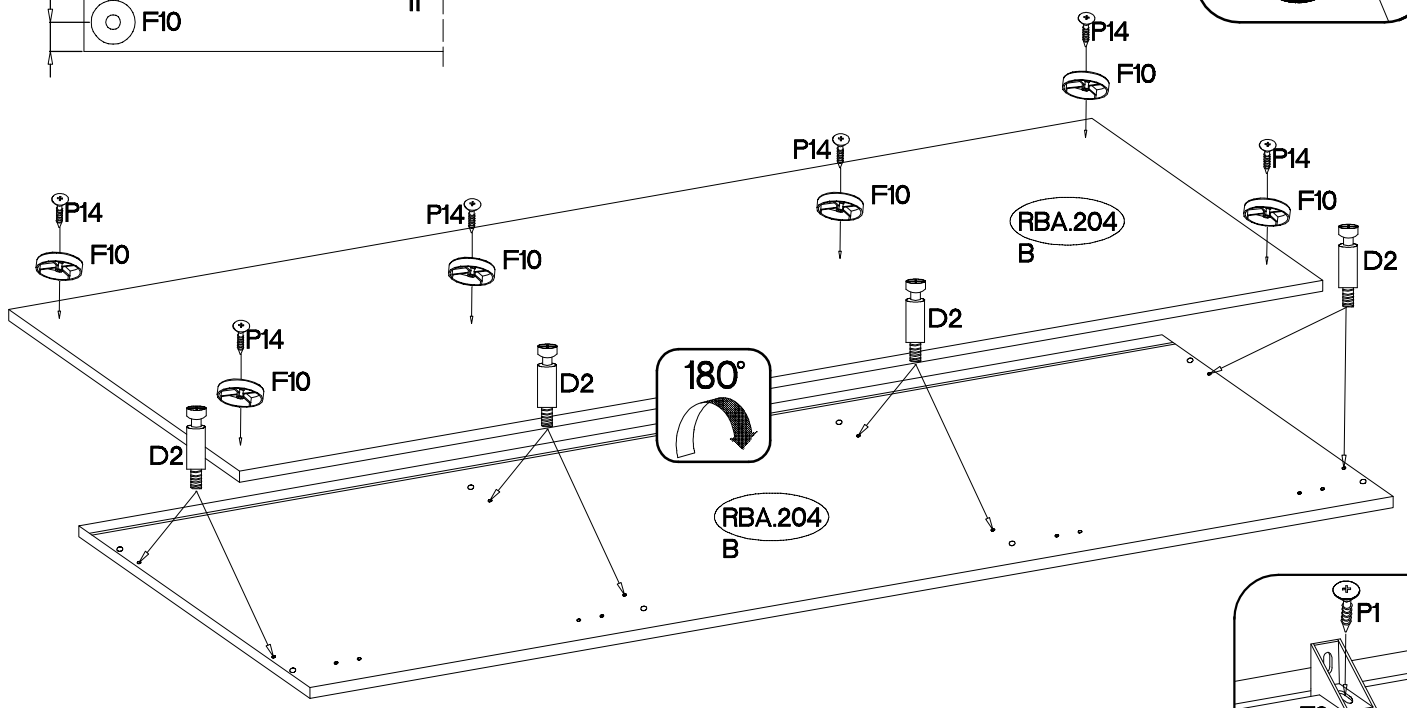
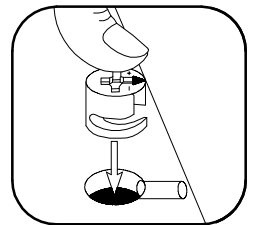
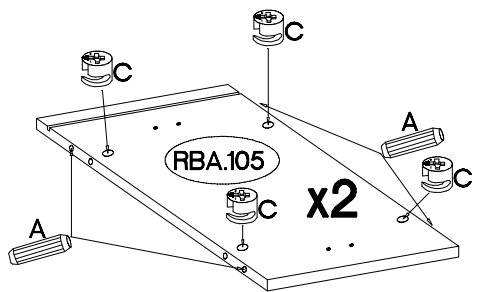
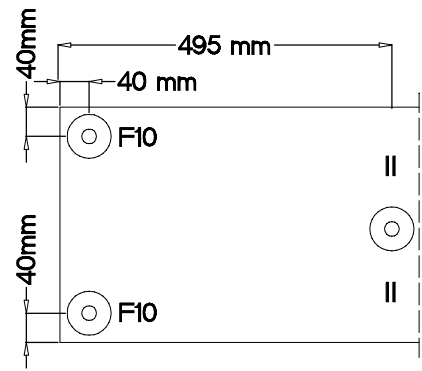
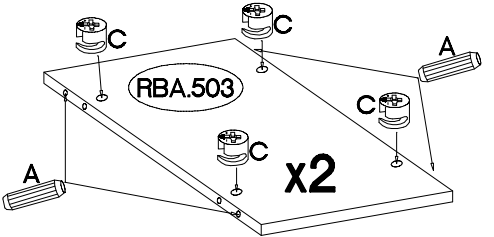
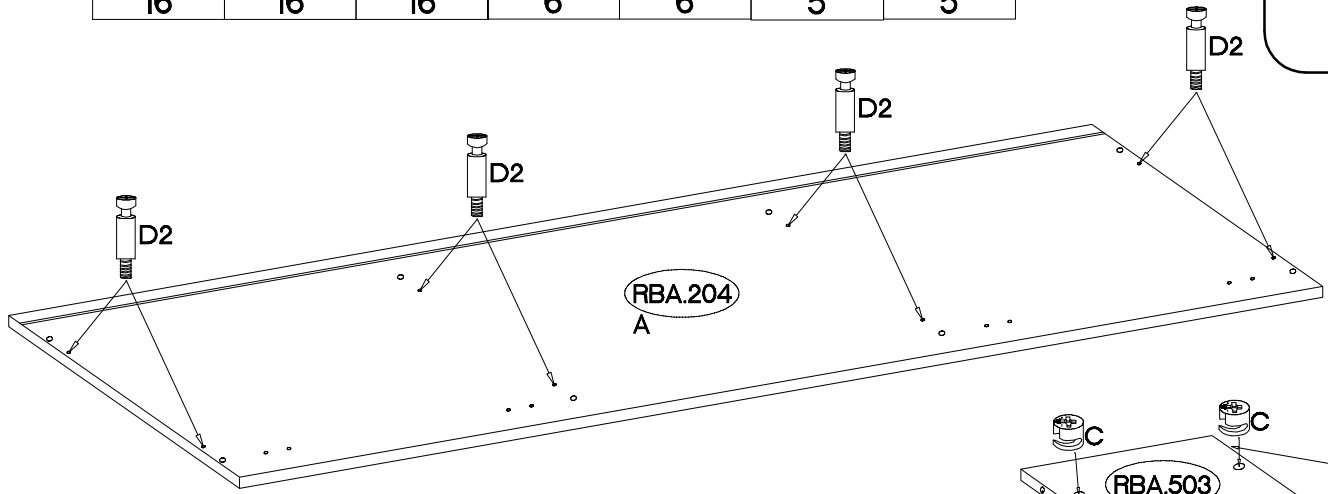
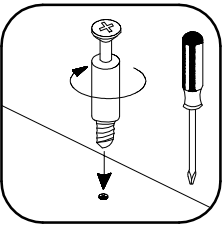
4



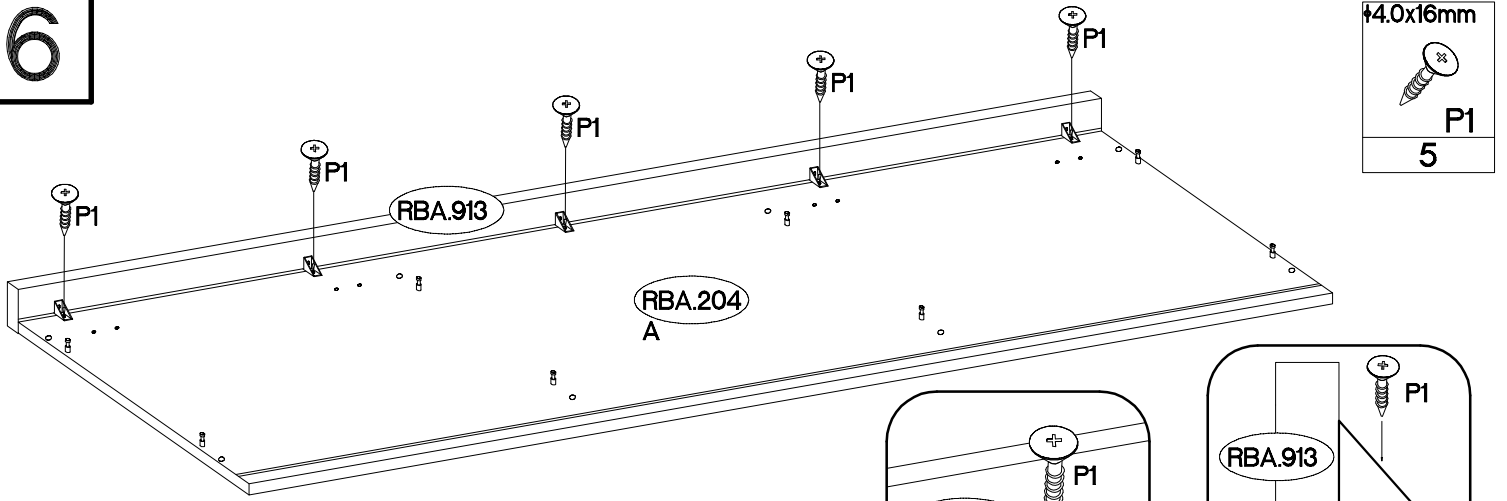
5/45mm	$\phi 10 \times 50\text{mm}$
	
O3	O7
2	2

5

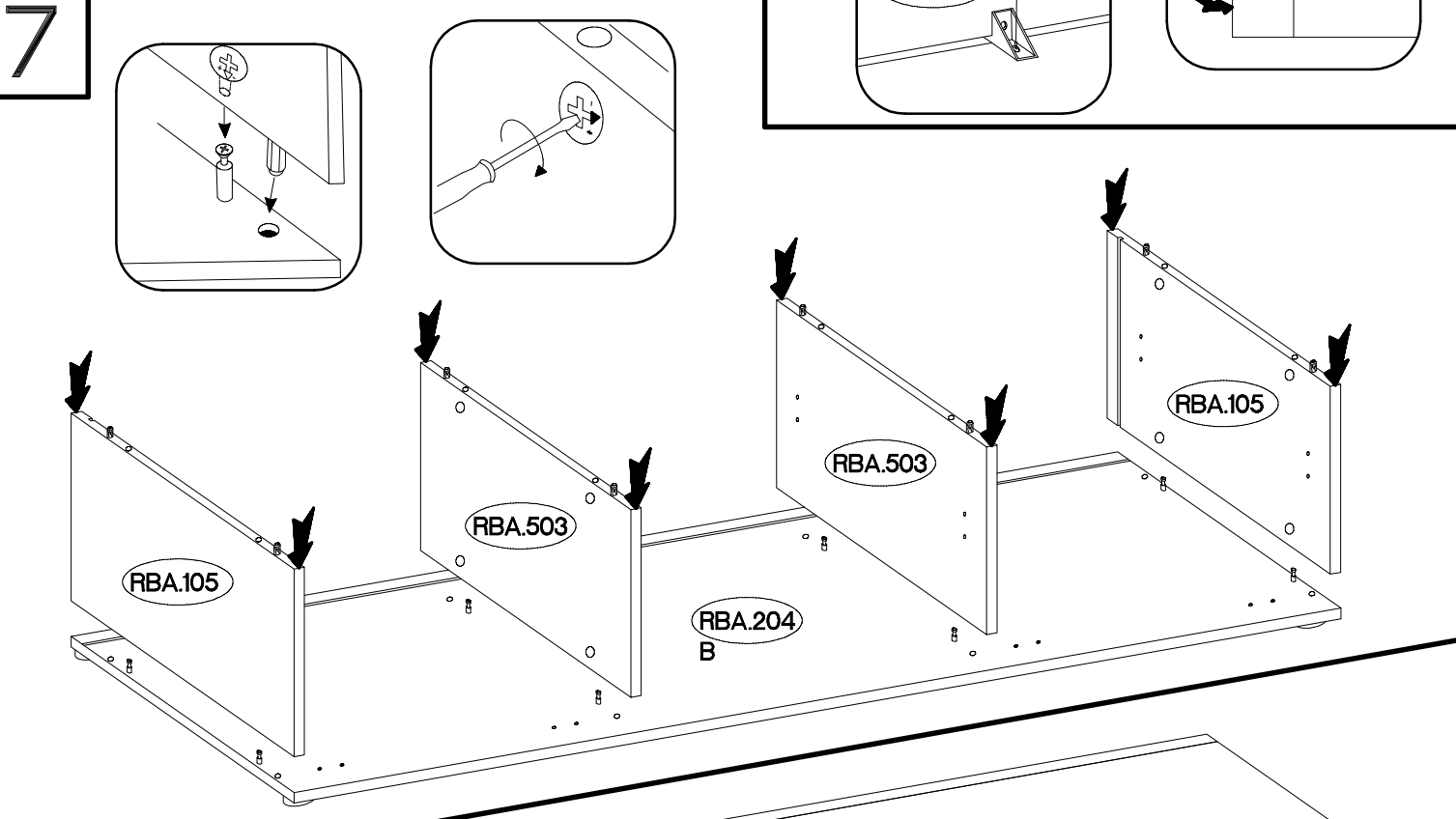
L=20mm  D2 16	±15/12mm  C 16	±8x30mm  A 16	 F10 6	±4.0x25mm  P14 6	 T9 5	±4.0x16mm  P1 5
--	---	--	--	---	---	---



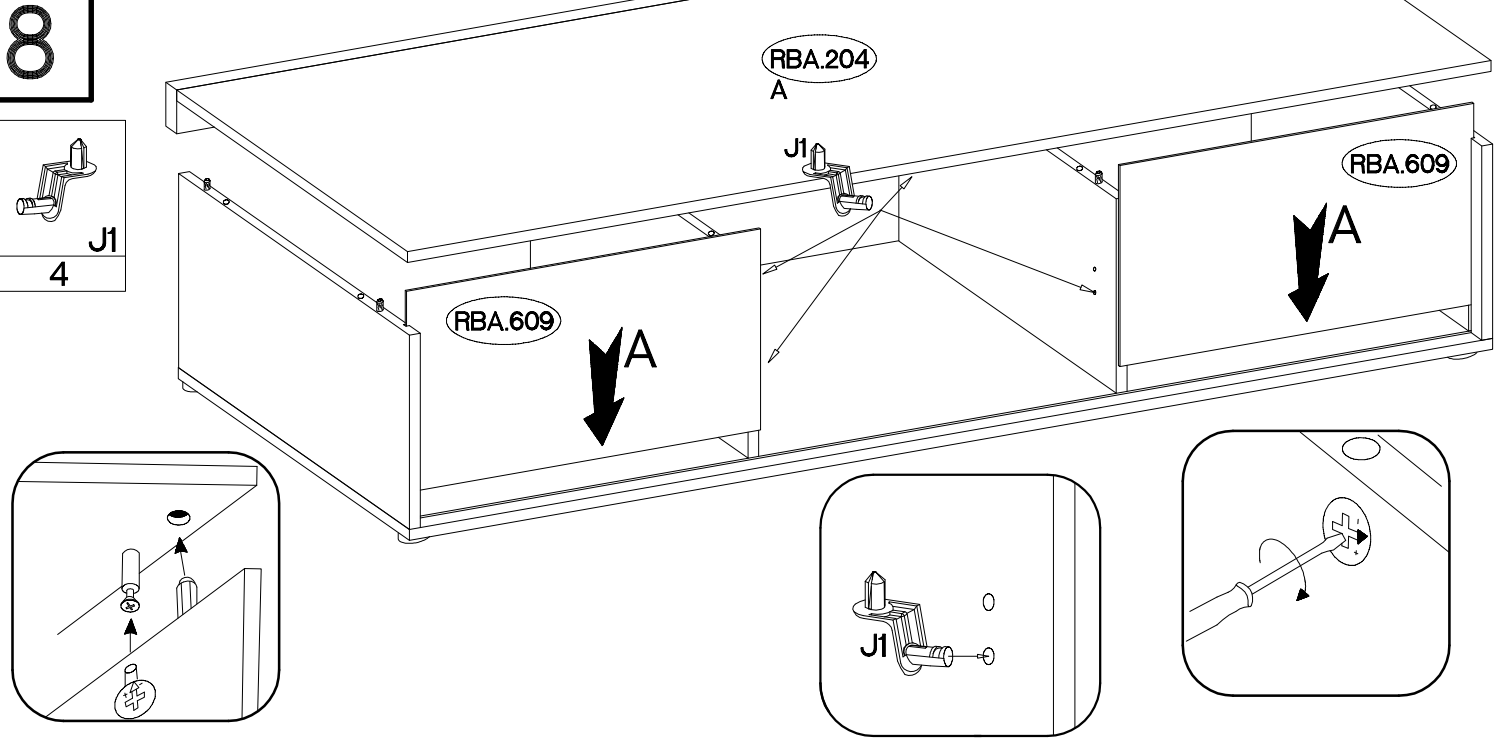
6



7



8



9

±3.0x20mm



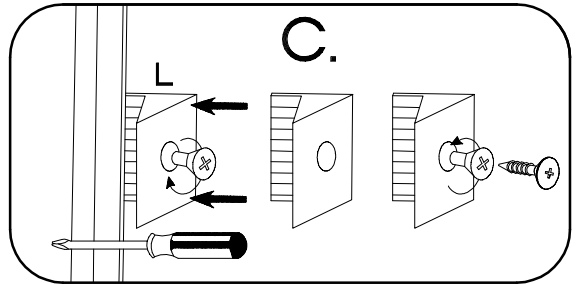
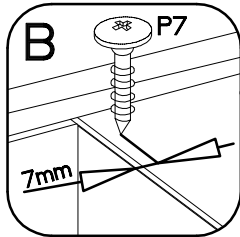
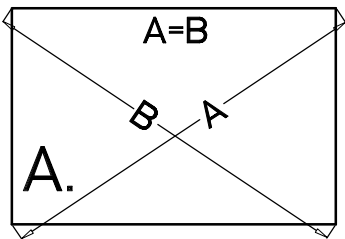
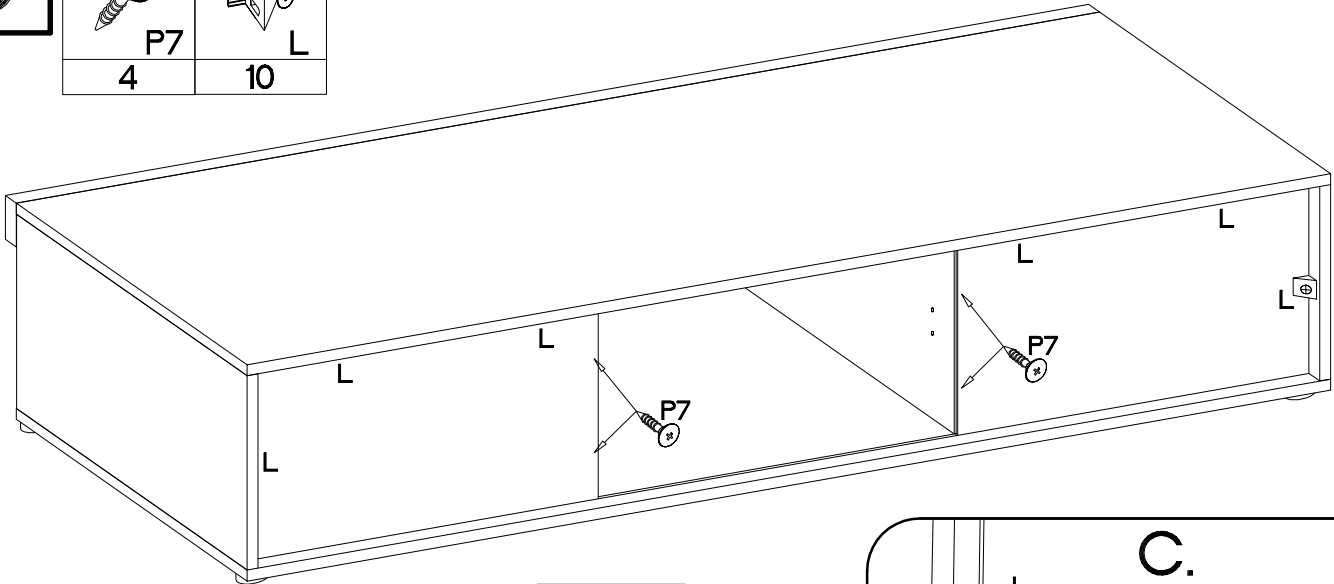
P7

4



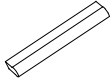
L

10



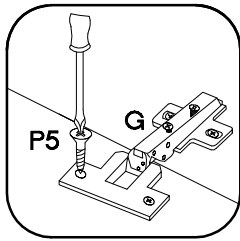
10

L=128mm



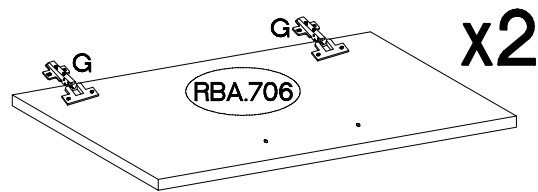
S1

2



P5

G



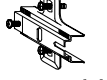
x2

±35/0mm



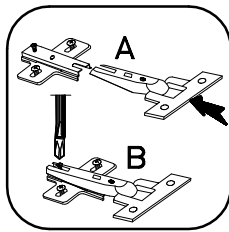
G

4



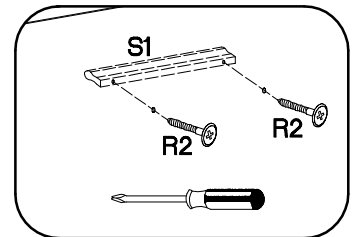
H

4



A

B



S1

R2

R2

±3.5x13mm



P5

8

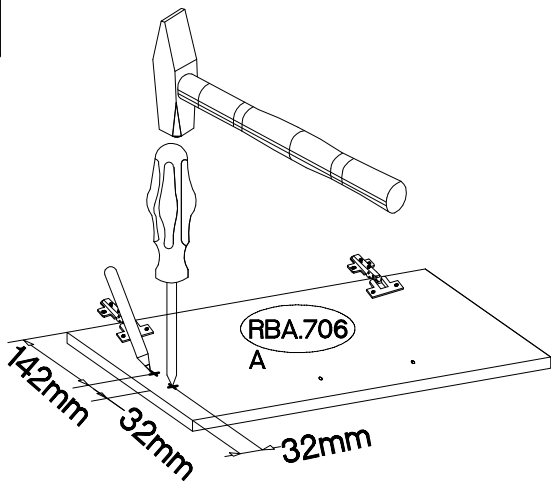
±4.0x30mm



R2

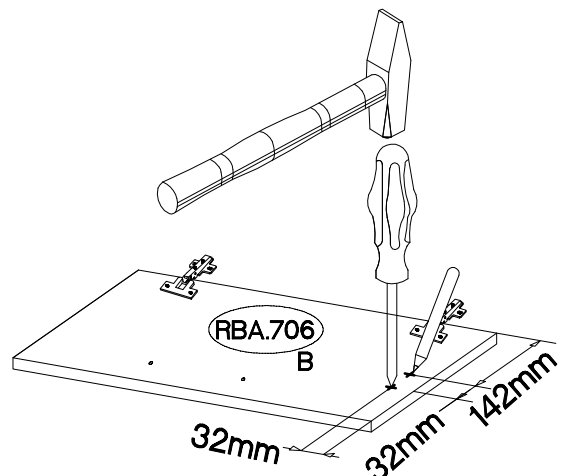
4

11



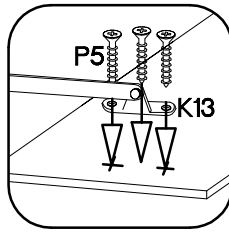
RBA.706

A

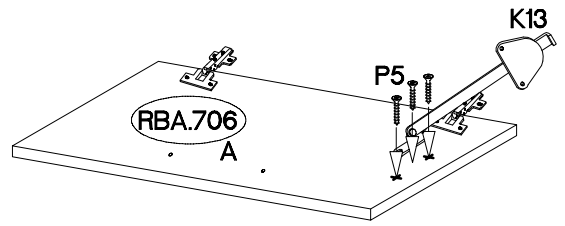
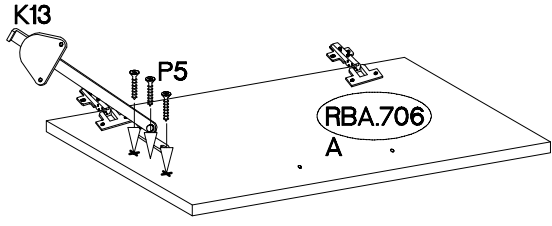


RBA.706

B

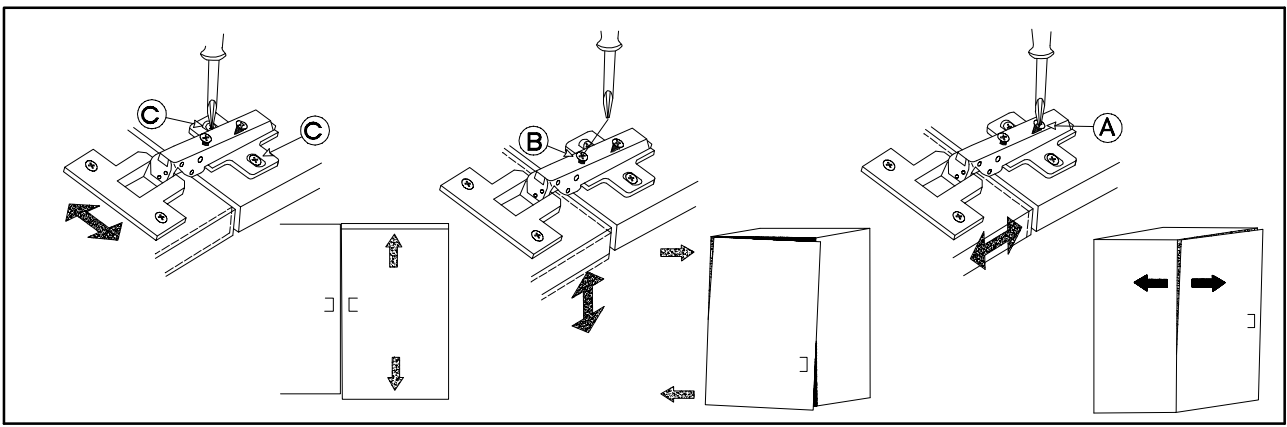
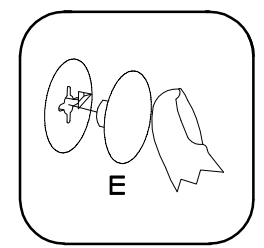
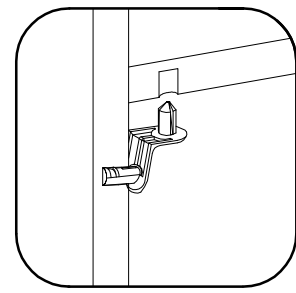
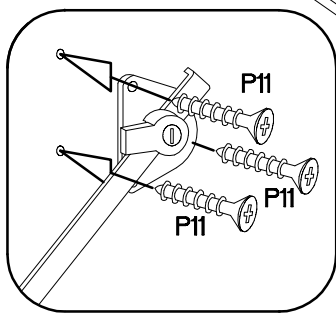
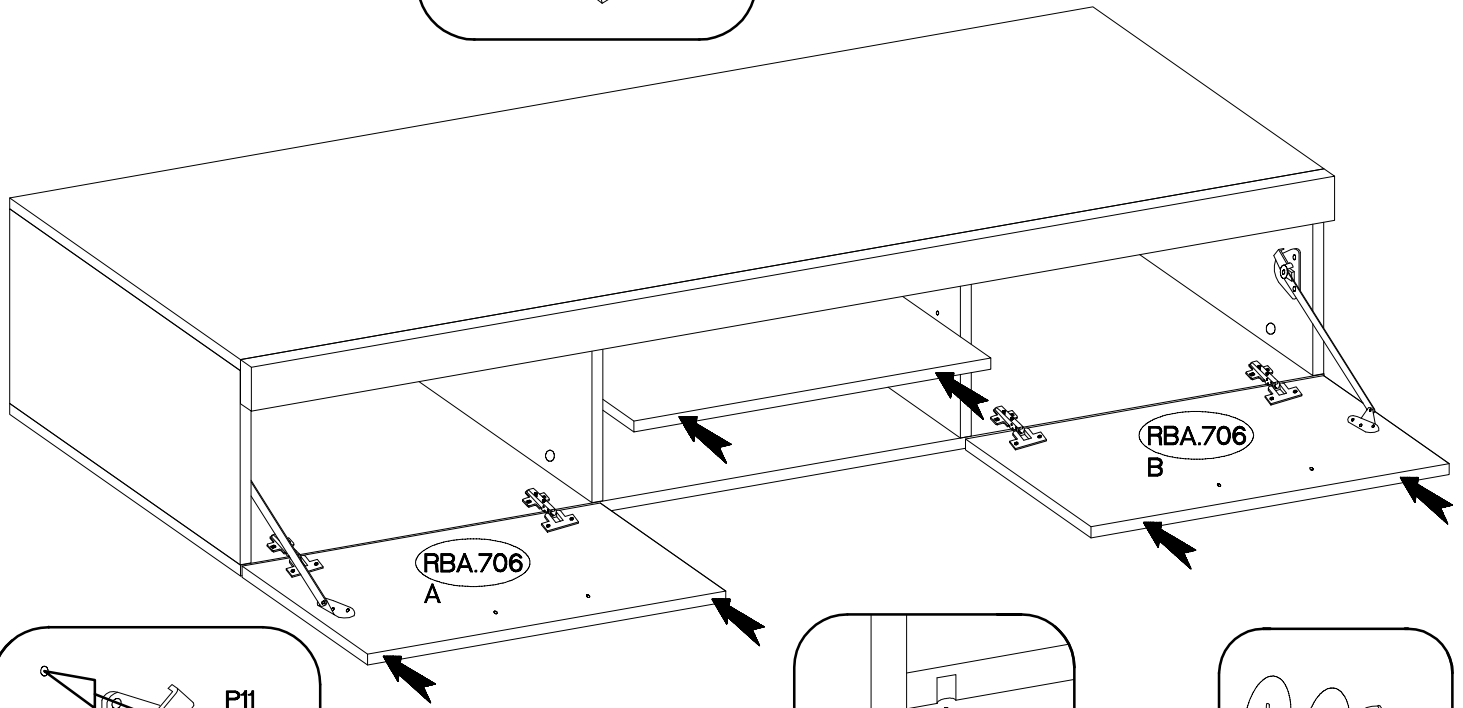
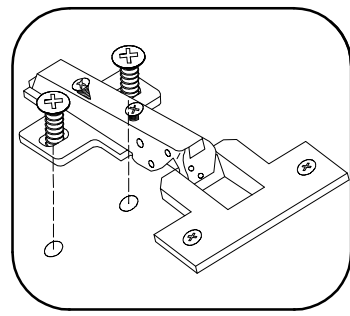


	$\pm 3.5 \times 13 \text{mm}$
K13	P5
2	6



12

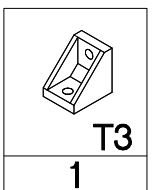
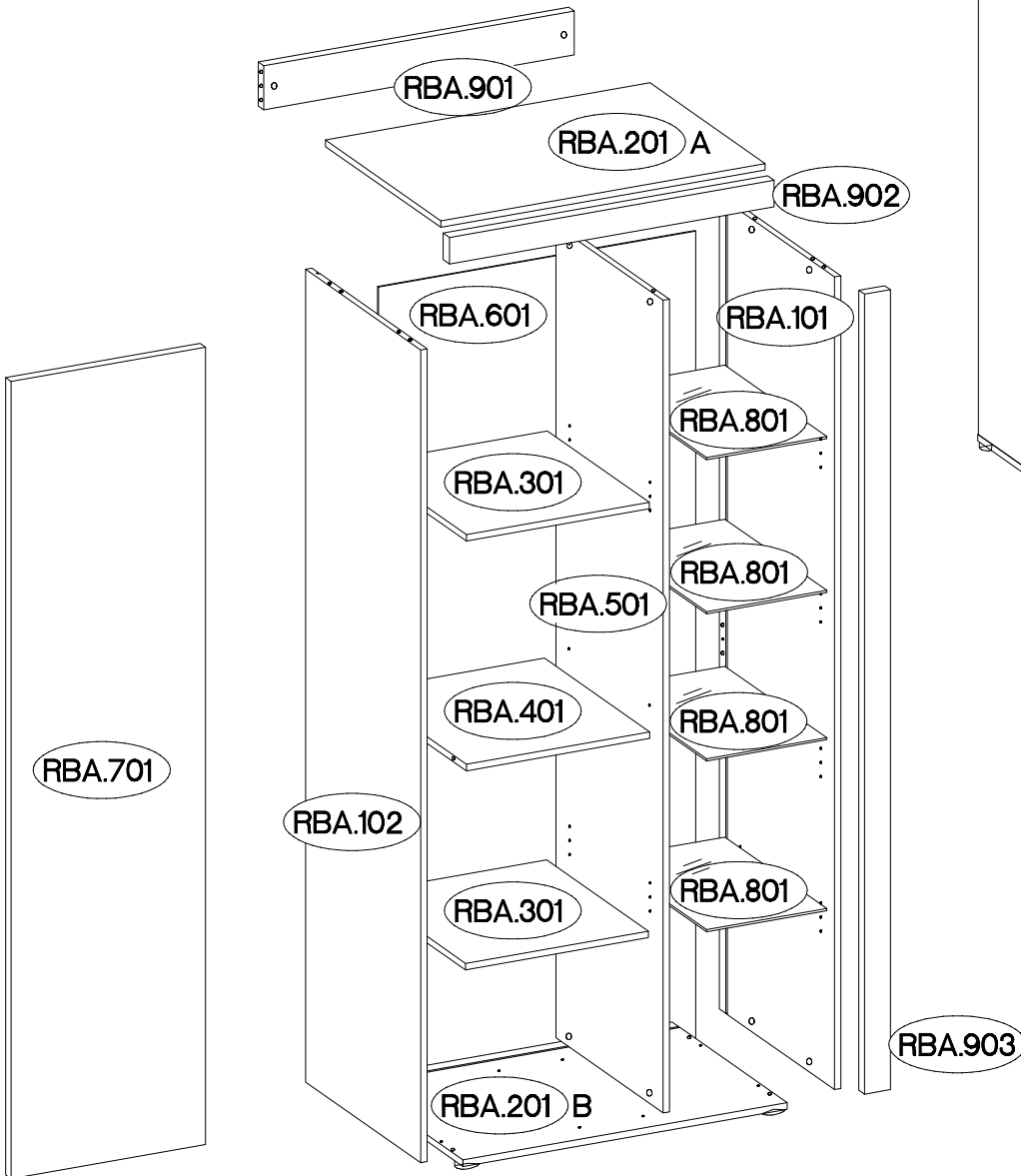
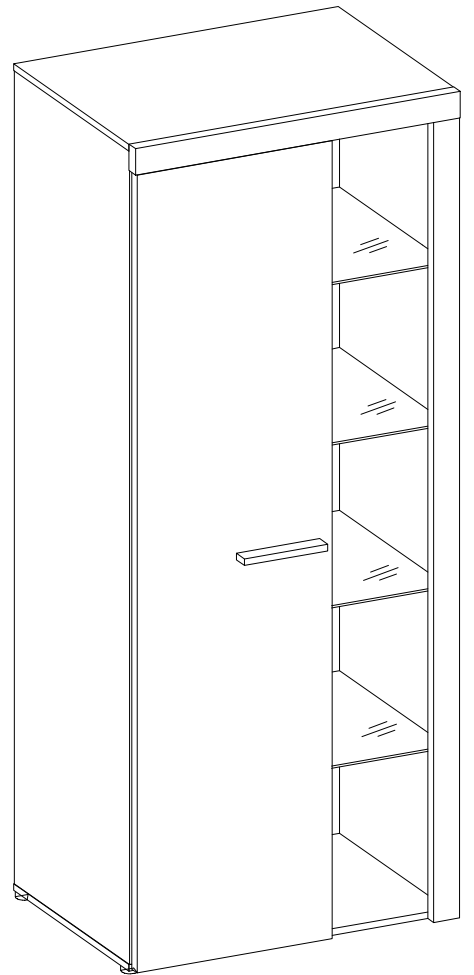
$\pm 3.0 \times 16 \text{mm}$	
	E
6	16



RBA.801 = max. 2kg

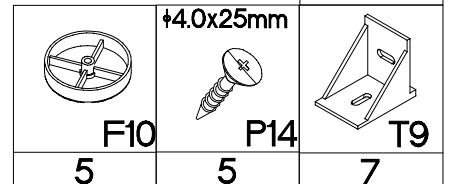
RBA.301 = max. 5kg

RBA.401



T3




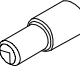

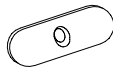

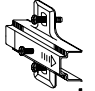
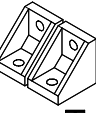




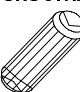
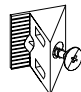
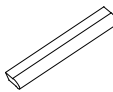
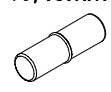

1



5

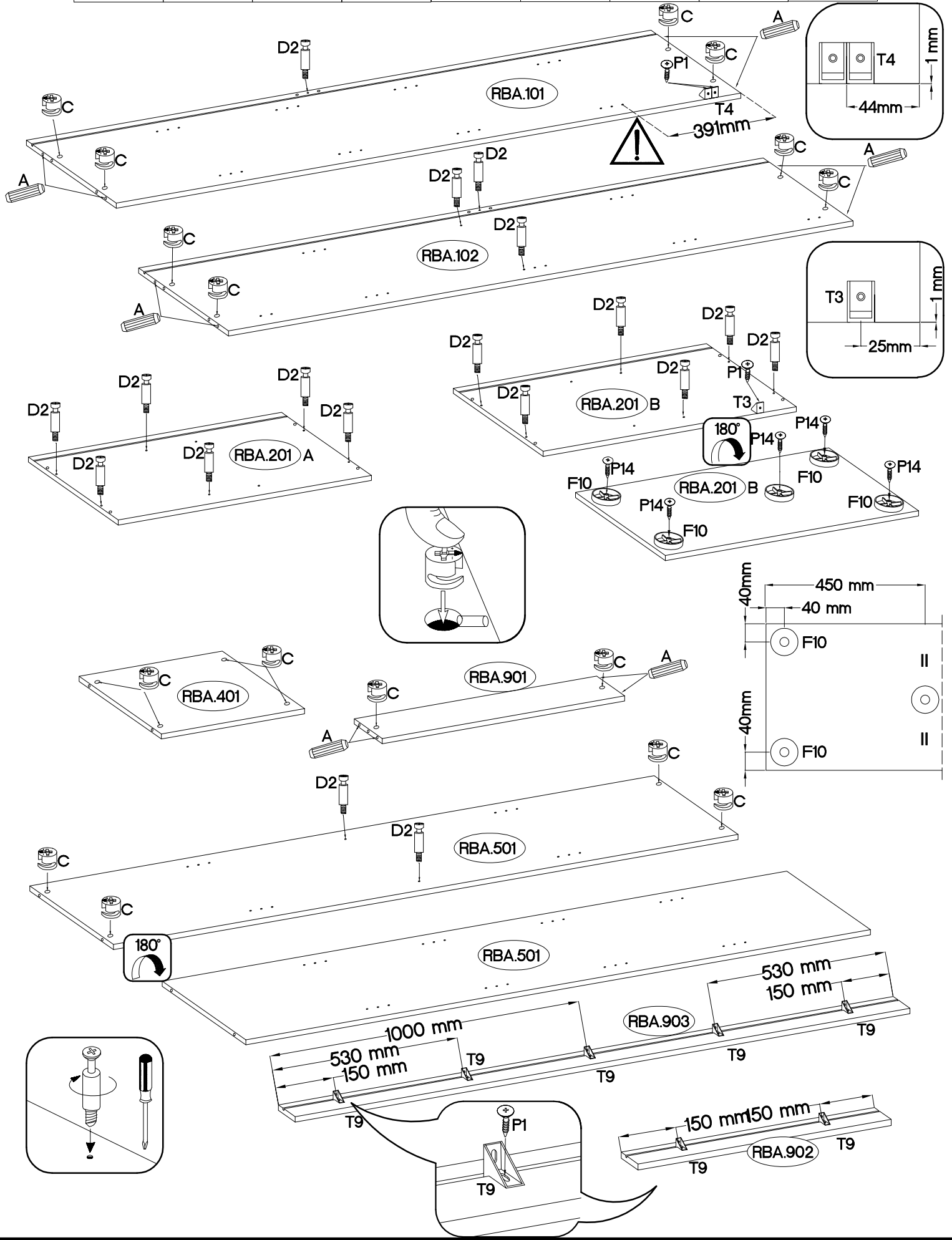
5

7

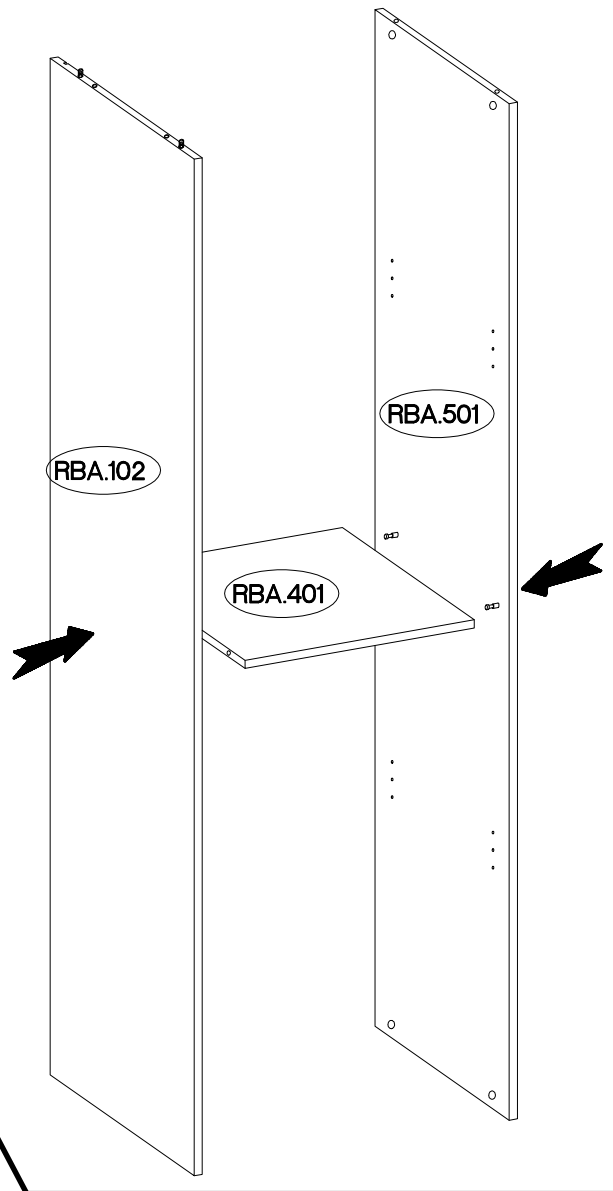
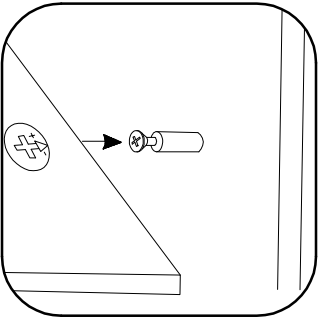
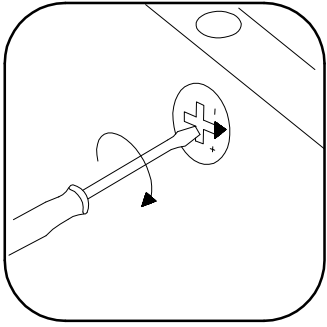
 O7	 L9	 E	 J12	 P5	 L2	 P1	 H	 T4
1	1	16	16	7	10	20	3	1
 R2	 P7	 D2	 C	 A	 12	 S1	 J3	 G
2	10	18	18	12	12	1	8	3

2B :

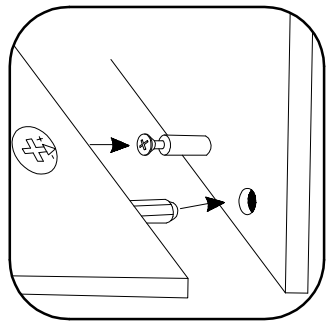
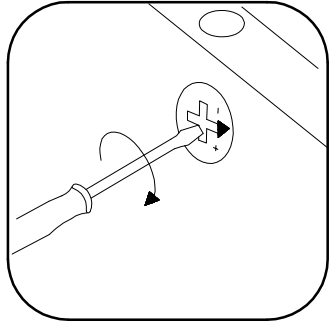
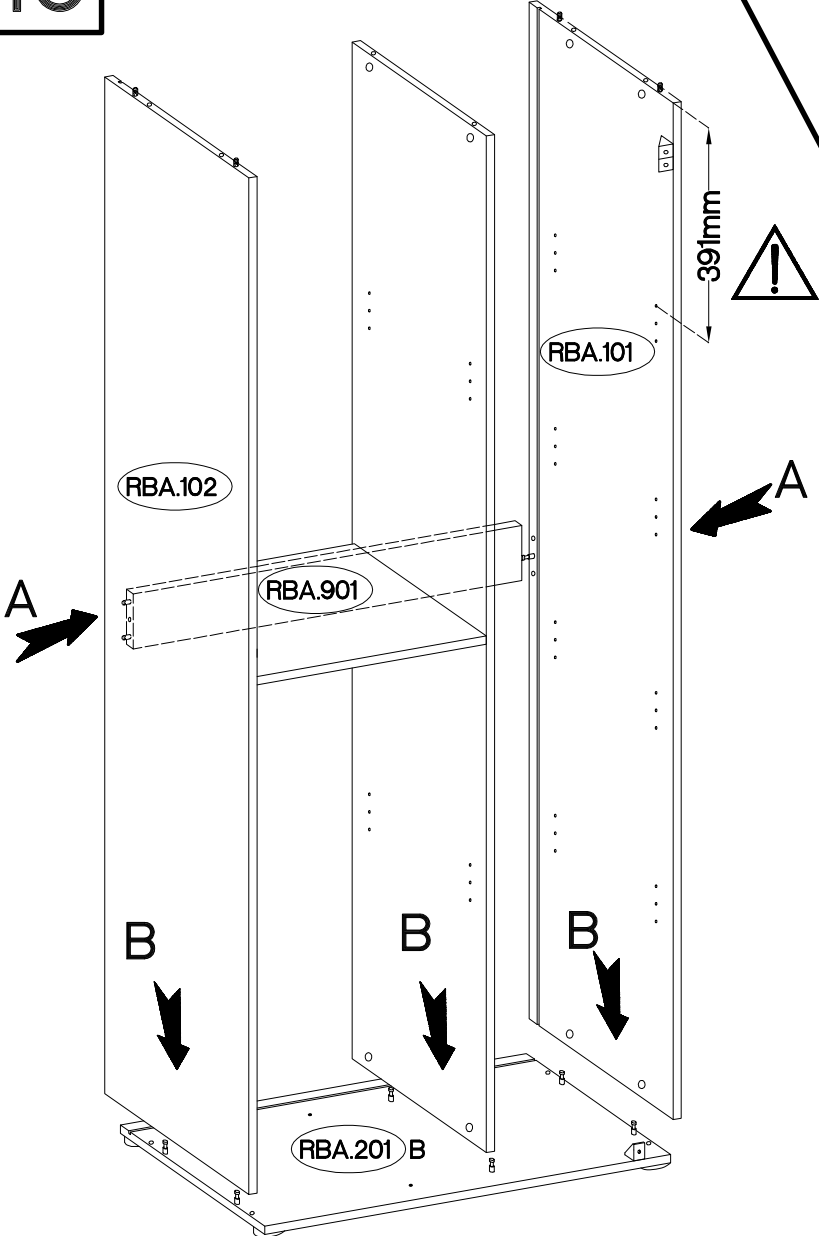
L=20mm	+15/12mm	+8x30mm				+4.0x16mm		+4.0x25mm
D2	C	A	T9	T4	T3	P1	F10	P14
18	18	12	7	1	1	10	5	5



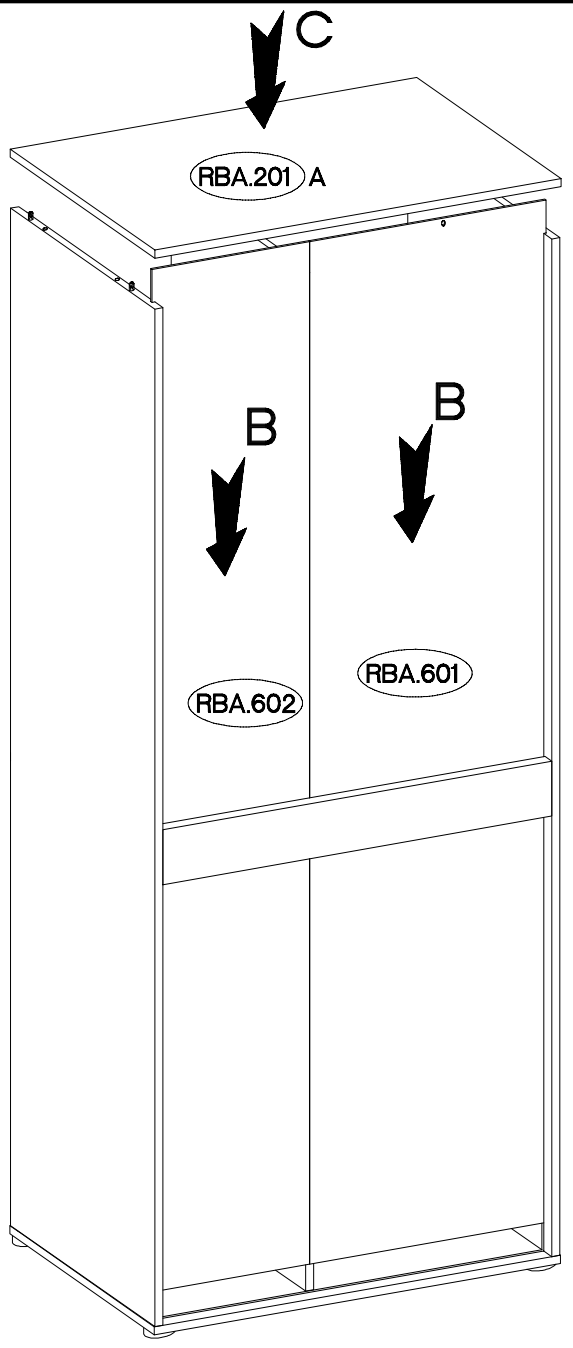
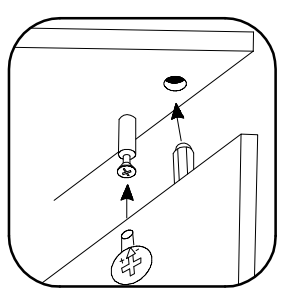
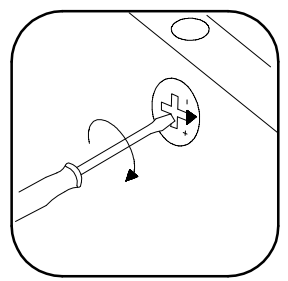
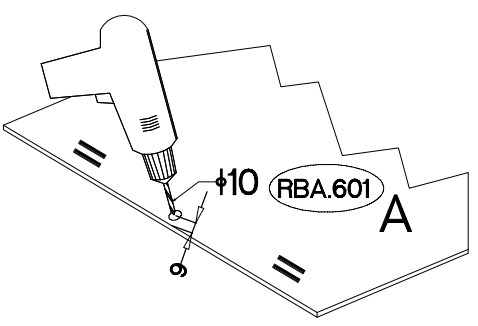
15



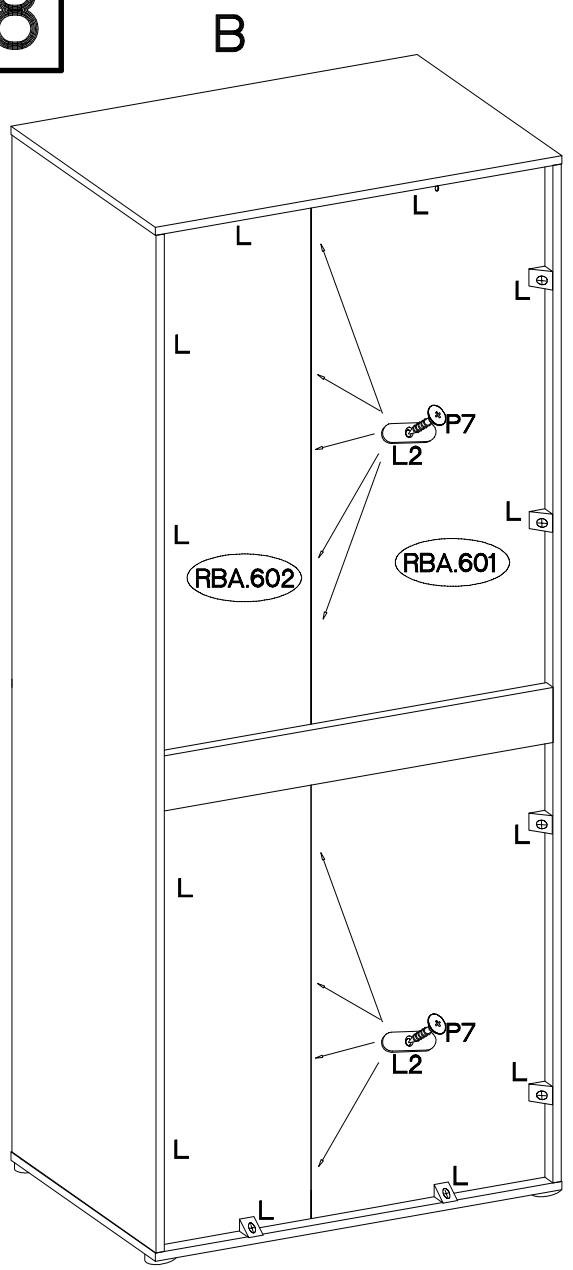
16



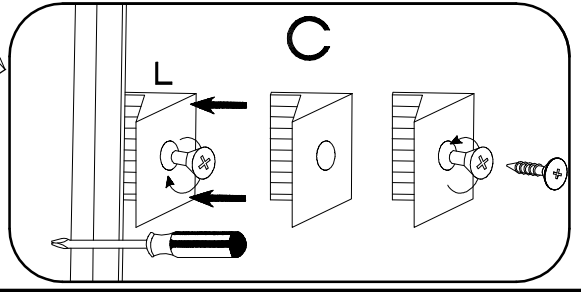
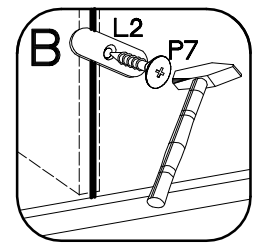
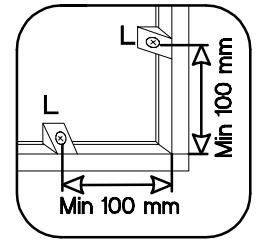
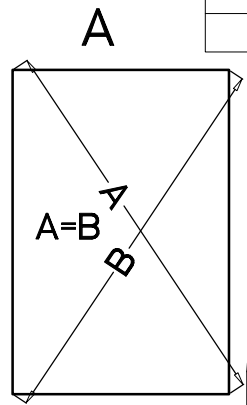
17




18

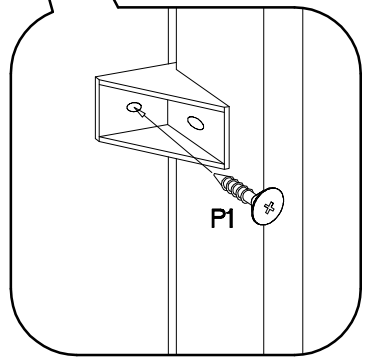
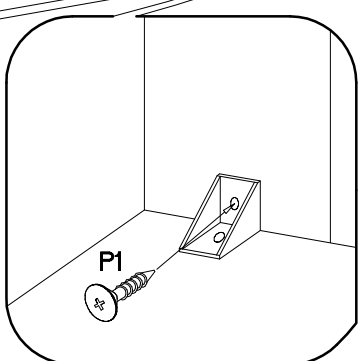
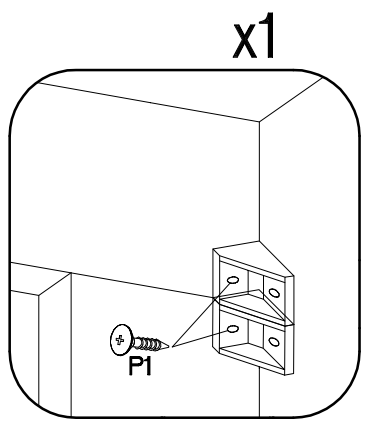
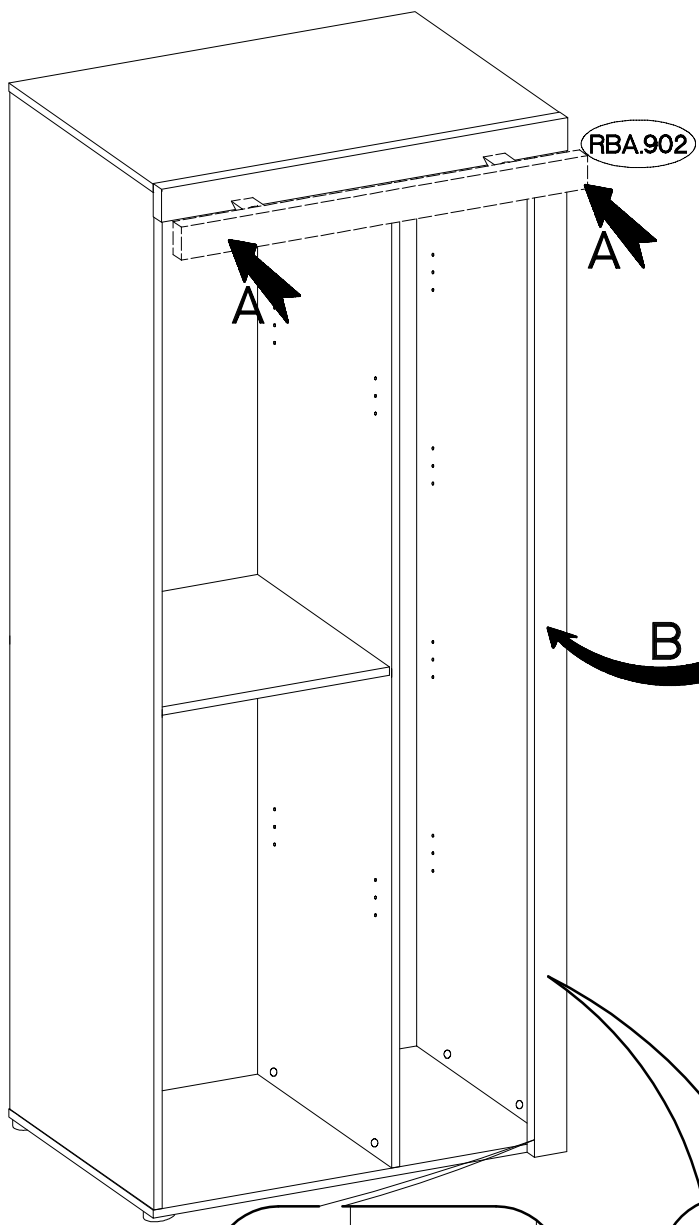


$\phi 3.0 \times 20 \text{mm}$		
P7	L2	L
9	9	12

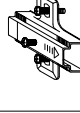
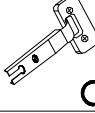



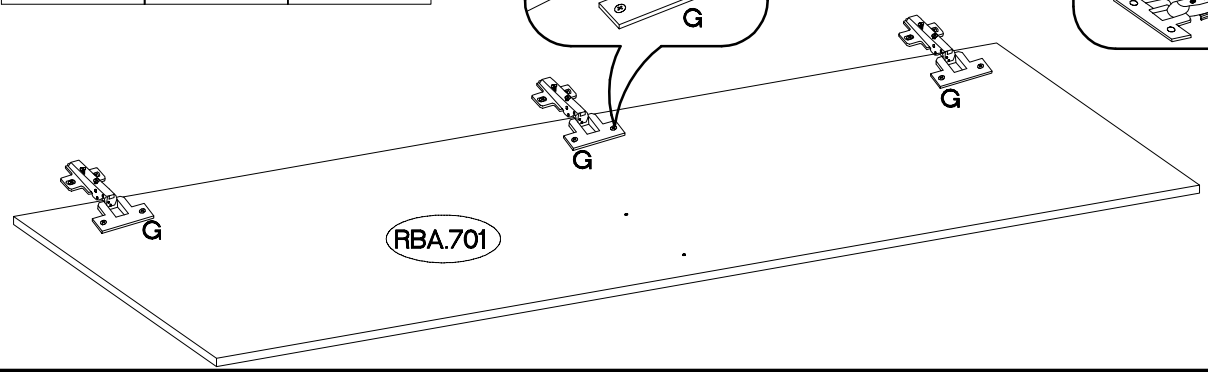
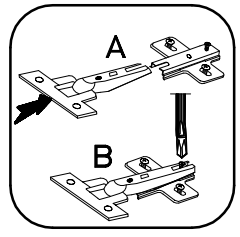
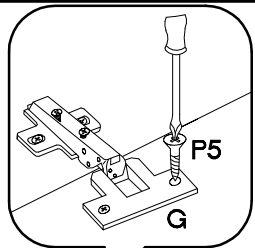
19

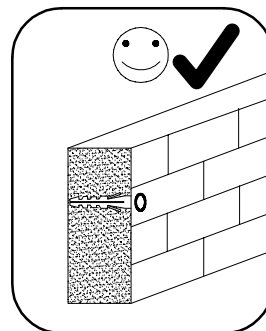
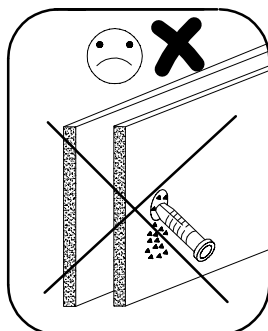
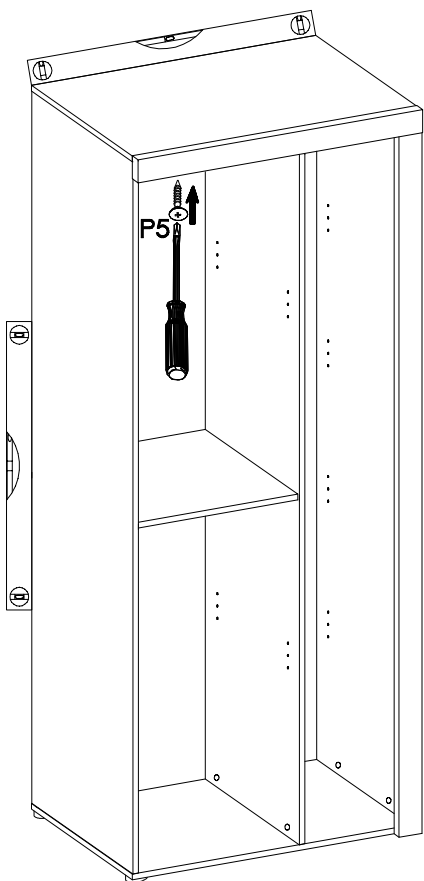
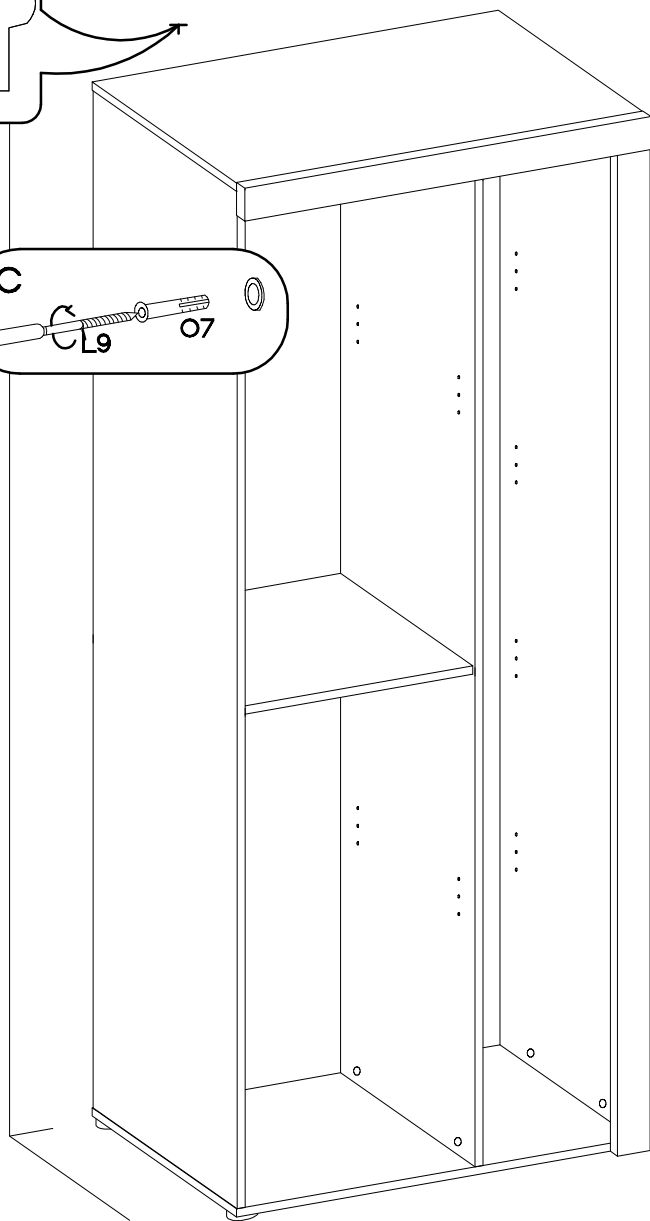
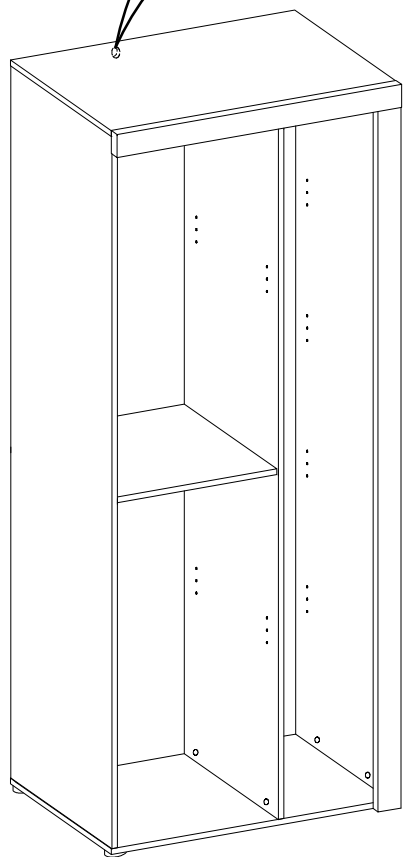
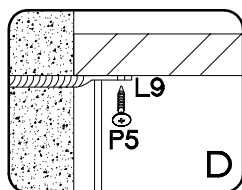
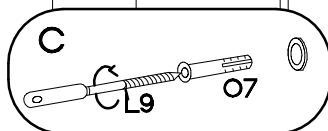
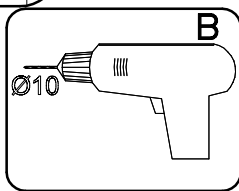
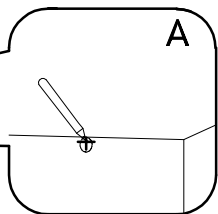
±4.0x16mm

P1
10

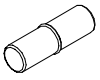

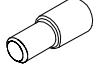

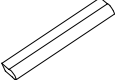


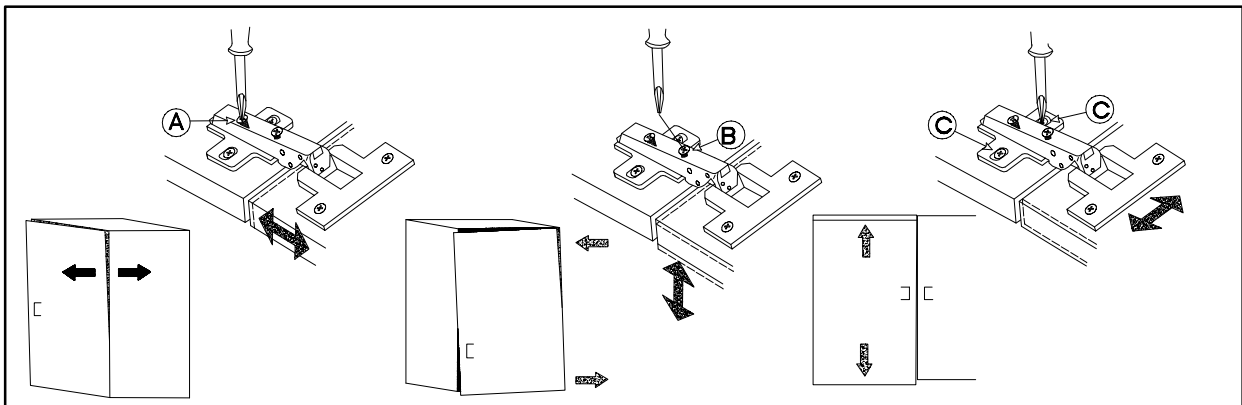
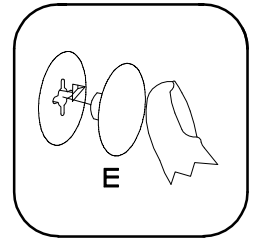
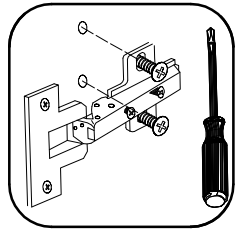
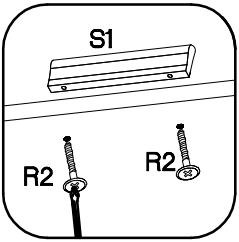
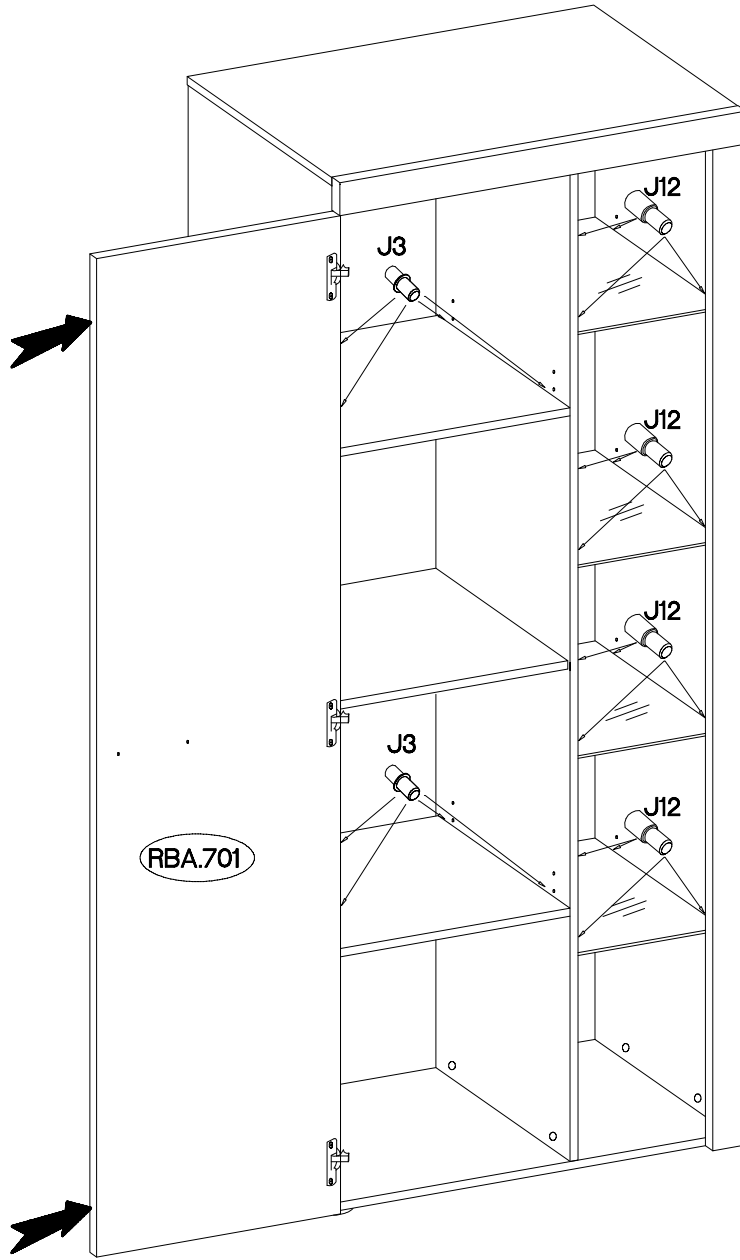
20

H=0	±35/0mm	±3.5x13mm
		
H	G	P5
3	3	6





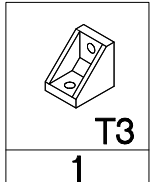
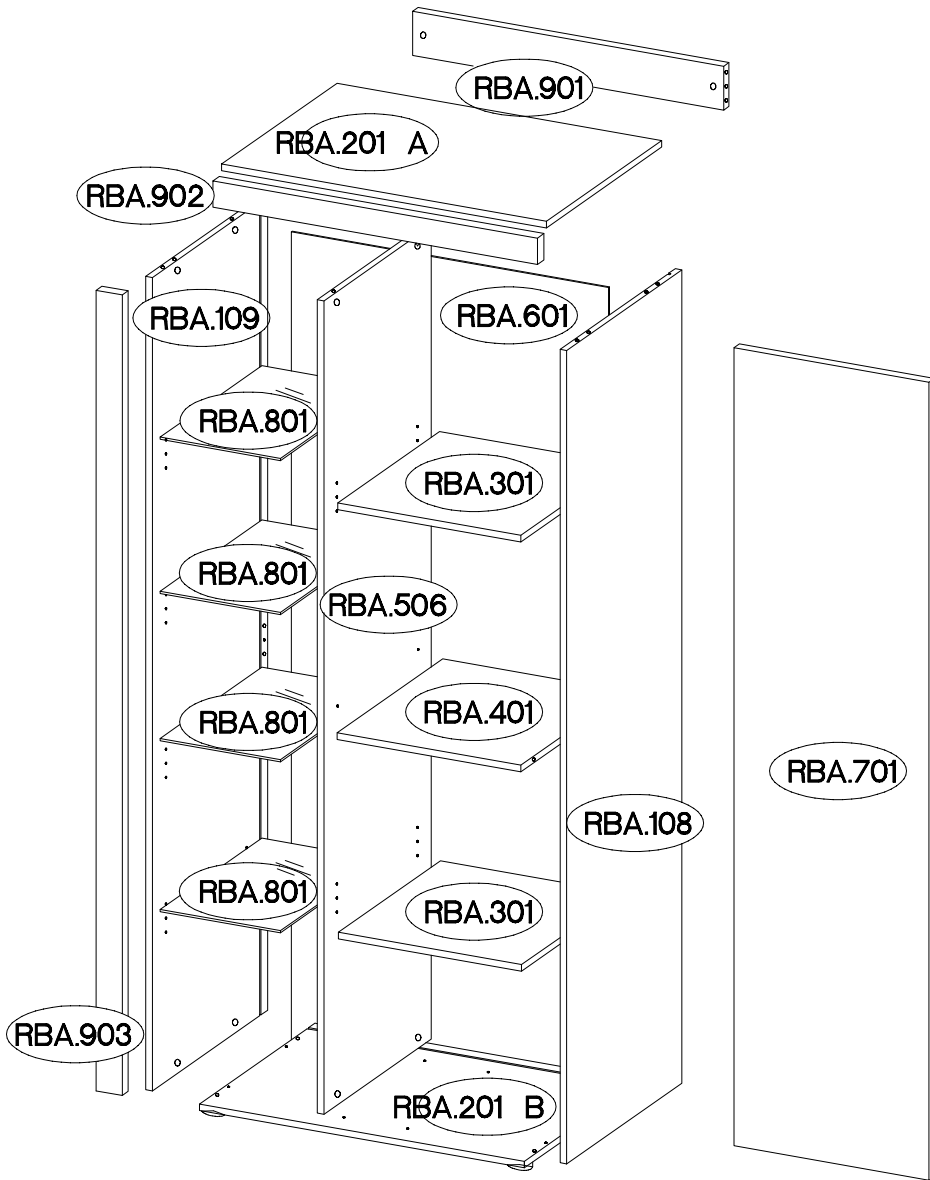
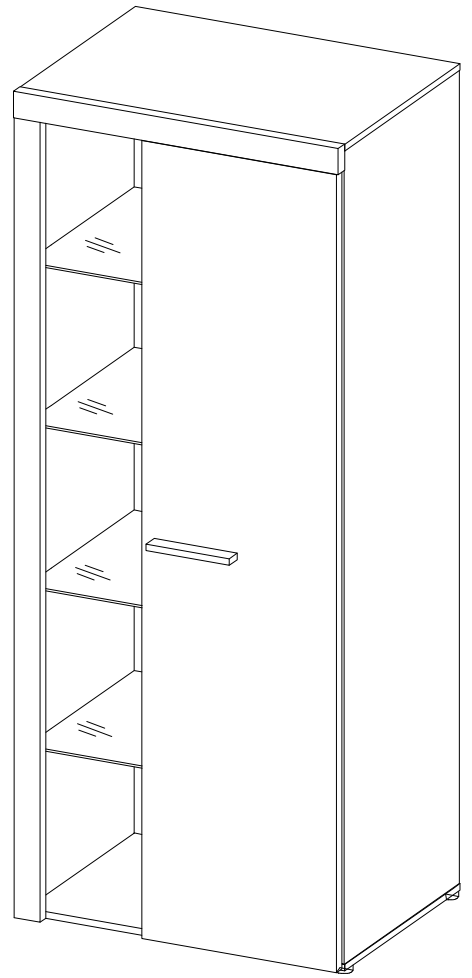
±5/16mm  J3 8	 E 16	 J12 16	±4.0x30mm  R2 2	L=128mm  S1 1
--	---	---	--	--



RBA.801 = max. 2kg

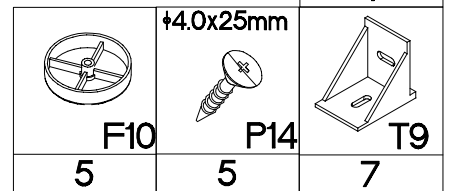
RBA.301 = max. 5kg

RBA.401



T3

1



F10

+4.0x25mm



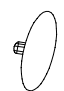
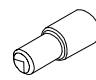

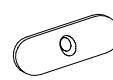
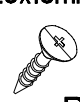
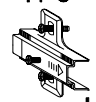
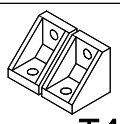


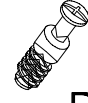

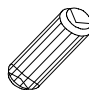
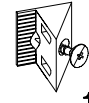
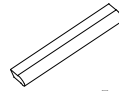
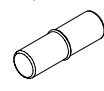
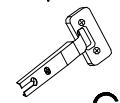
P14

T9

5

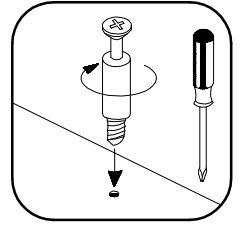
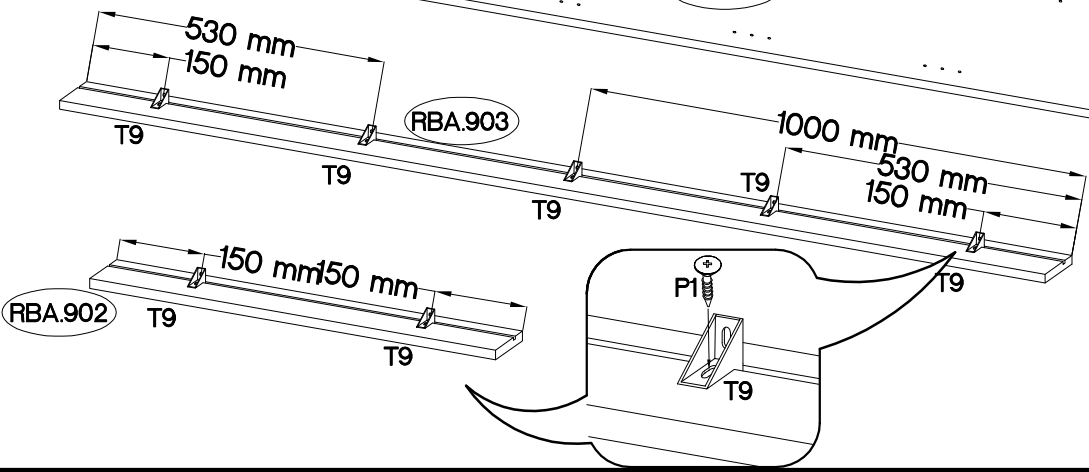
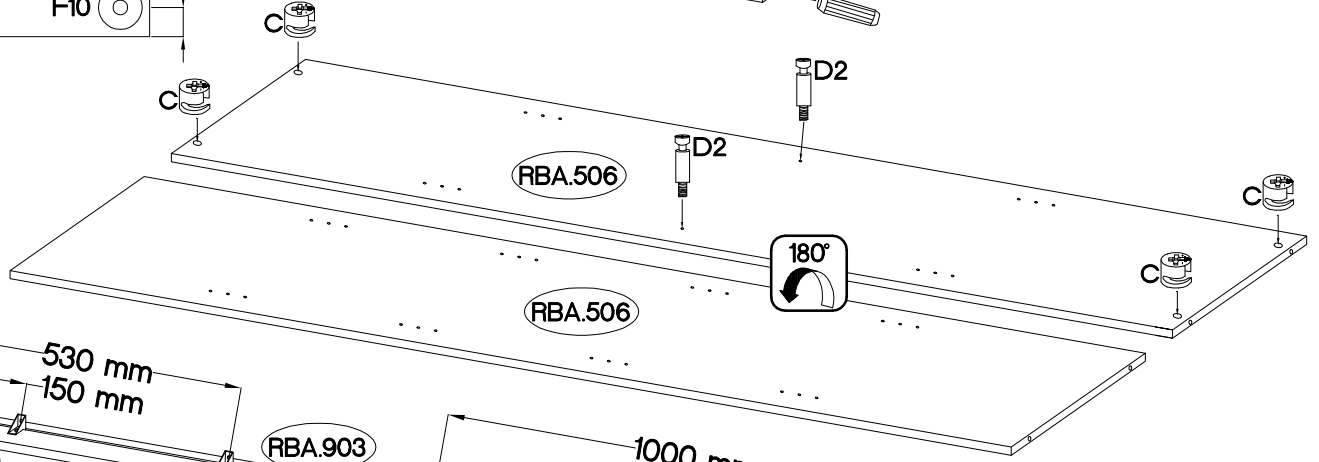
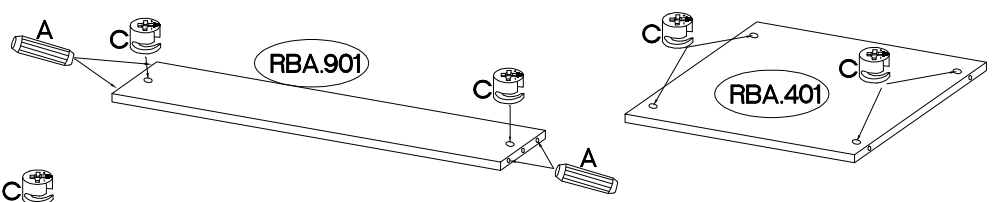
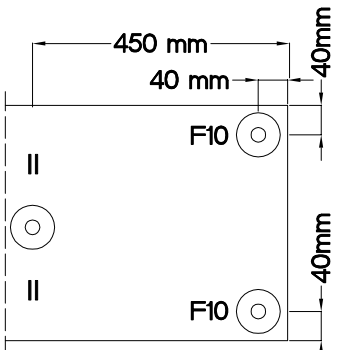
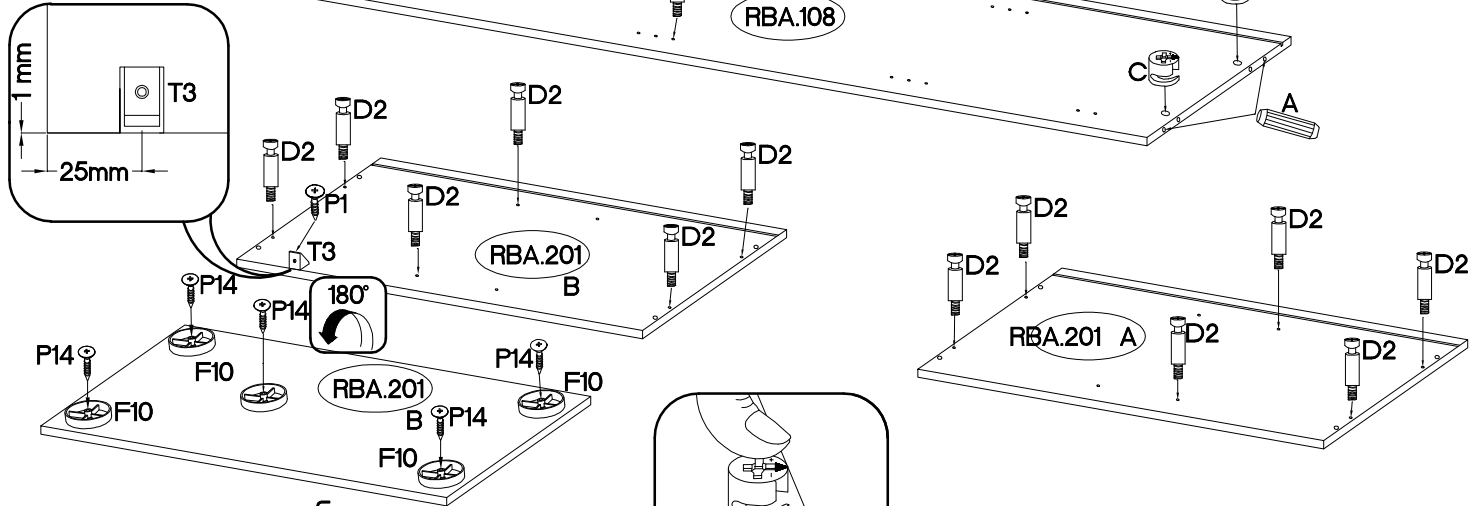
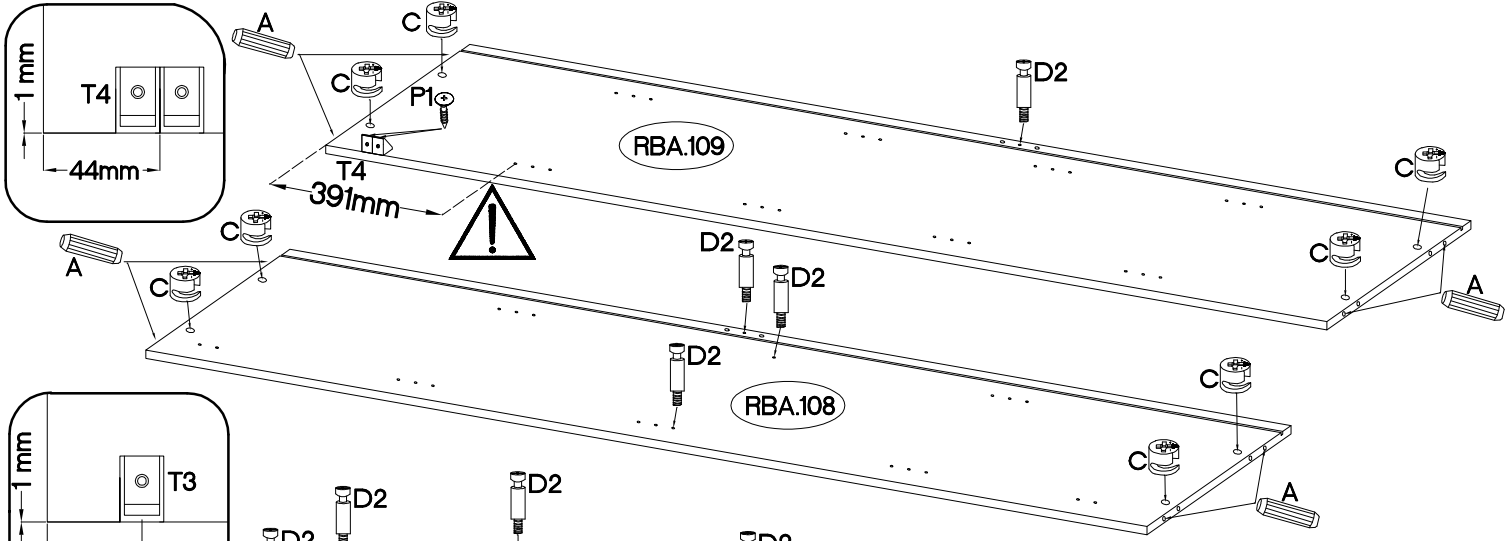
5

7

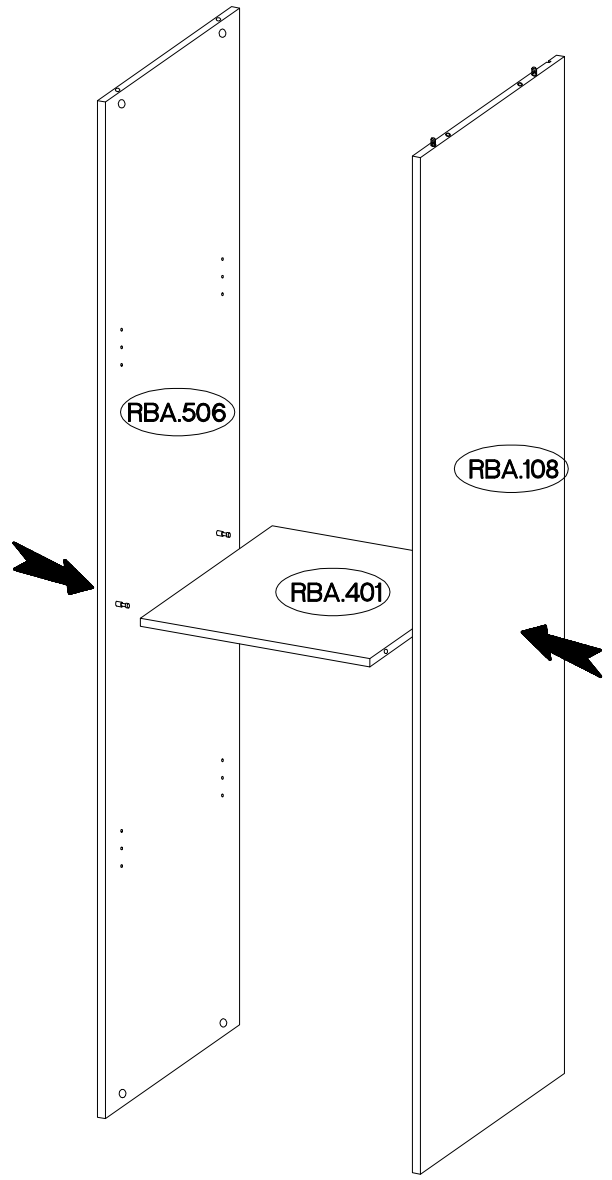
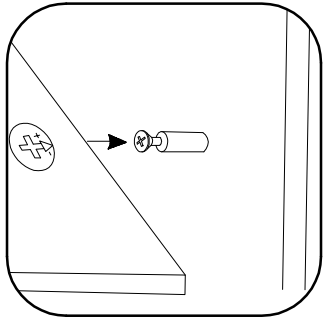
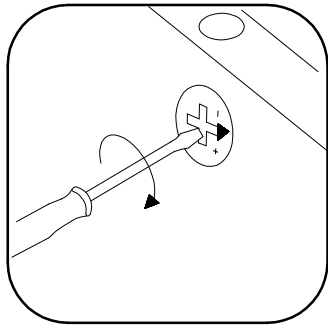
 O7	 L9	 E	 J12	 P5	 L2	 P1	 H	 T4
1	1	16	16	7	10	20	3	1
 R2	 P7	 D2	 C	 A	 12	 S1	 J3	 G
2	10	18	18	12	12	1	8	3

3B :

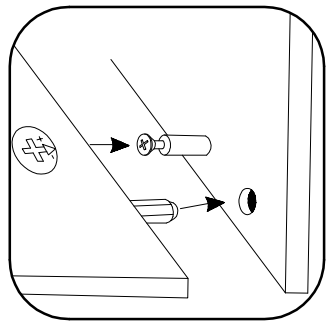
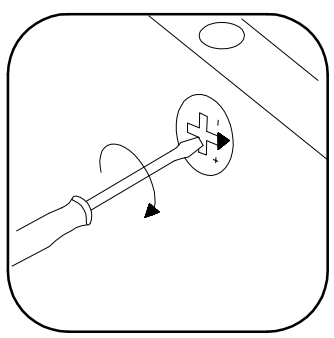
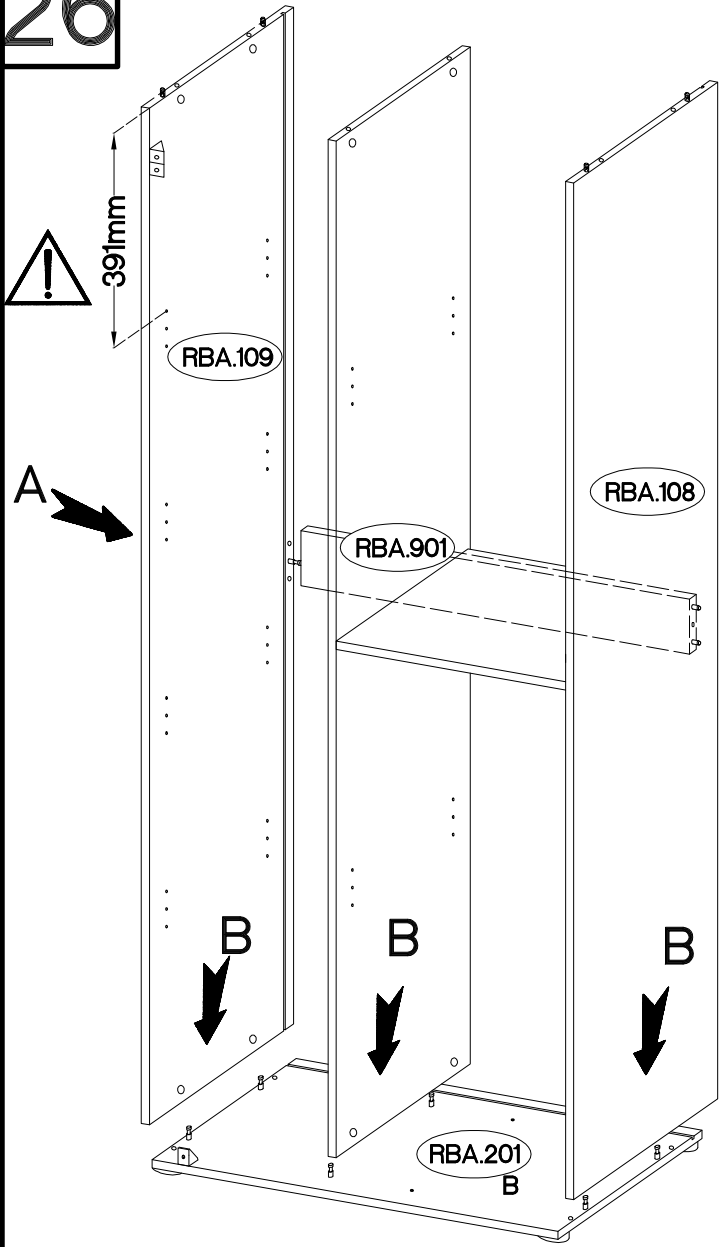
L=20mm 	+15/12mm 	+8x30mm 				+4.0x16mm 		+4.0x25mm
D2	C	A	T9	T4	T3	P1	F10	P14
18	18	12	7	1	1	10	5	5



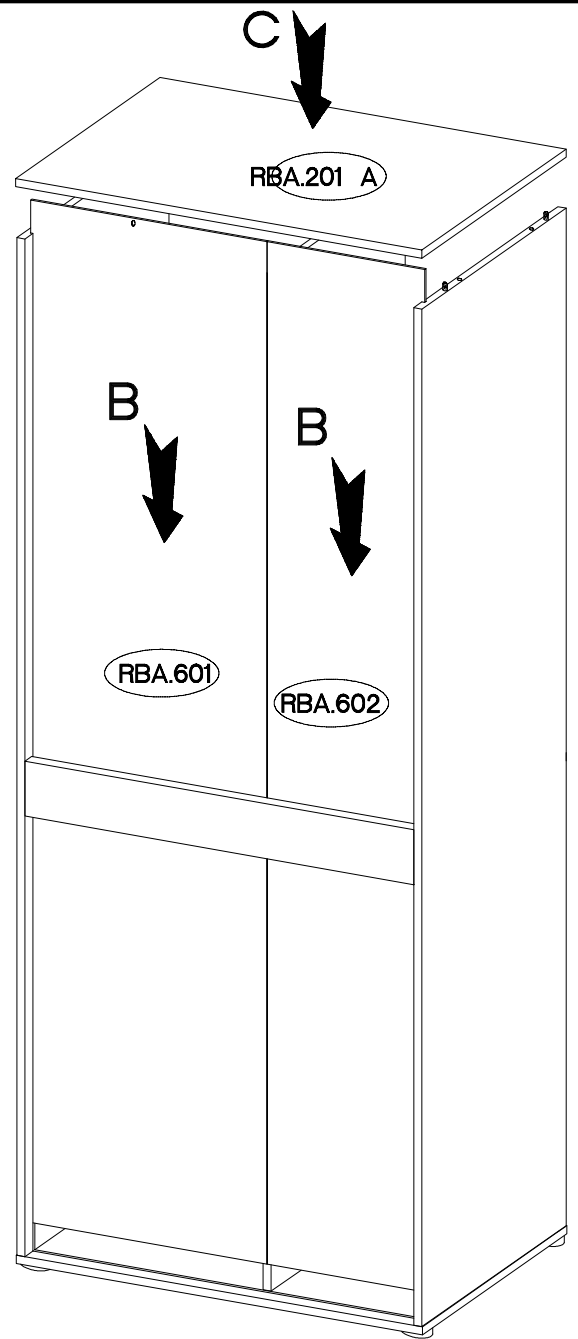
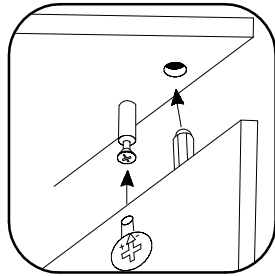
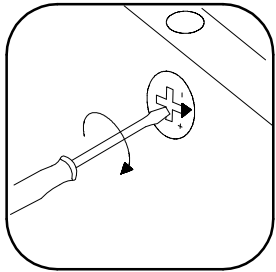
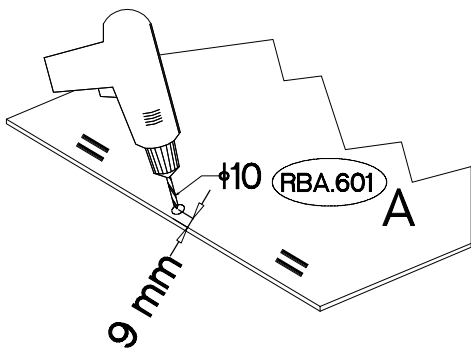
25



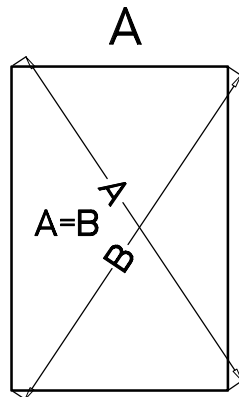
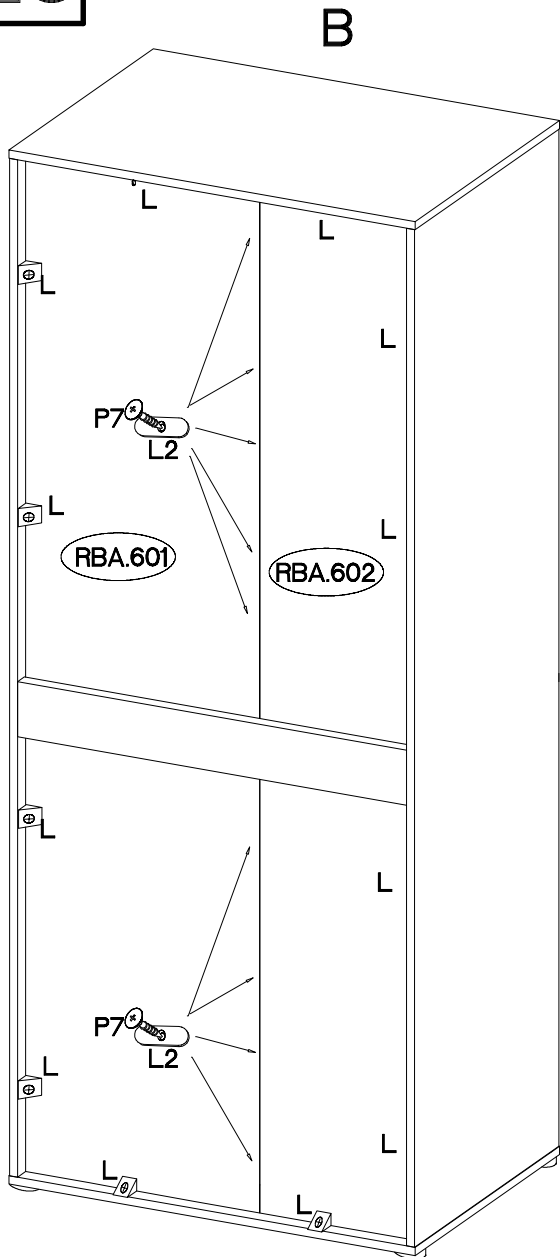
26



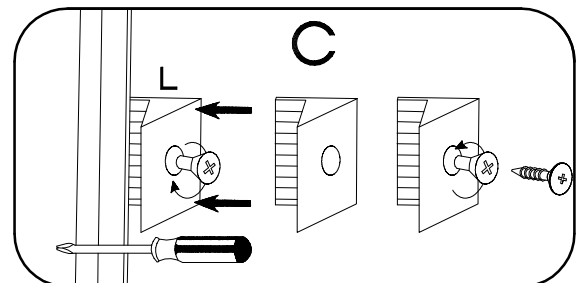
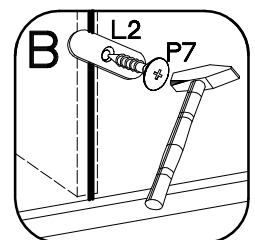
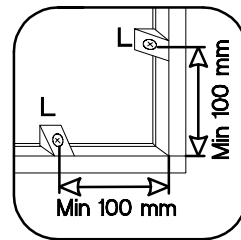
27



28



$\phi 3.0 \times 20 \text{mm}$		
P7	L2	L
9	9	12



29

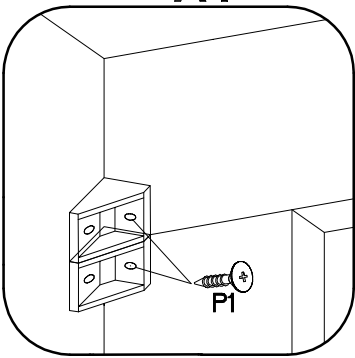
±4.0x16mm



P1

10

x1



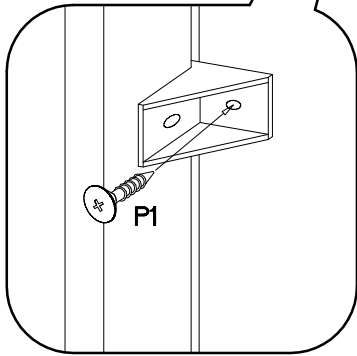
RBA.902



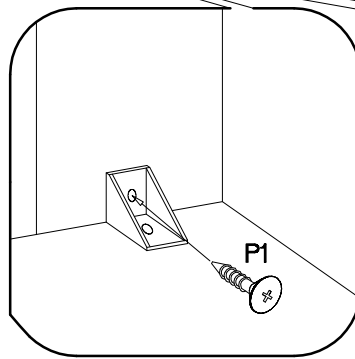
B

RBA.903

x5



x1



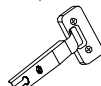
30

H=0



3

±35/0mm

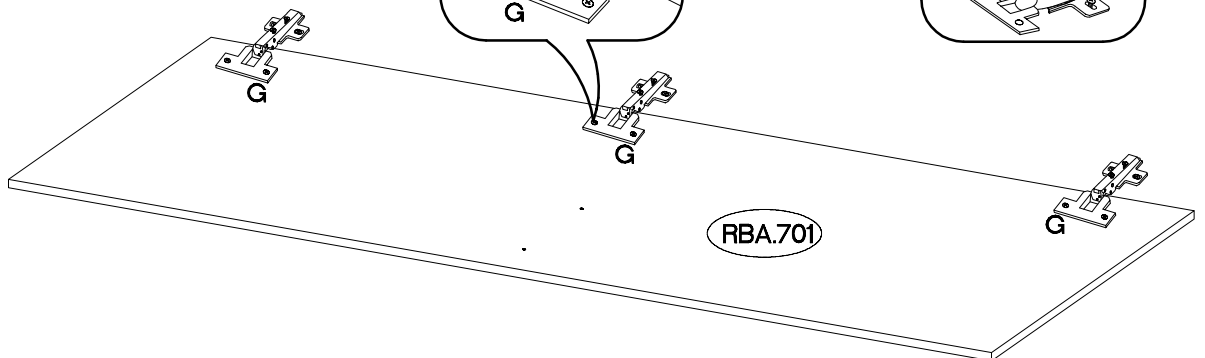
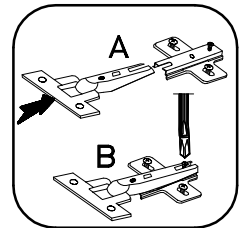
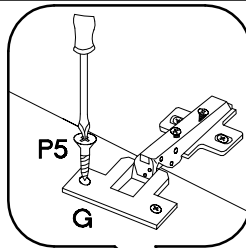


3

±3.5x13mm

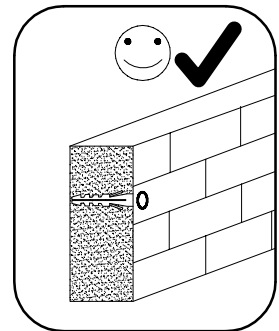
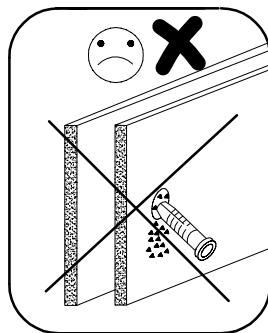
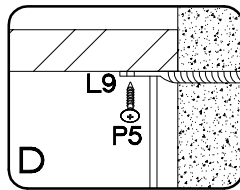
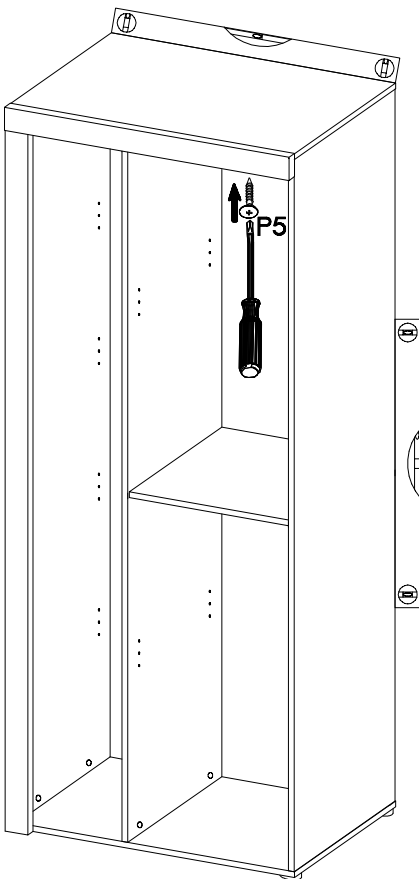
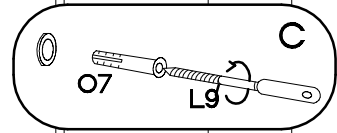
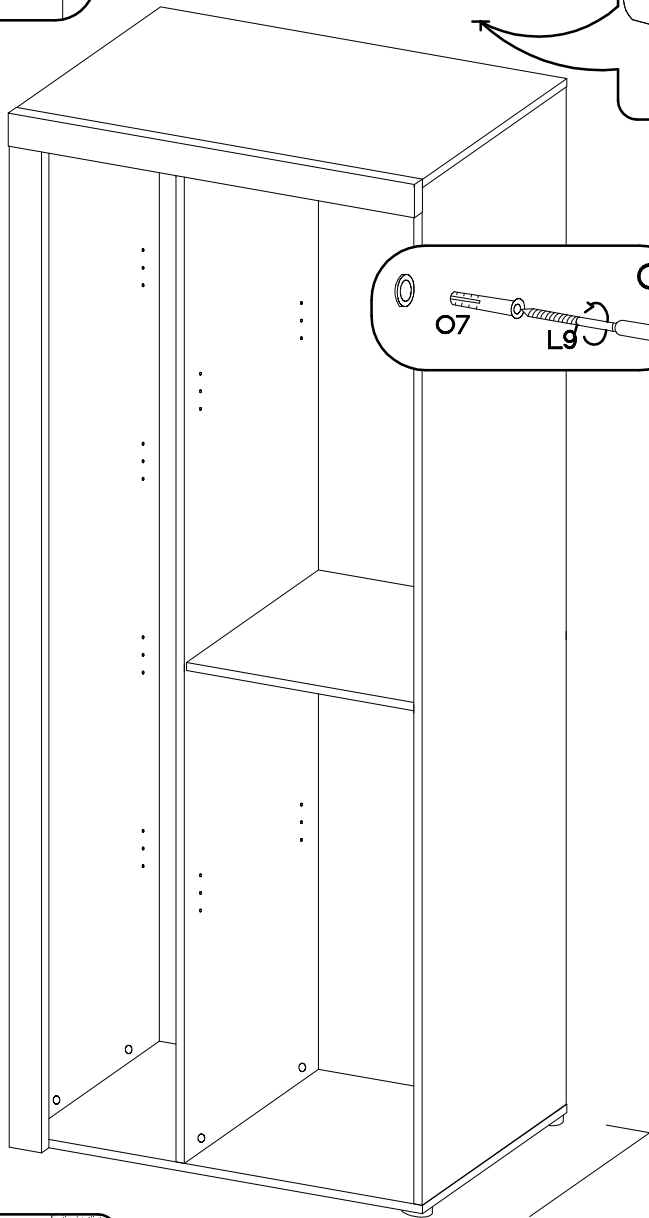
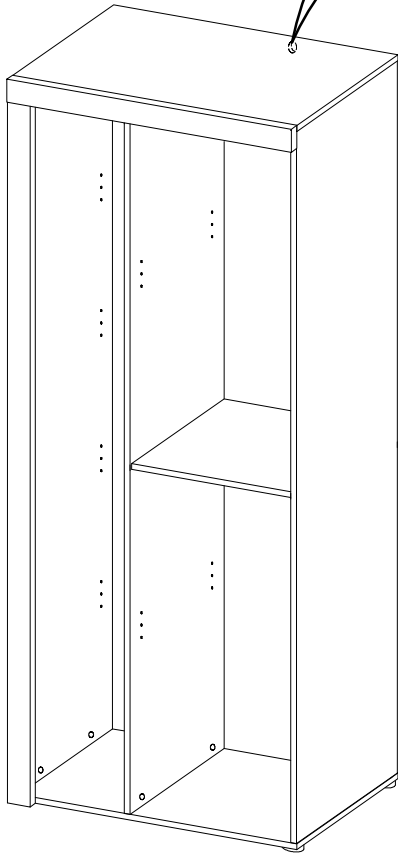
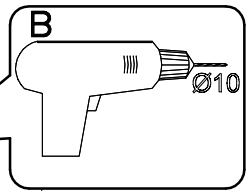
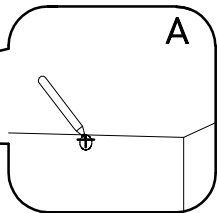


6

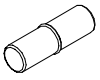

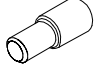

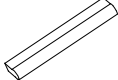


RBA.701

31



<p>†10x50mm</p> <p>Ø7</p> <p>1</p>	<p>†L9</p> <p>L9</p> <p>1</p>	<p>†3.5x13mm</p> <p>P5</p> <p>1</p>
------------------------------------	-------------------------------	-------------------------------------

±5/16mm  J3 8	 E 16	 J12 16	±4.0x30mm  R2 2	L=128mm  S1 1
--	---	---	--	--

