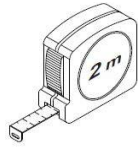
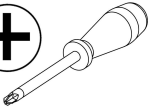
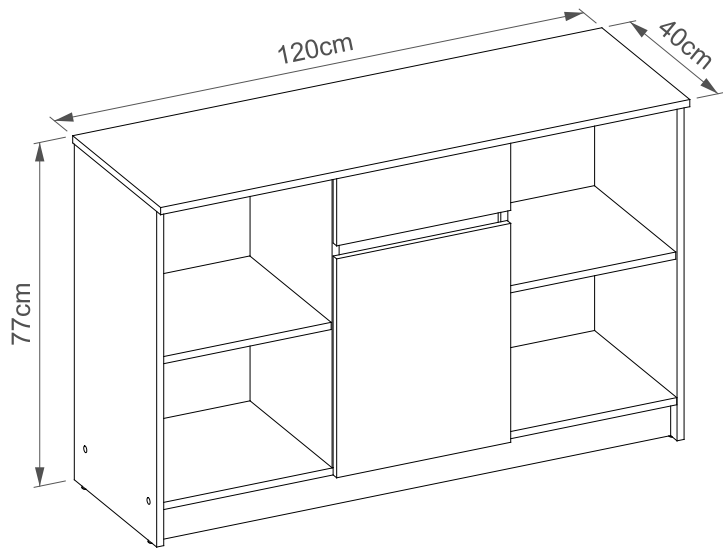
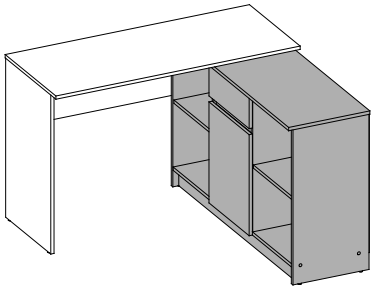


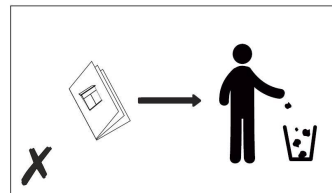
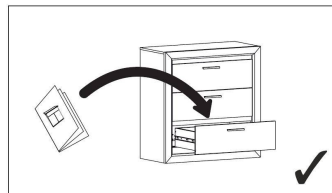
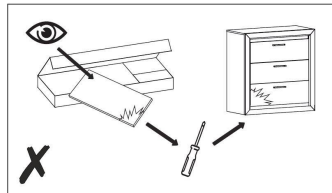
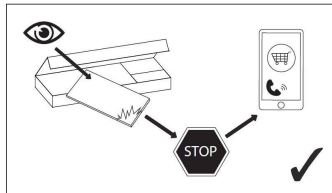
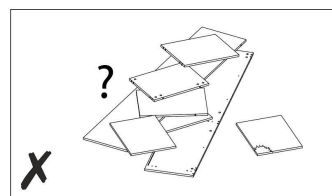
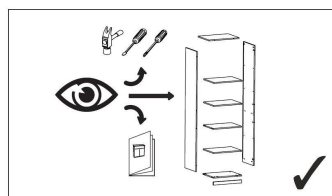
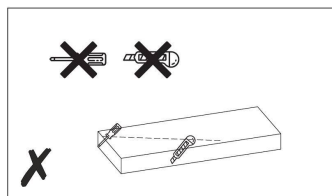
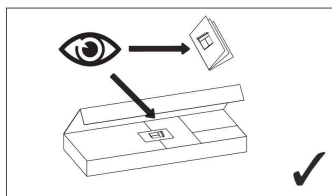
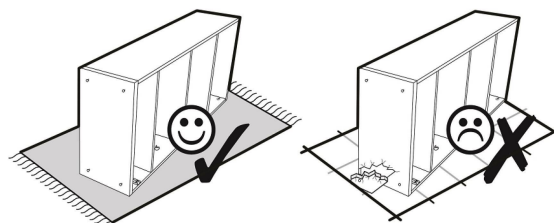
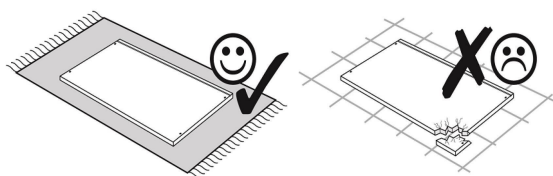


~90 min

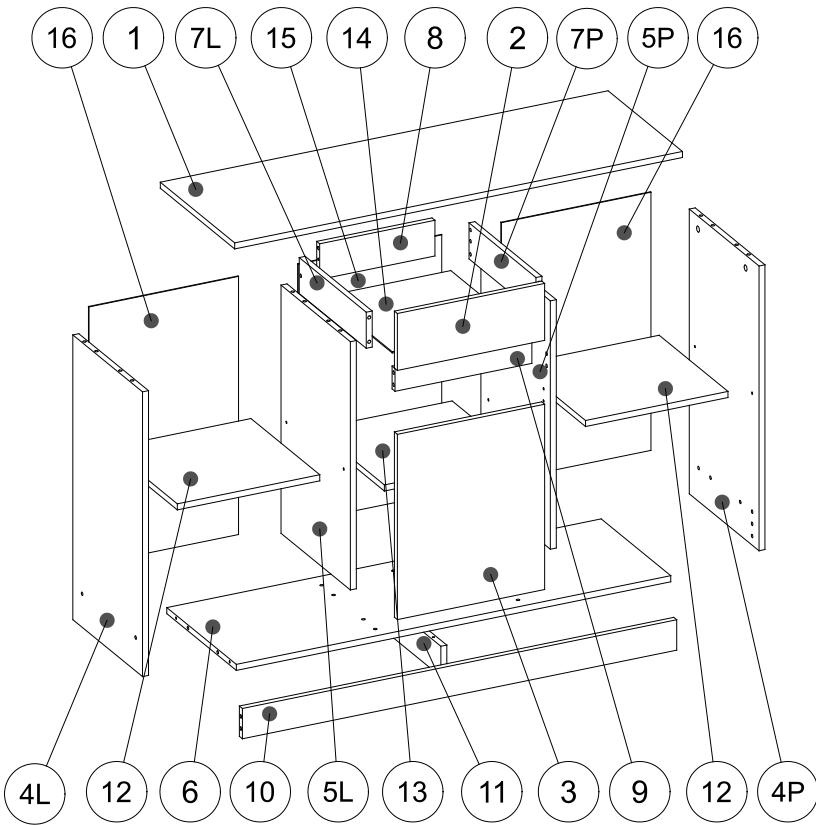


B-17

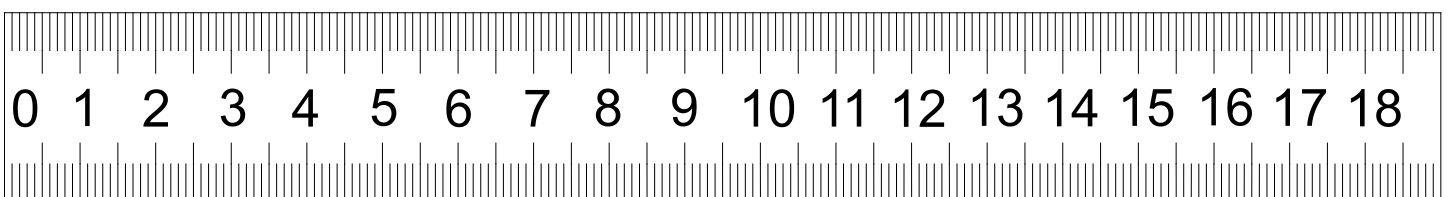
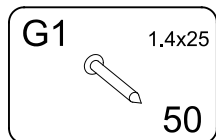
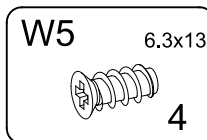
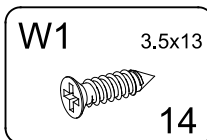
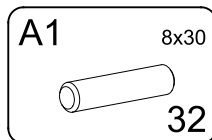
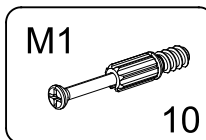
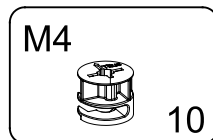
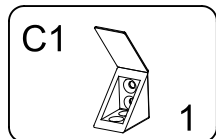
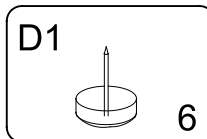
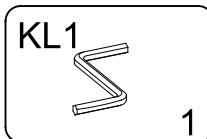
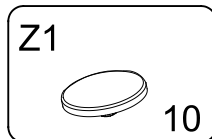
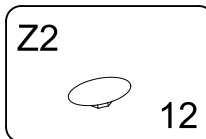
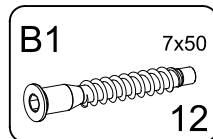
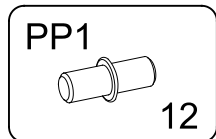
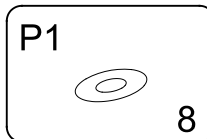
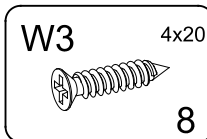
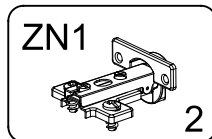
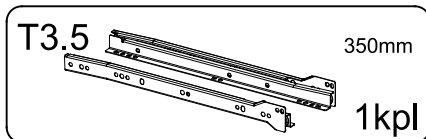




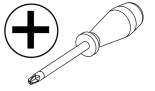
B-17



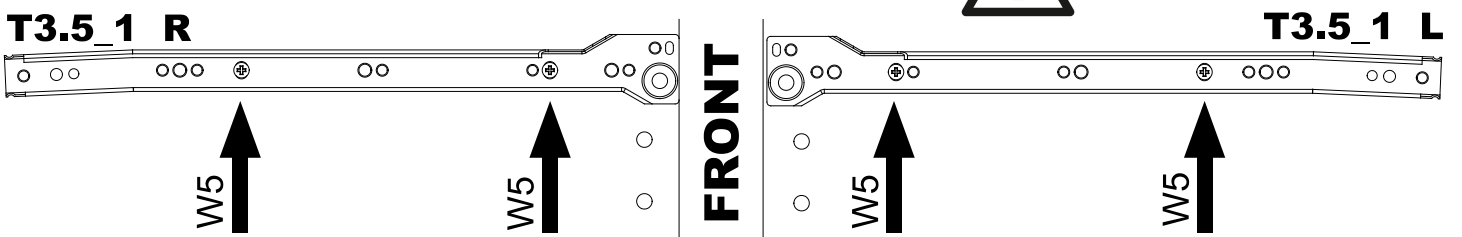
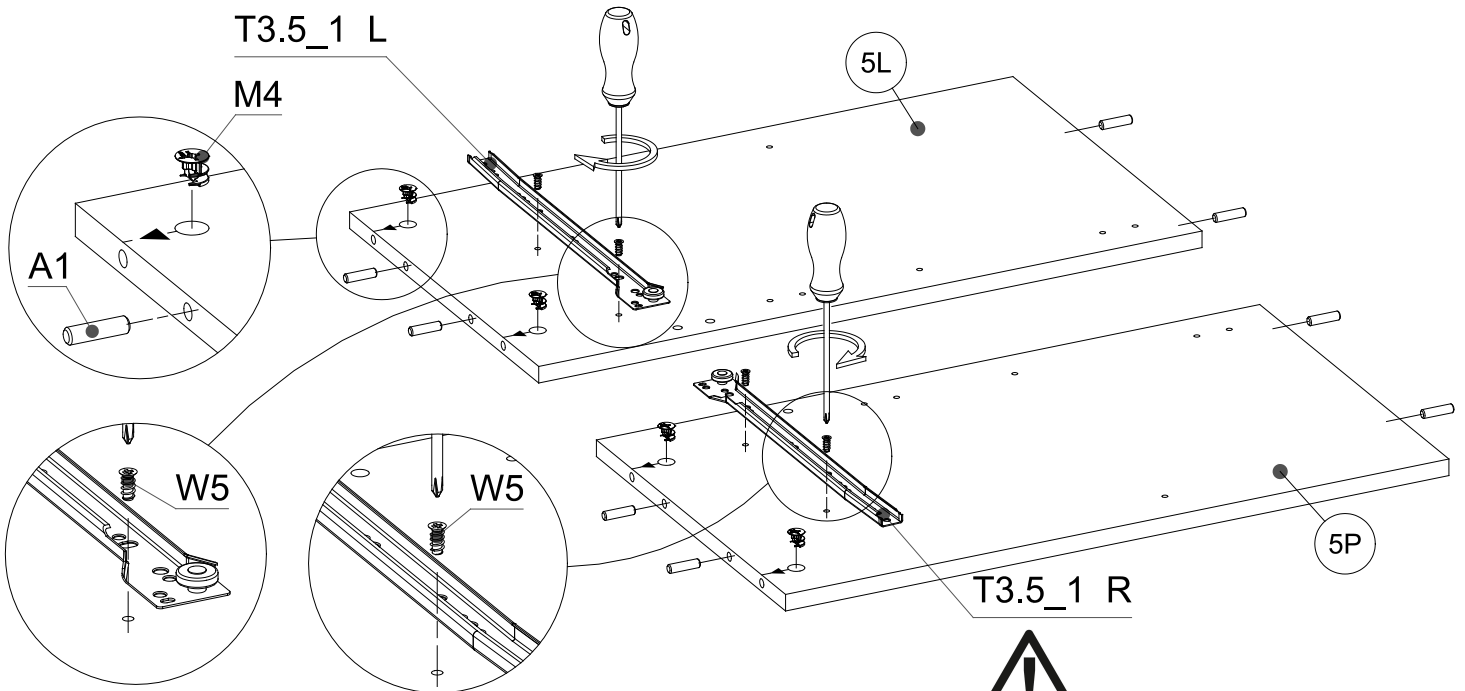
1	1204x400x16mm	1
2	396x150x16mm	1
3	488x396x16mm	1
4L	750x375x16mm	1
4P	750x375x16mm	1
5L	654x373x16mm	1
5P	654x373x16mm	1
6	1168x374x16mm	1
7L	360x95x16mm	1
7P	360x95x16mm	1
8	310x94x16mm	1
9	368x60x16mm	1
10	1168x80x16mm	1
11	327x80x16mm	1
12	383x370x16mm	2
13	367x370x16mm	1
14	365x340x3mm	1
15	680x386x3mm	1
16	680x402x3mm	2



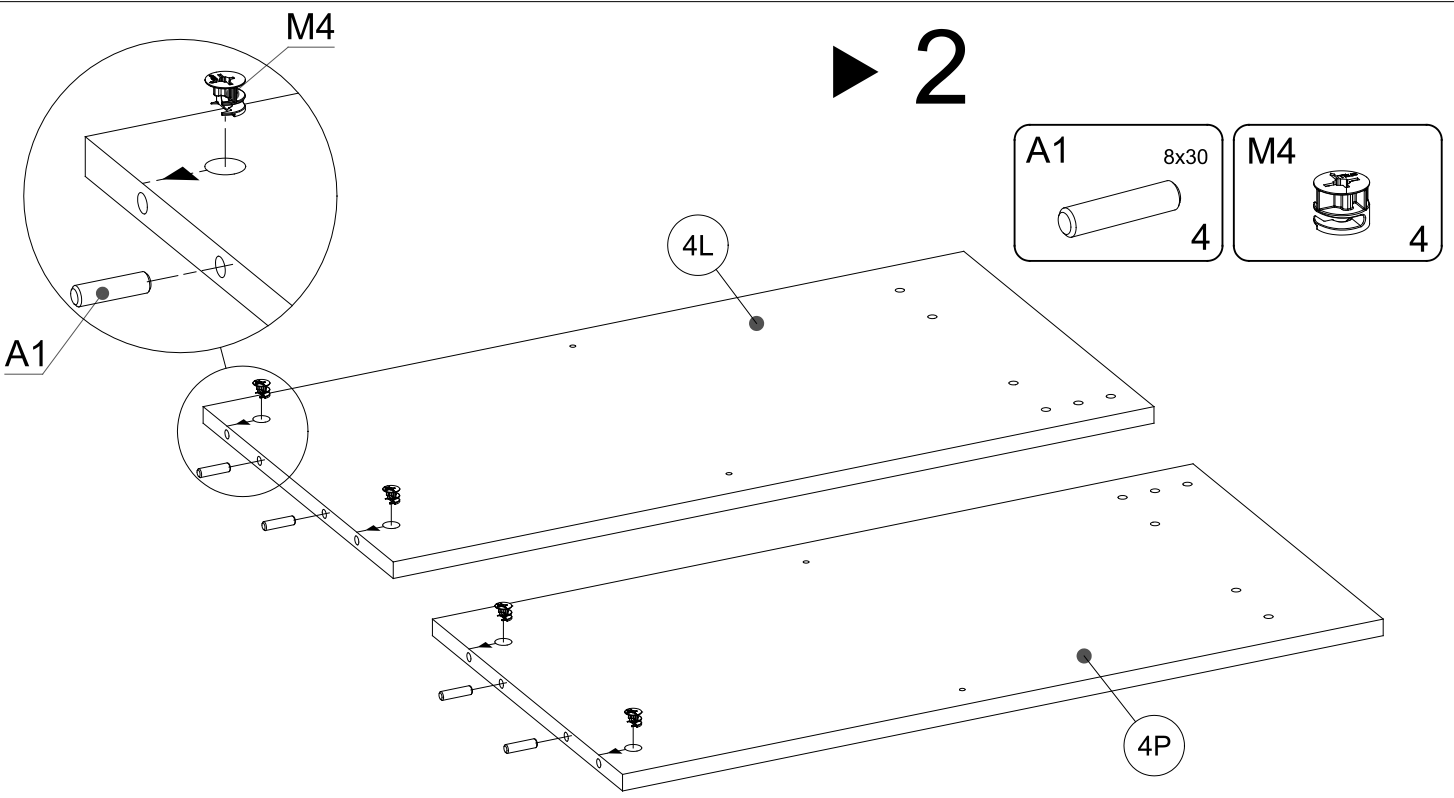
▶ 1



A1 8x30 8	W5 6.3x13 4	T3.5_1 L/R 350mm 1kpl	M4 4
------------------------	--------------------------	------------------------------------	----------------

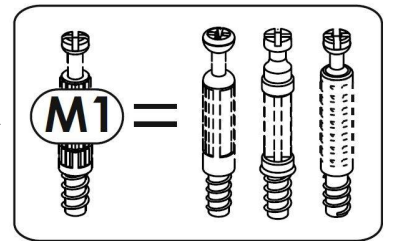
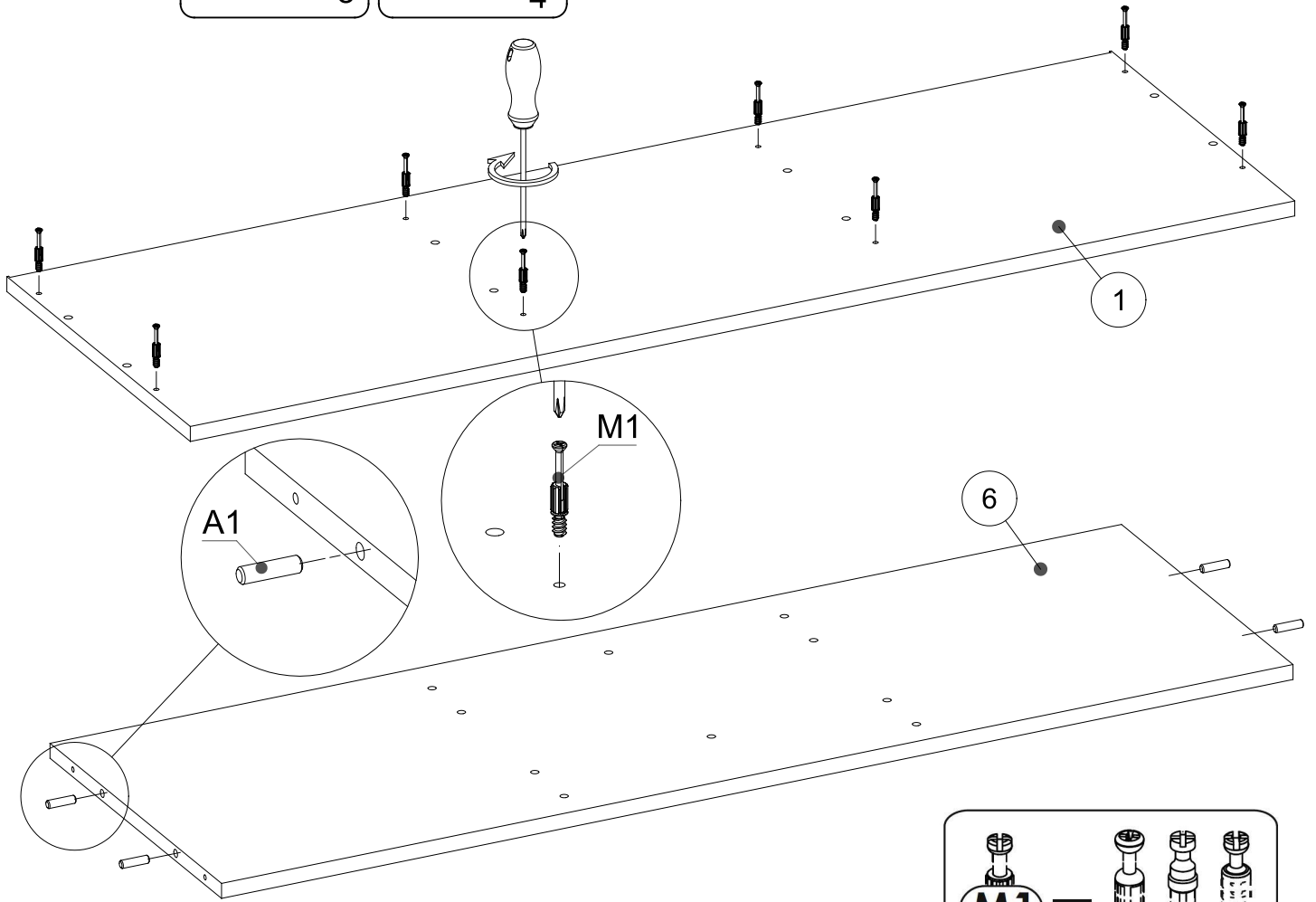
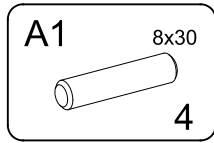
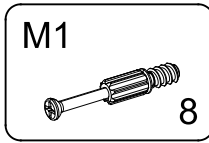
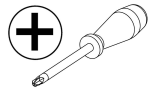


▶ 2

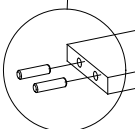
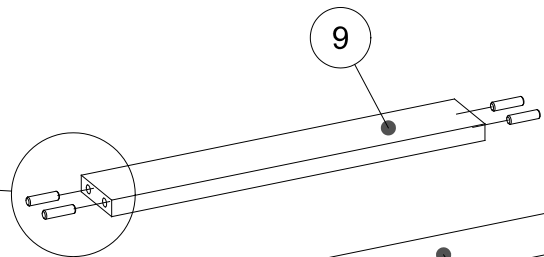
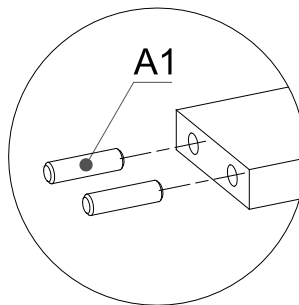
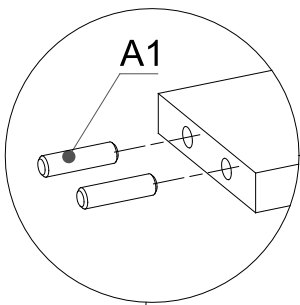
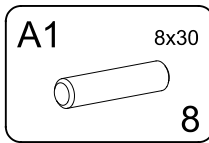


A1 8x30 4	M4 4
------------------------	----------------

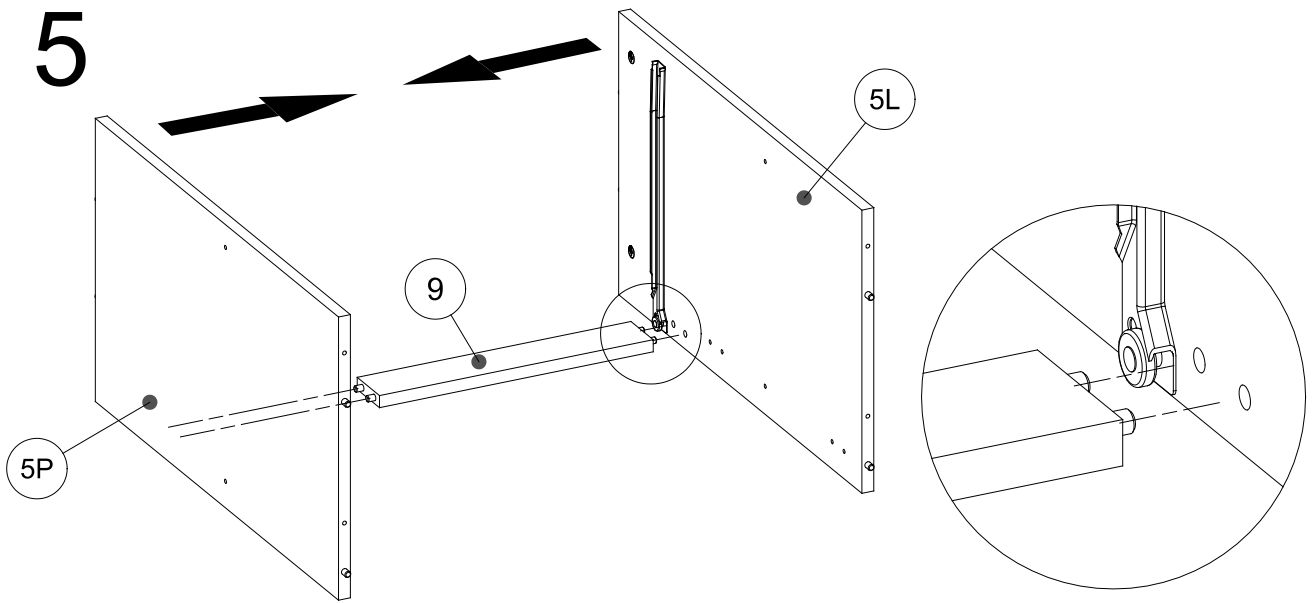
▶ 3



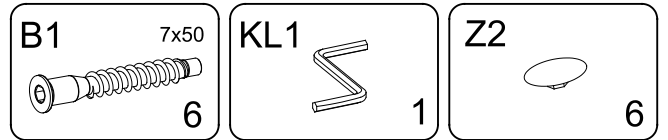
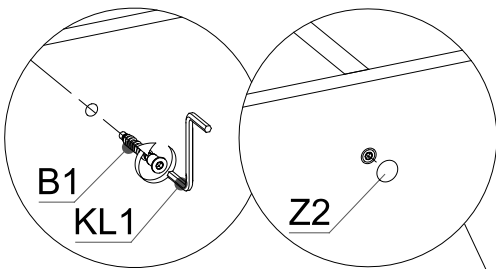
▶ 4



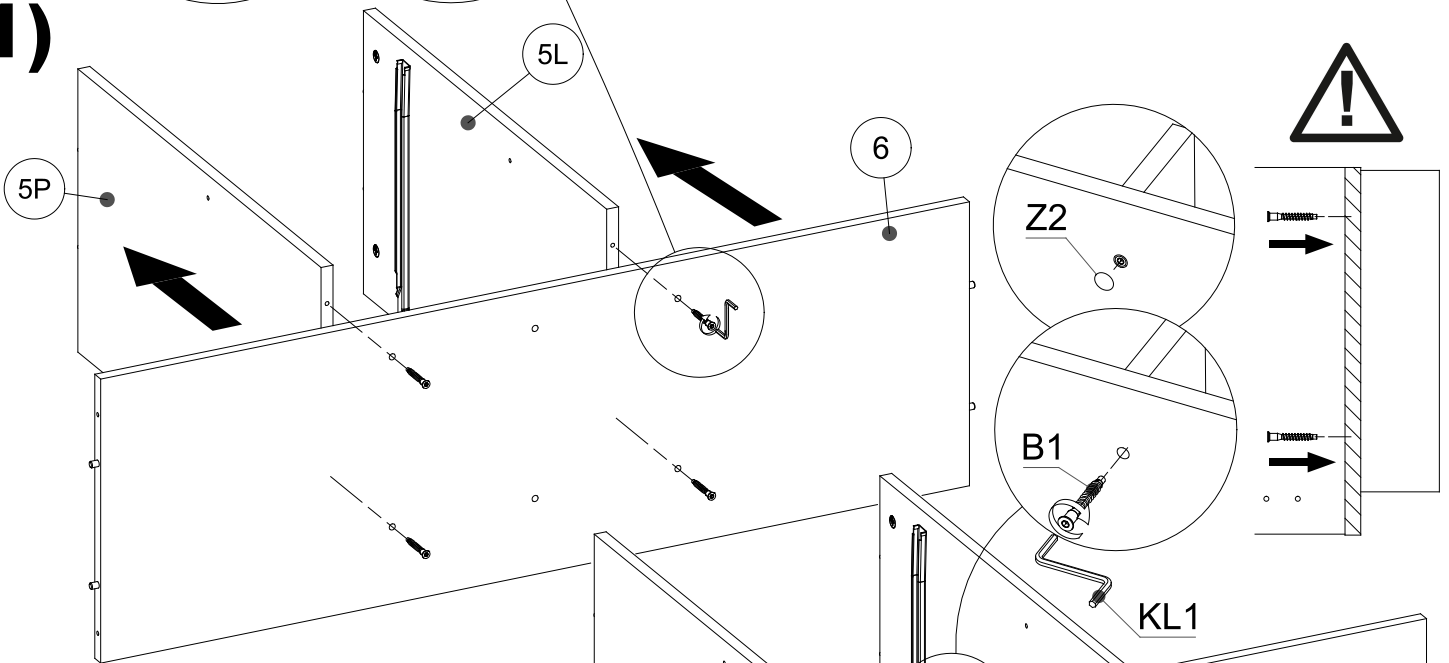
▶ 5



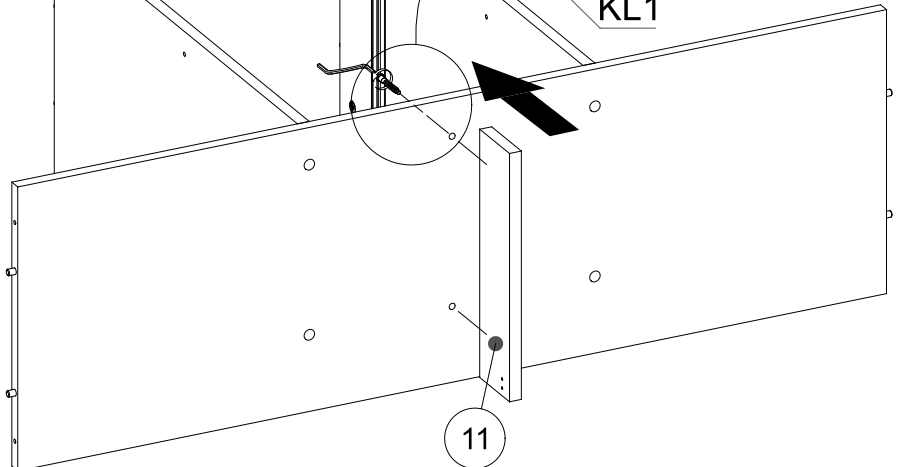
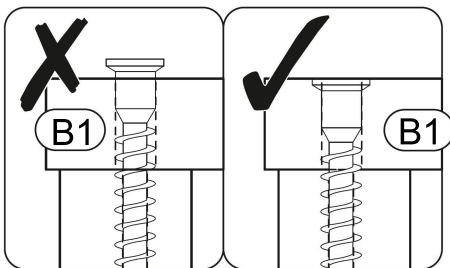
▶ 6



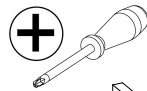
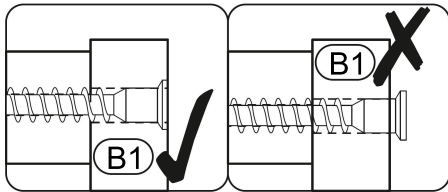
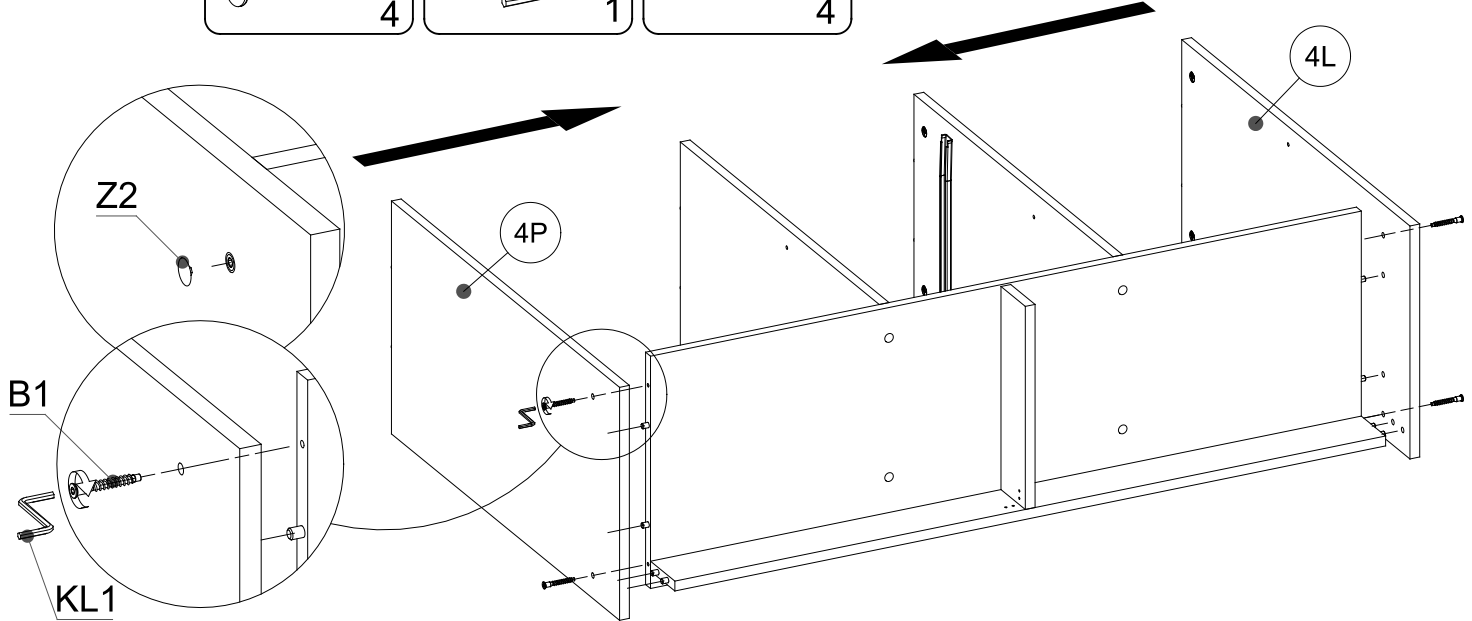
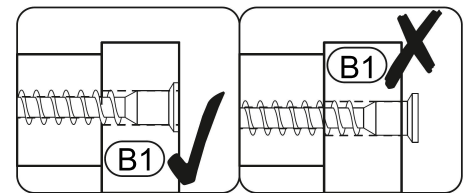
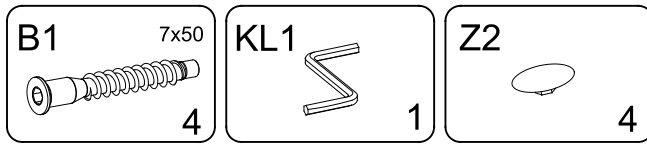
1)



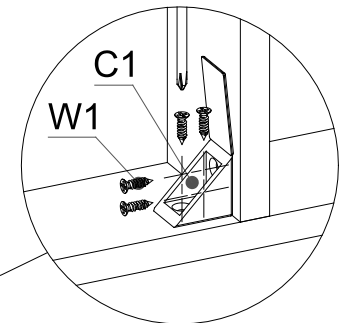
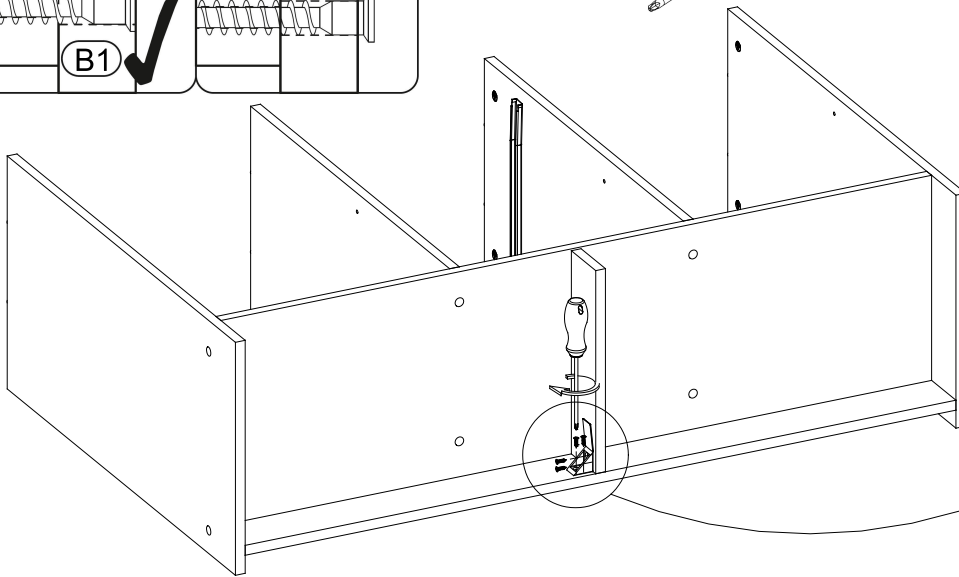
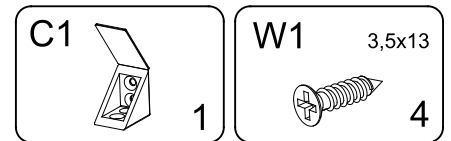
2)



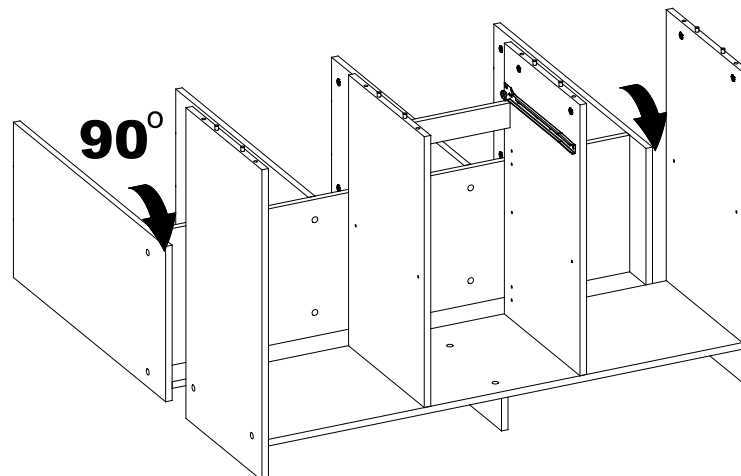
▶ 7



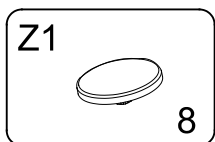
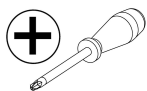
▶ 8



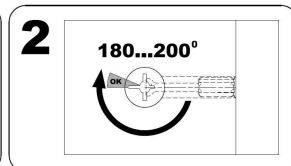
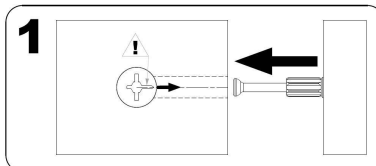
▶ 9



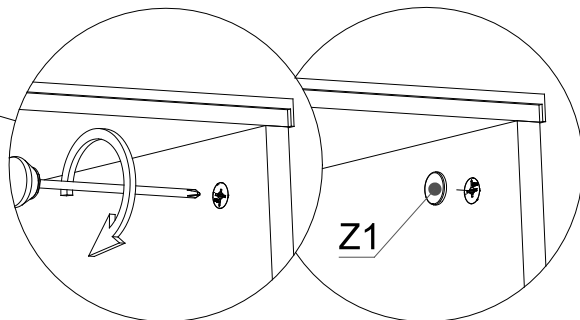
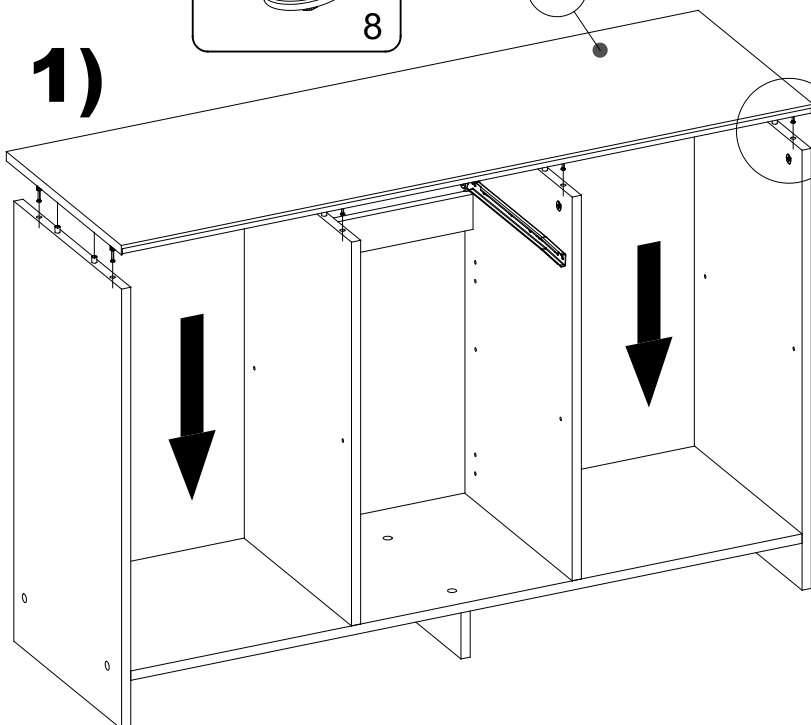
▶ 10



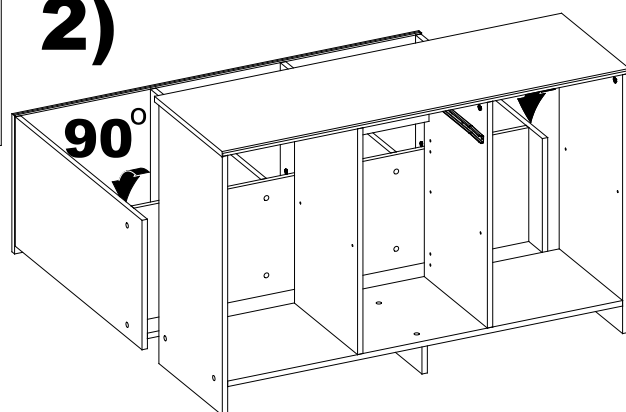
1



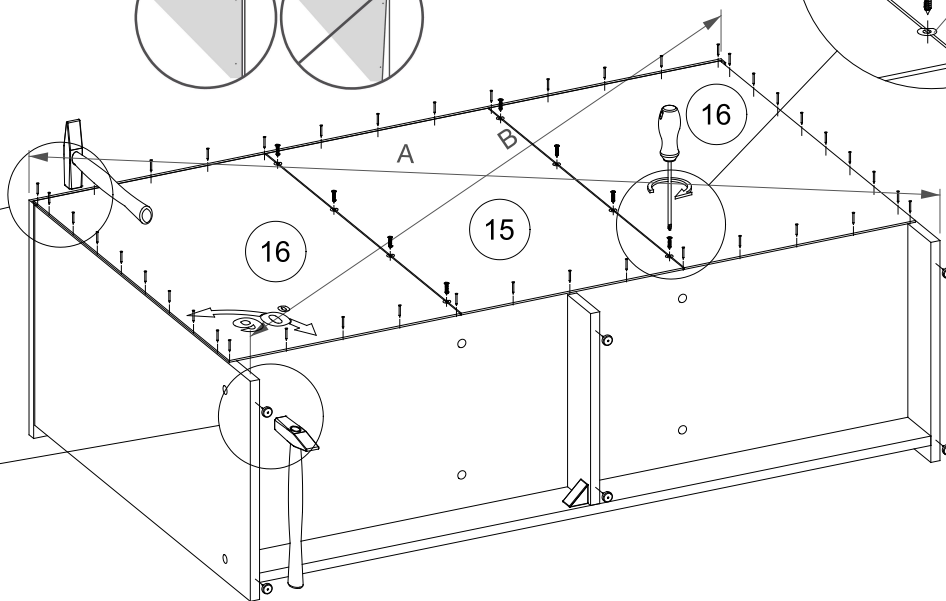
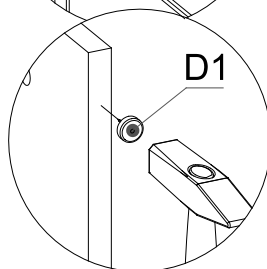
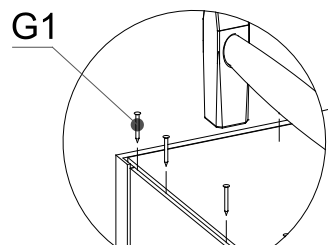
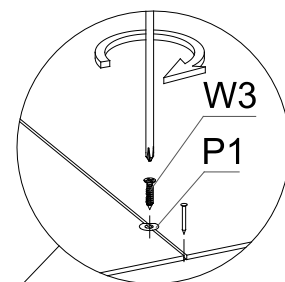
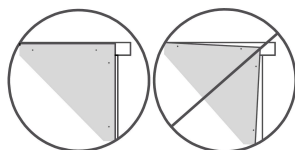
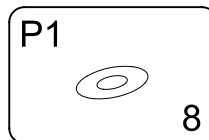
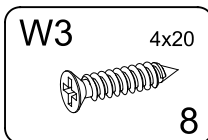
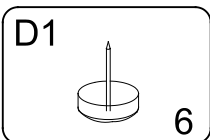
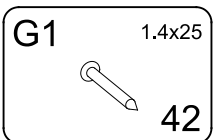
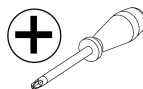
1)



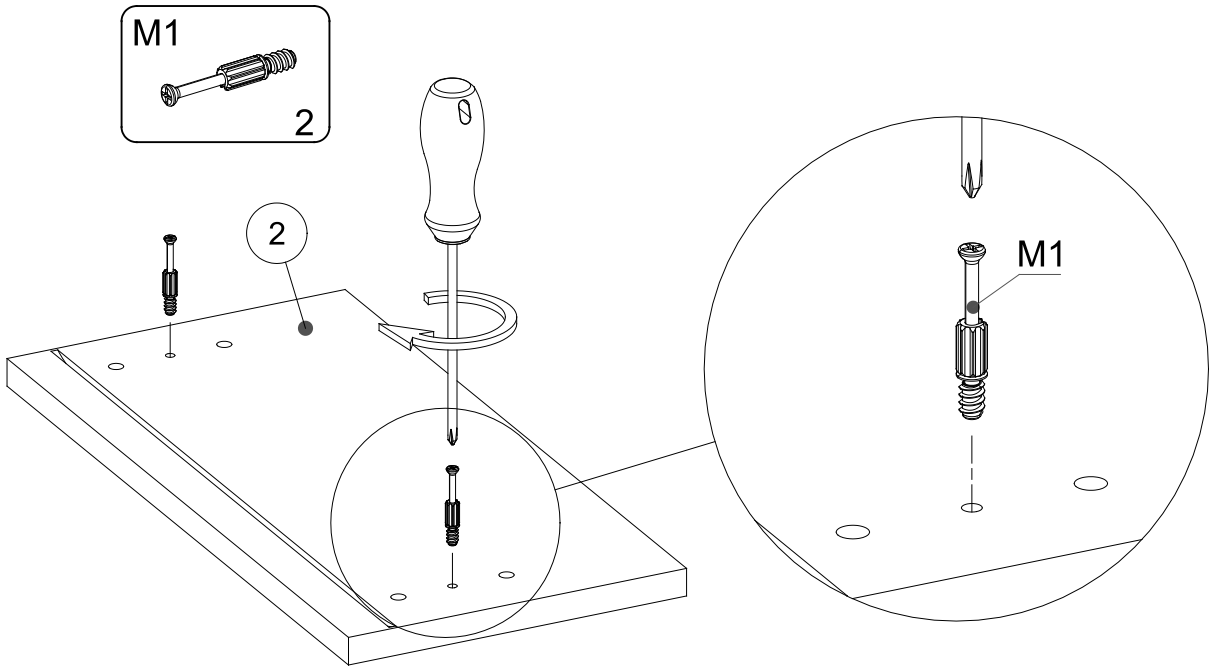
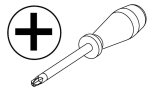
2)



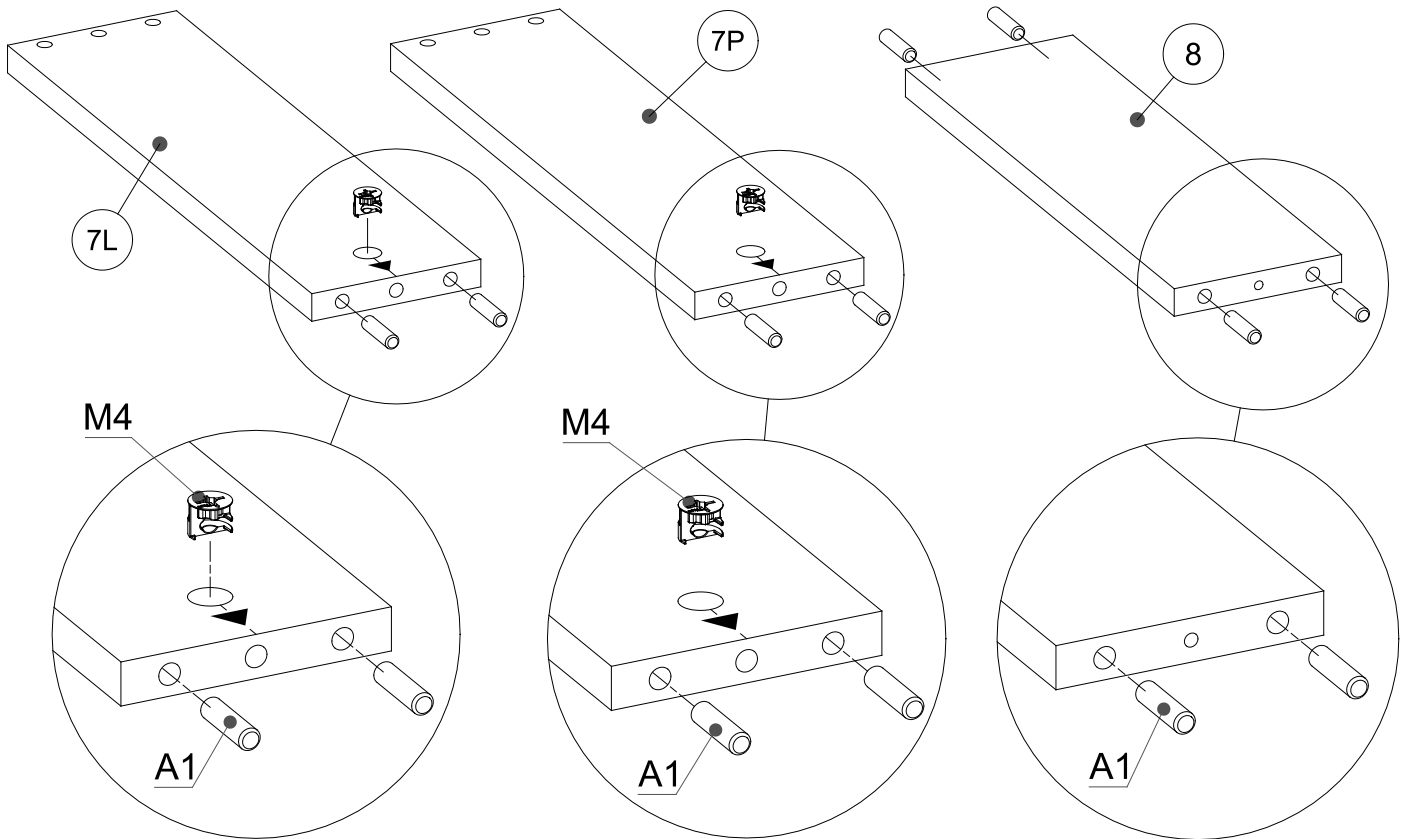
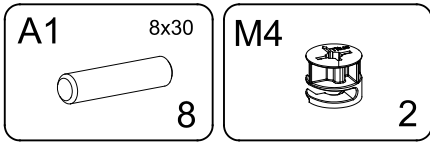
▶ 11



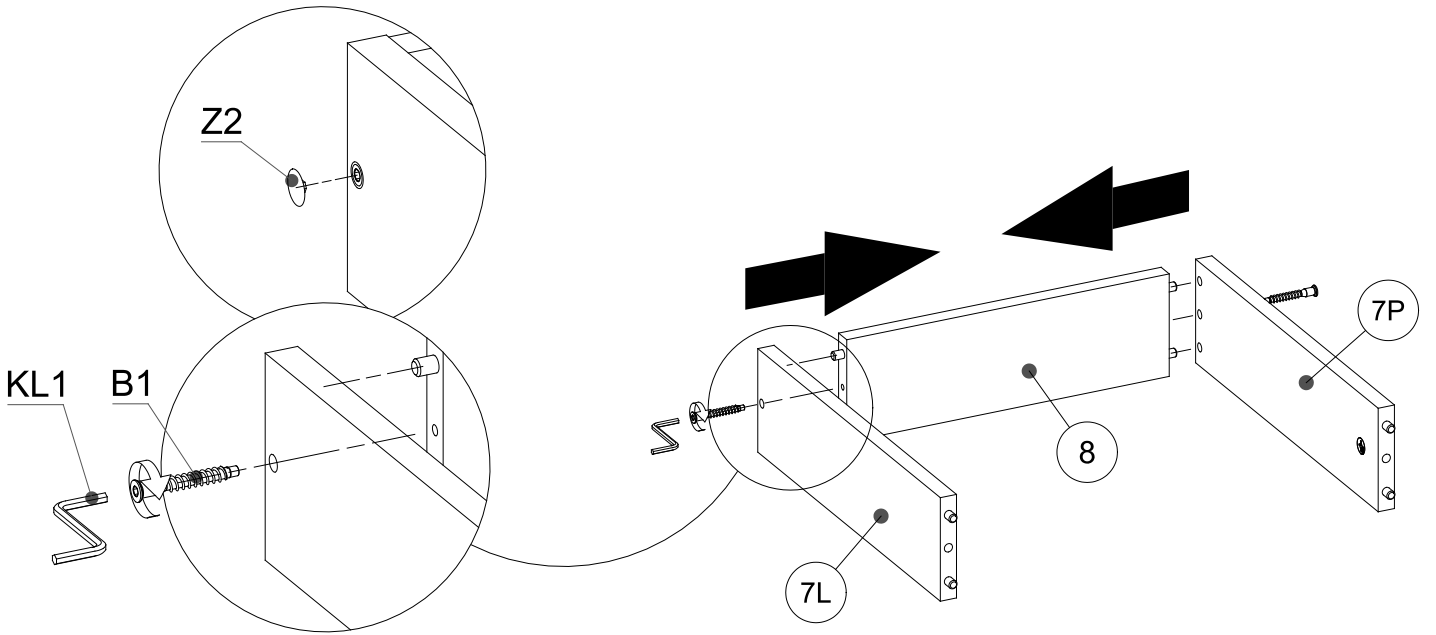
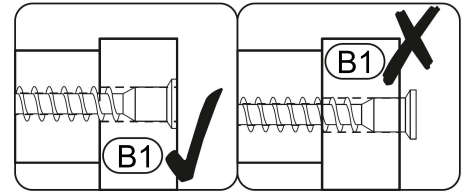
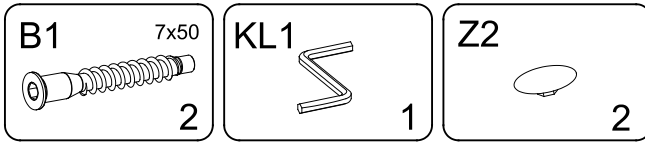
▶ 12



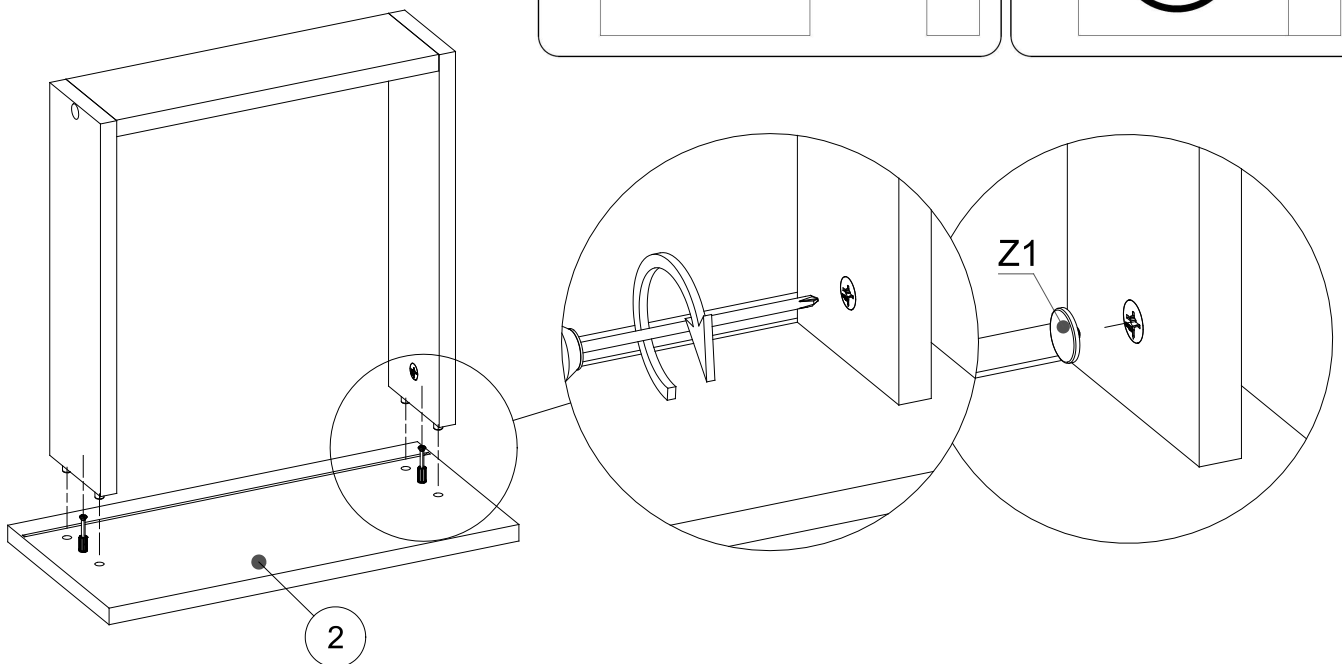
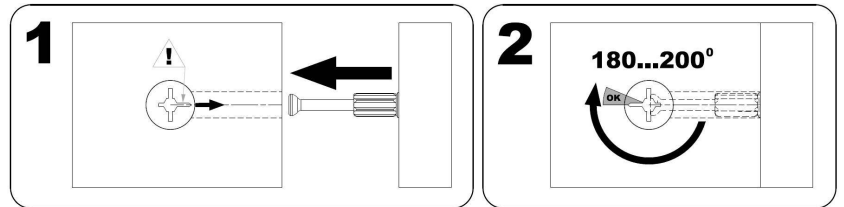
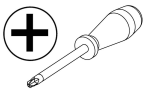
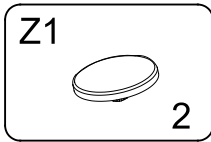
▶ 13



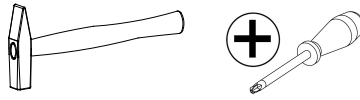
► 14



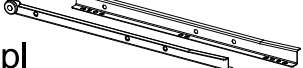


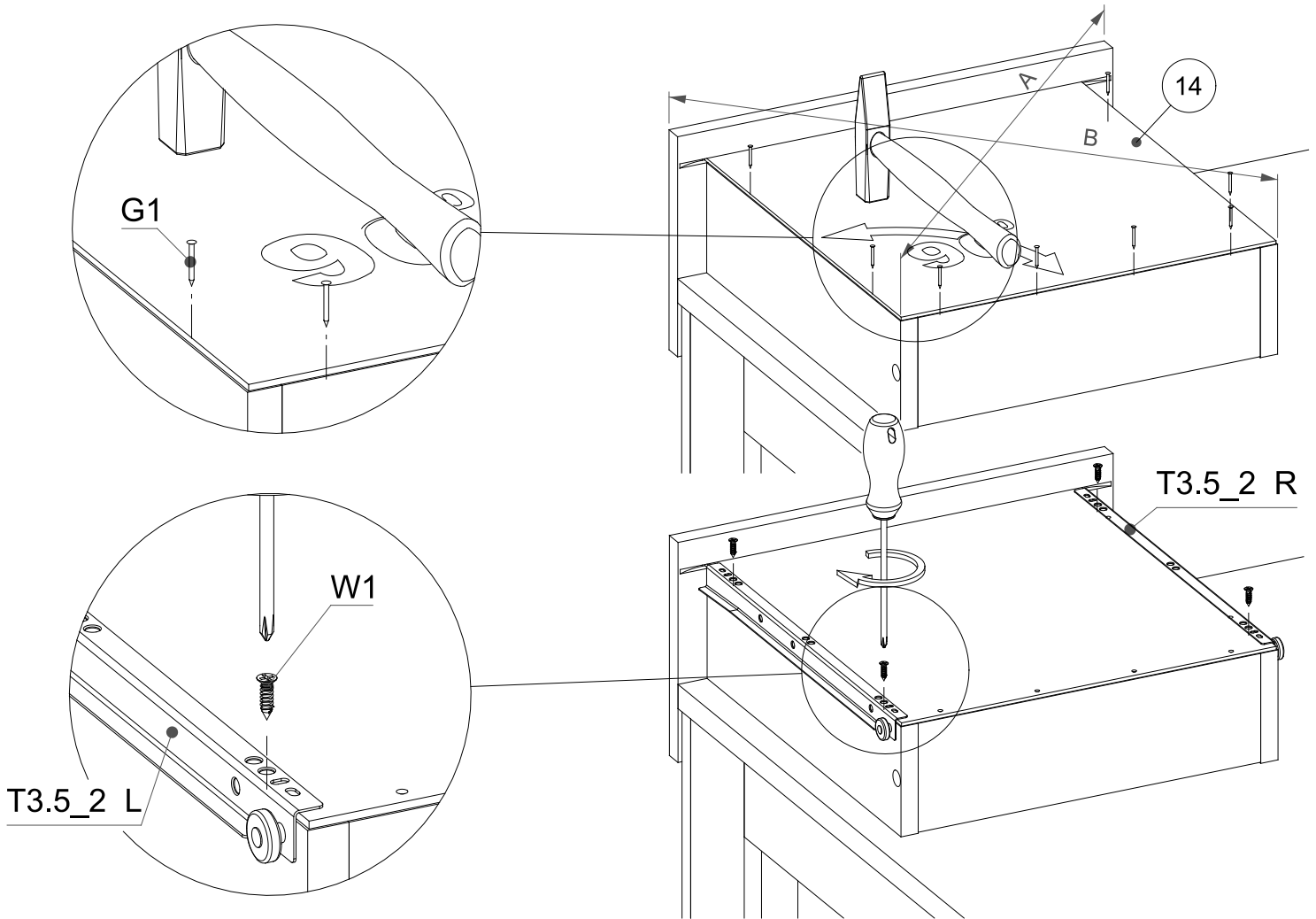
► 15



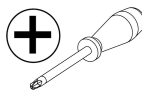
▶ 16

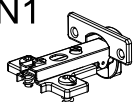
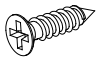


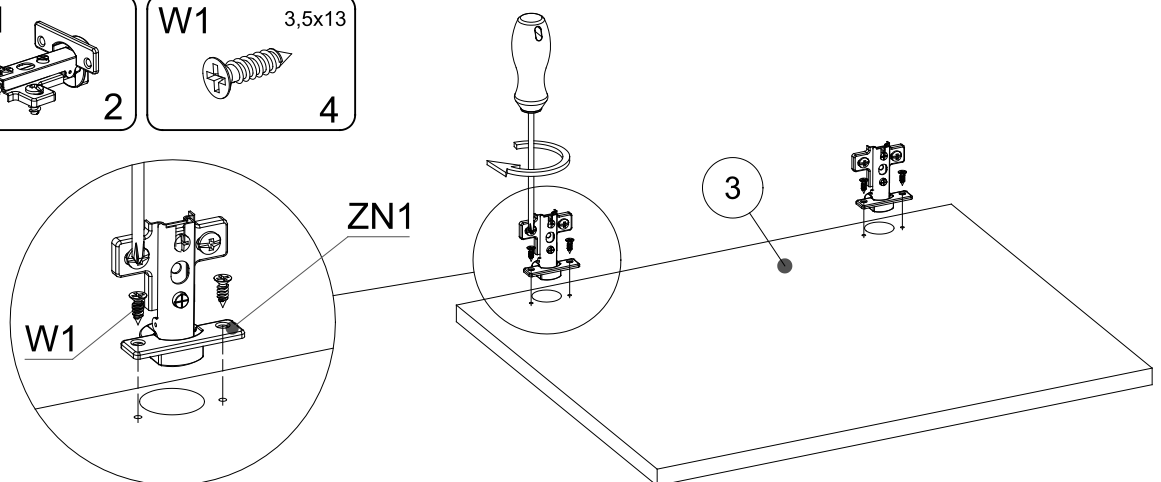
W1 3.5x13  4	G1 1.4x25  8	T3.5_2 L / R 350mm  1kpl
---	---	---



▶ 17



ZN1  2	W1 3.5x13  4
--	---



▶ 18

