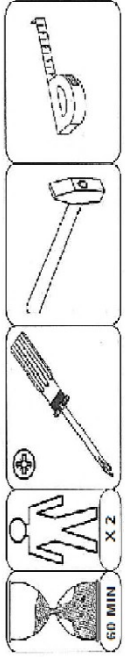
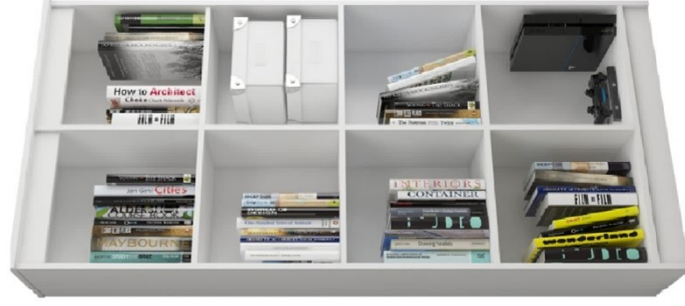
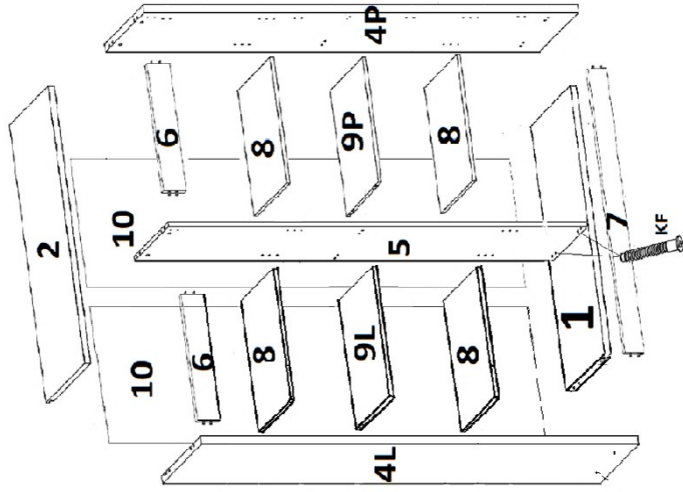
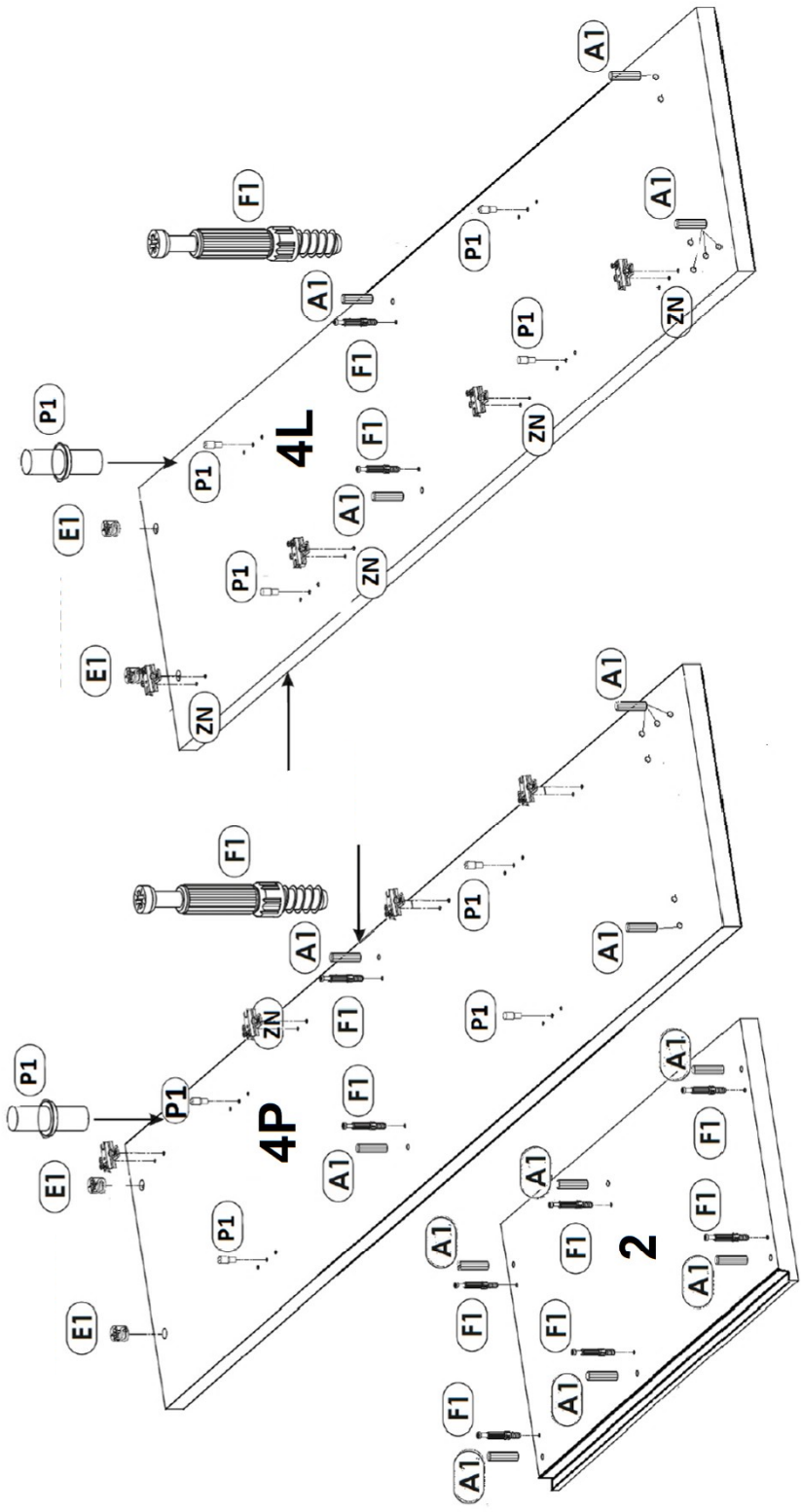
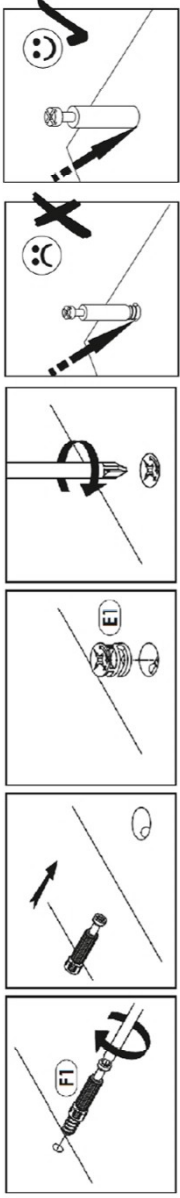


R-80P8



(SP) X8	(W4) X8	(KF) X6	7 x 50
(M) X1	(O2) X4	(A1) X34	8x30
(P1) X16	(G4) X100	(E1) X14	X14
(FI) X14			



R-80 P8

