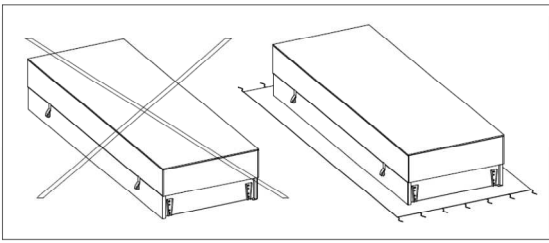
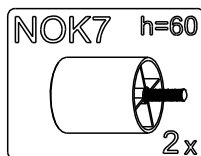
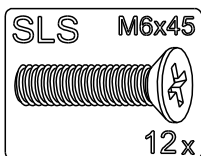
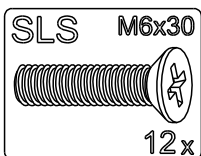
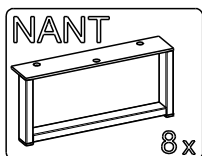
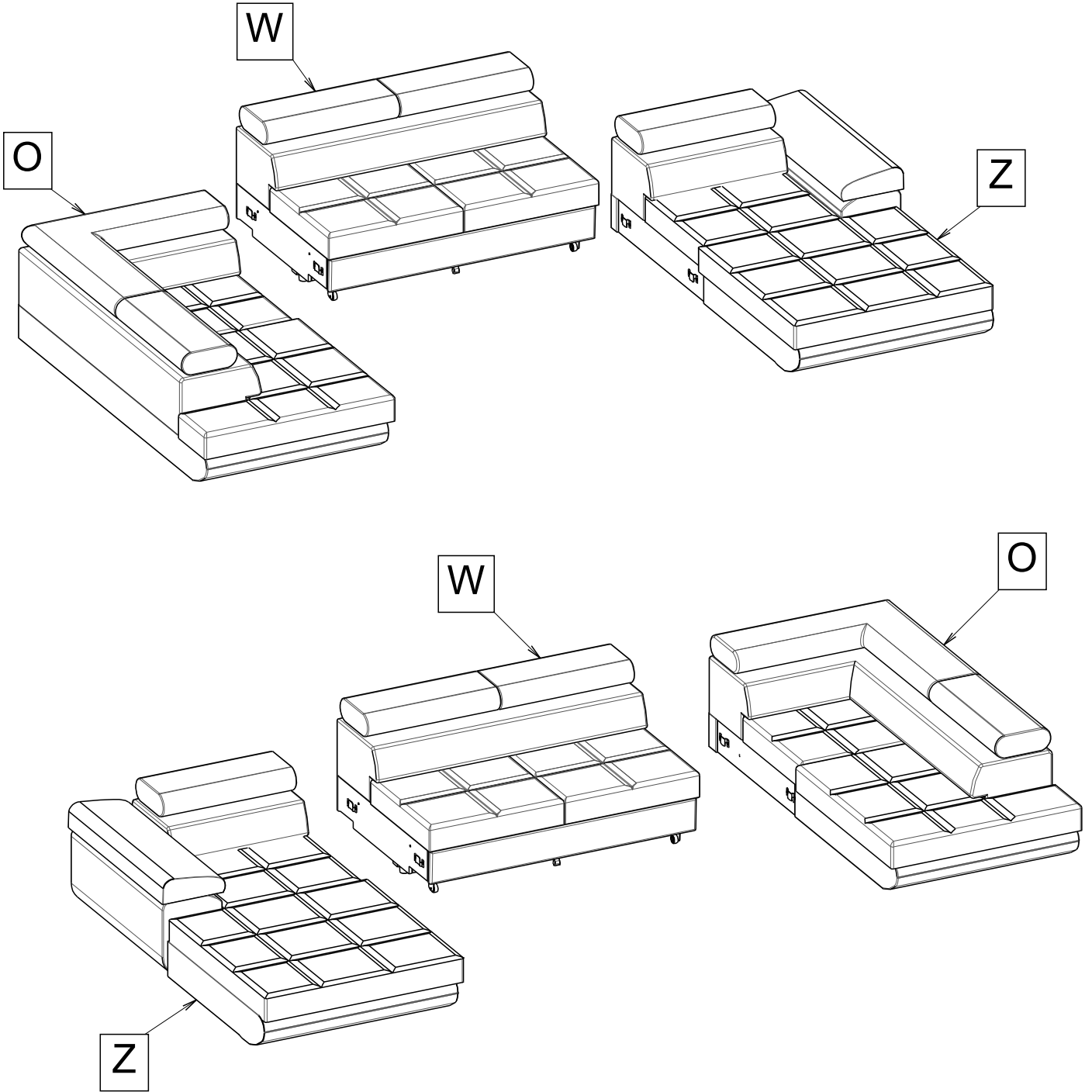


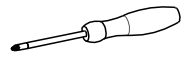
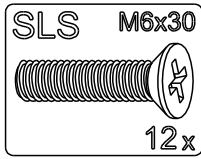
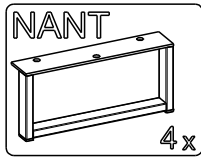
40min



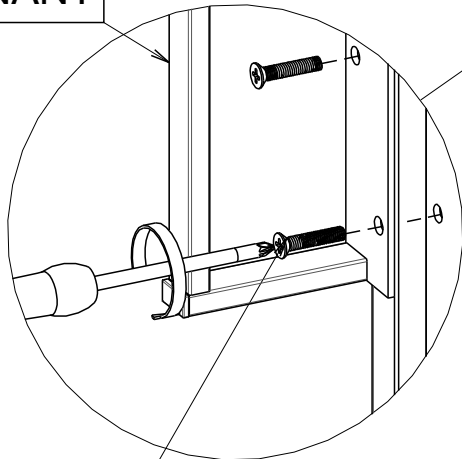
O	1x
W	1x
Z	1x



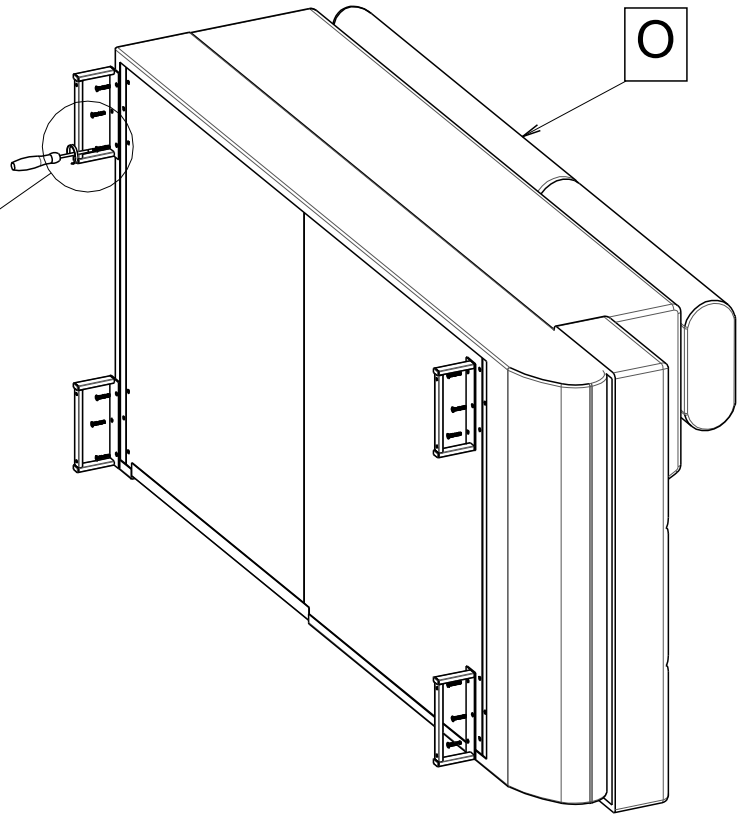
1



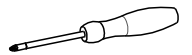
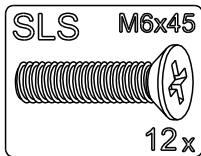
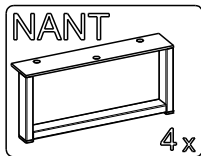
NANT



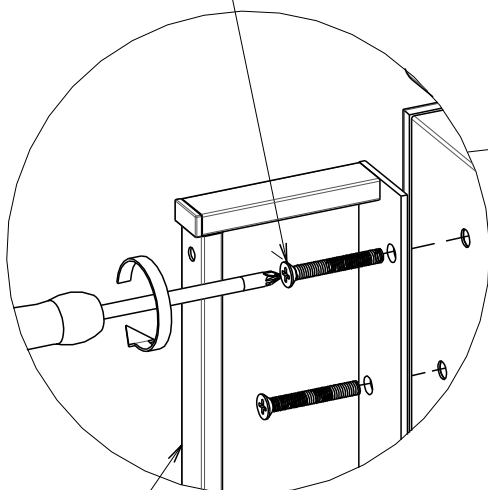
SLS M6x30



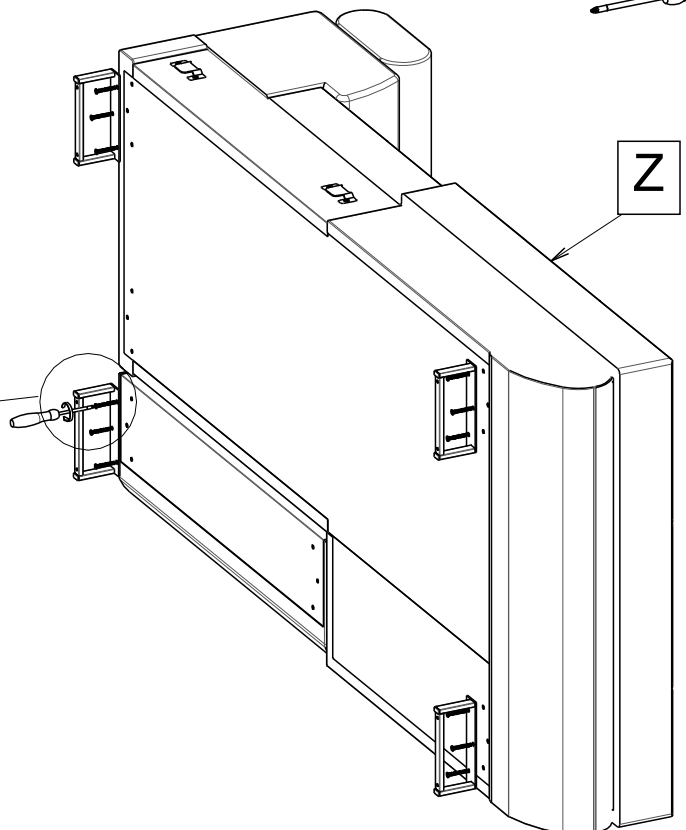
2



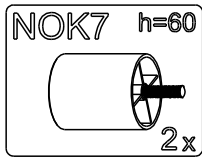
SLS M6x45



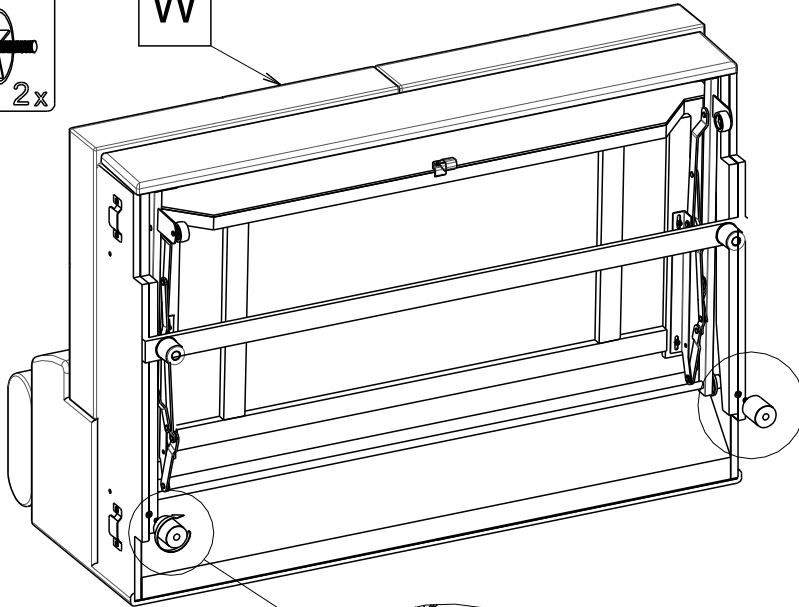
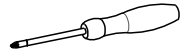
NANT



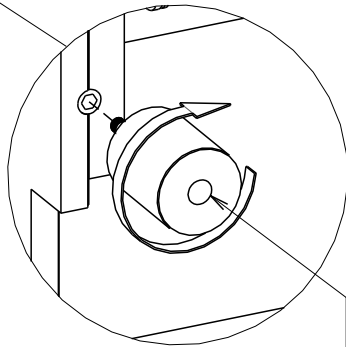
3



W

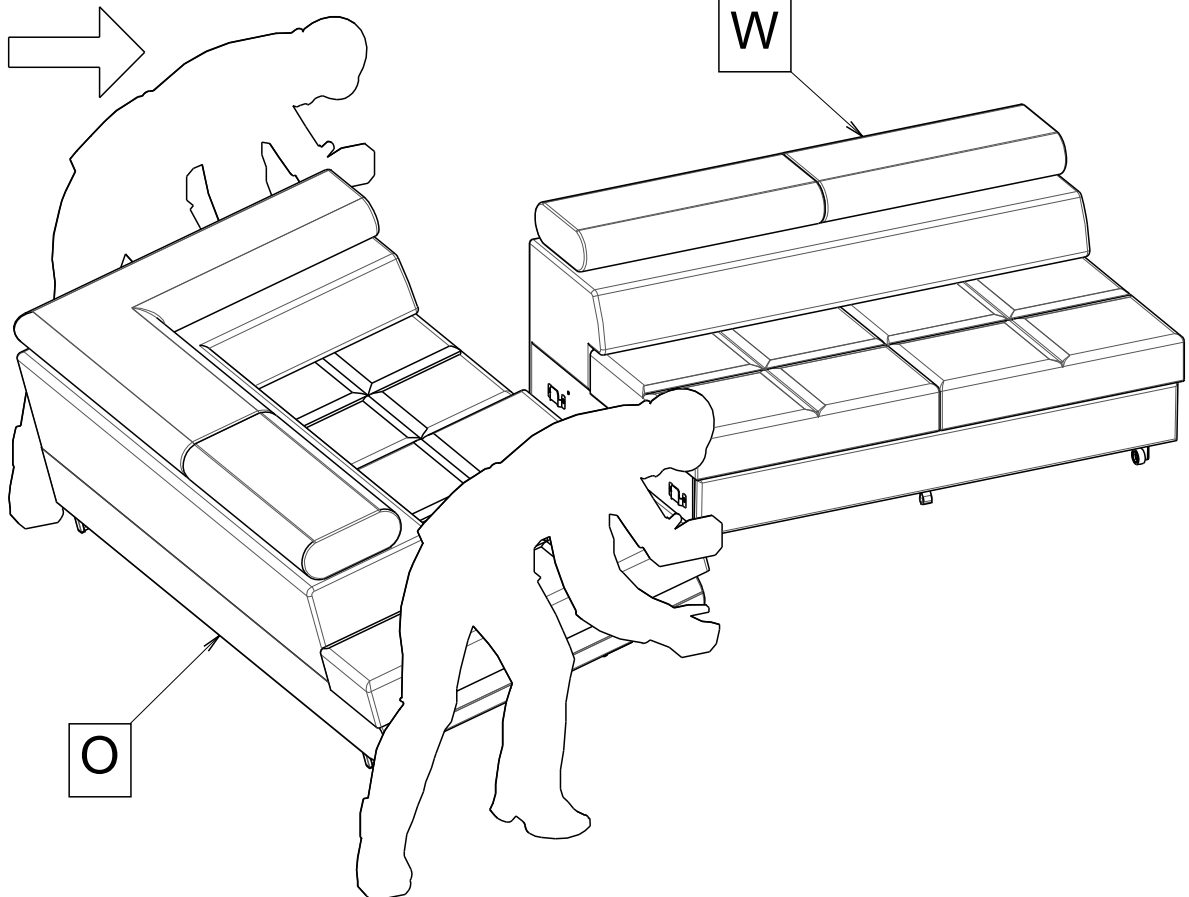


2x

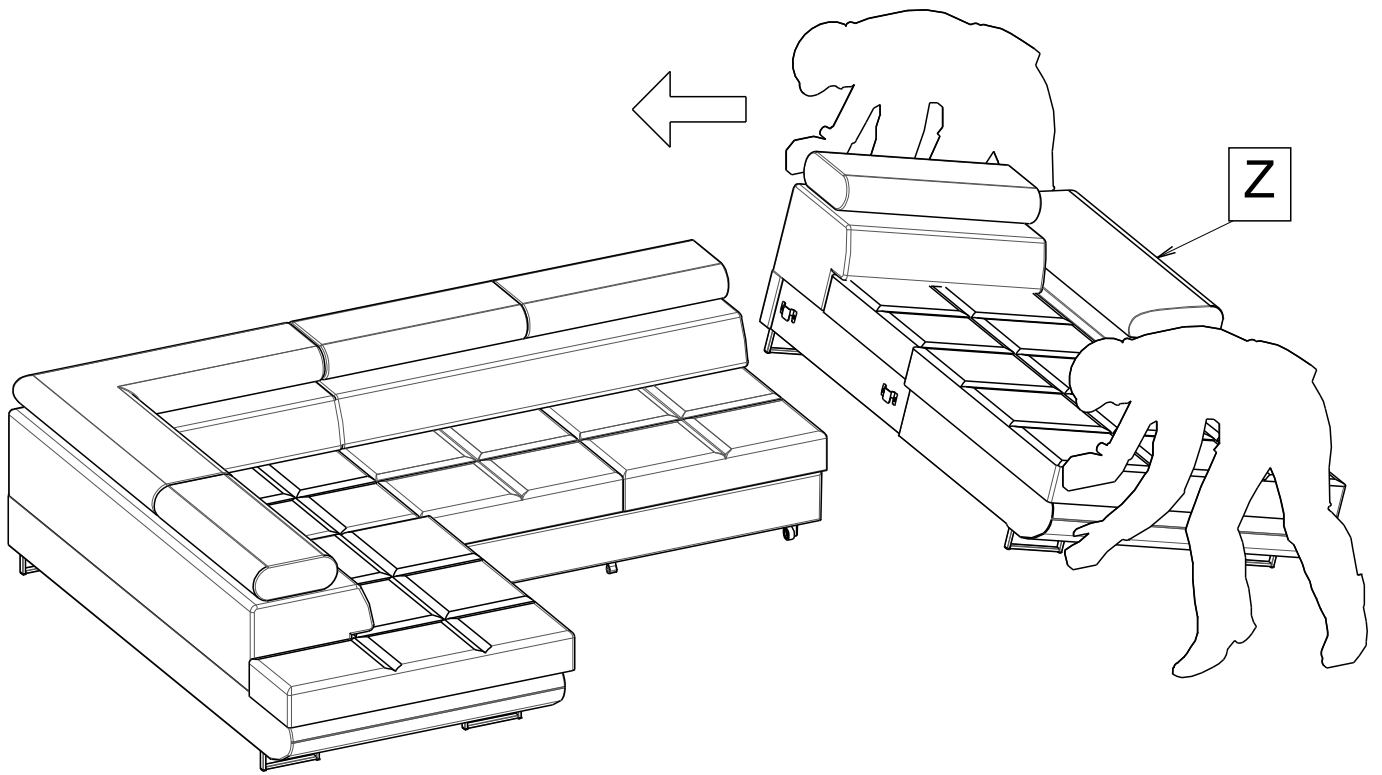


NOK7

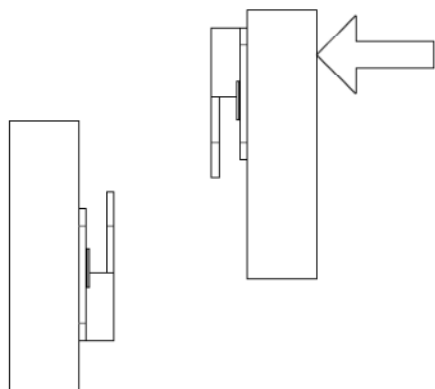
4



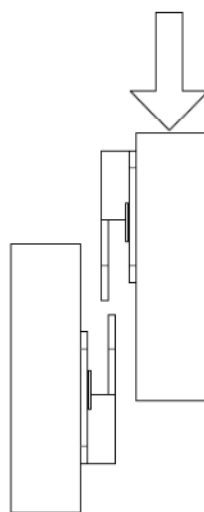
5



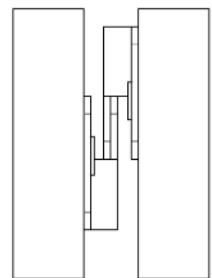
1)



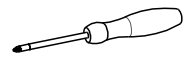
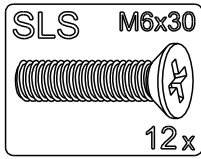
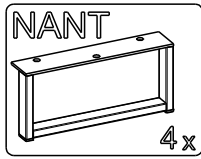
2)



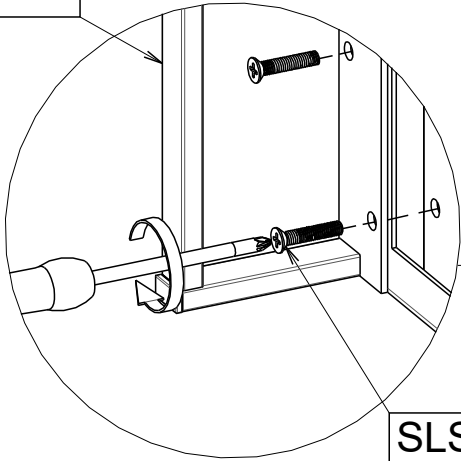
3)



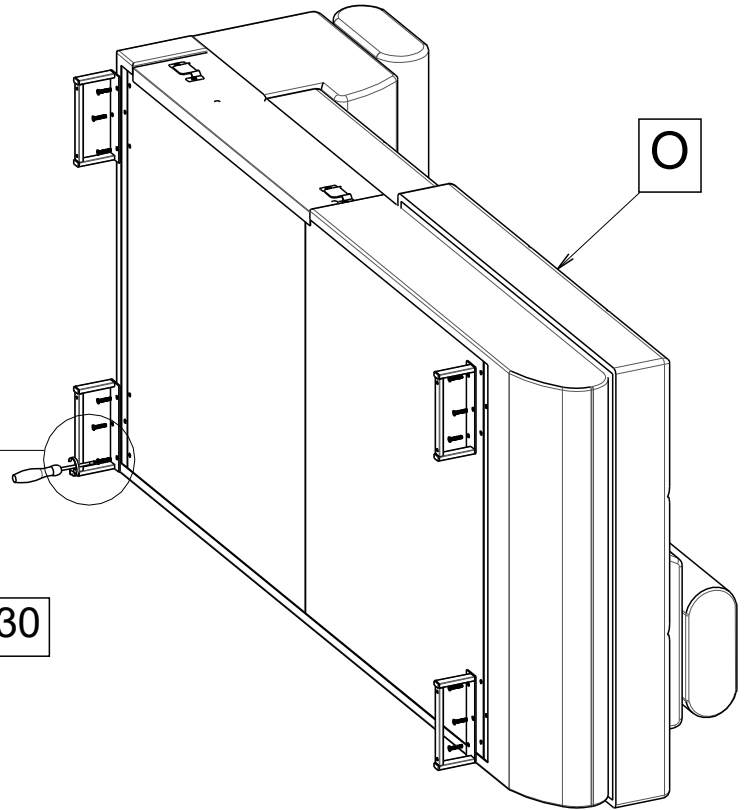
1



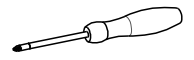
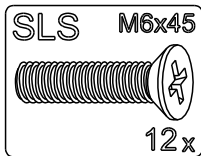
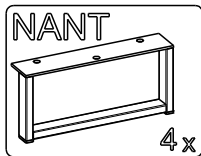
NANT



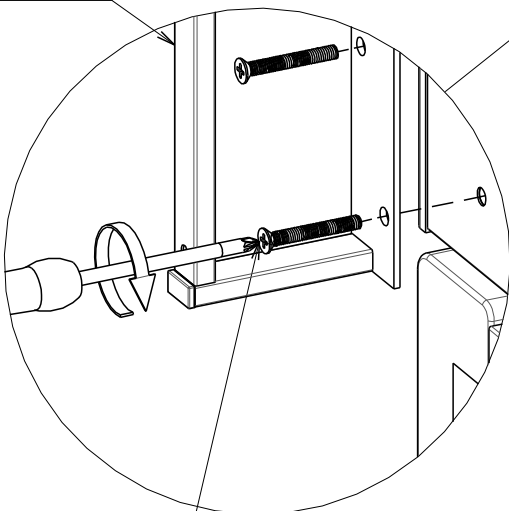
SLS M6x30



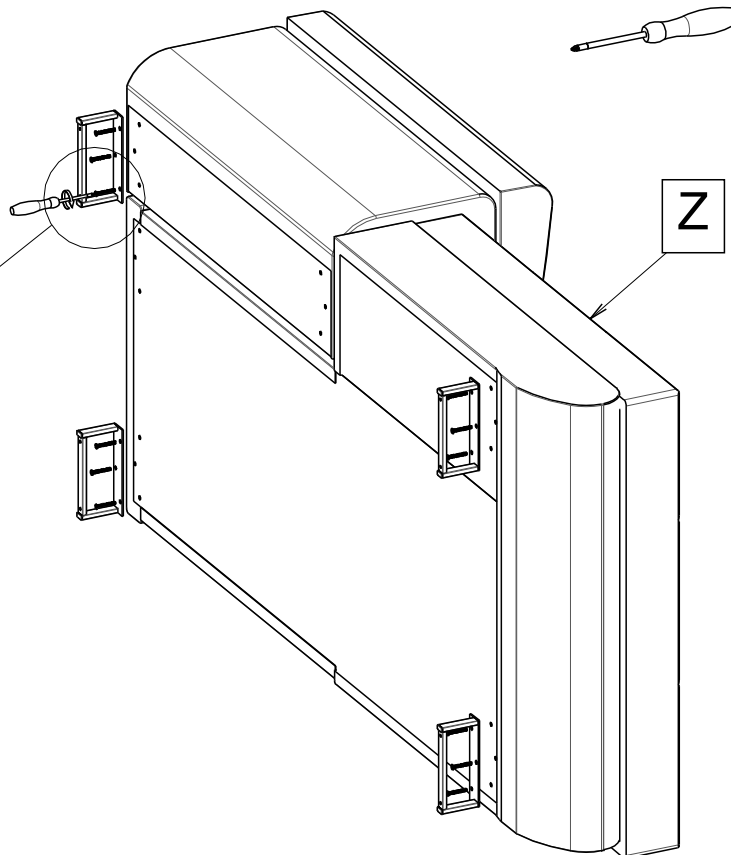
2



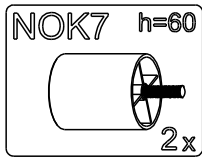
NANT



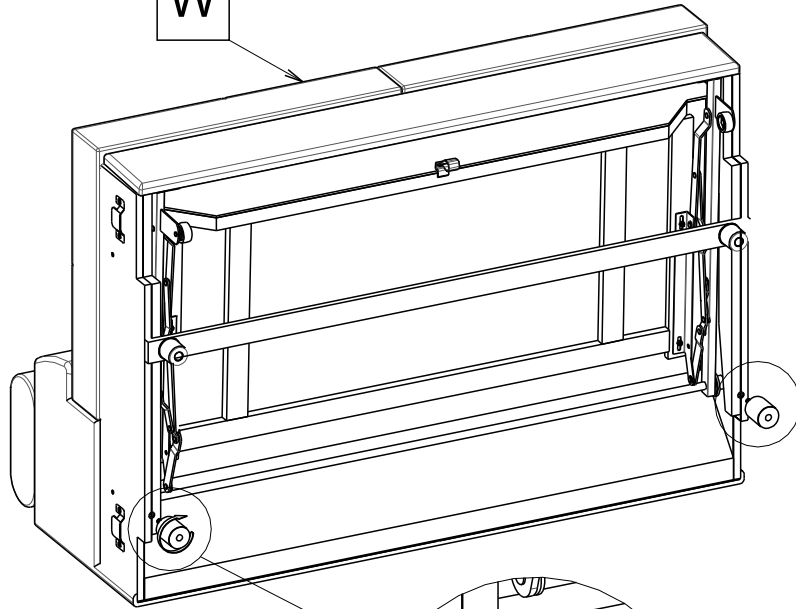
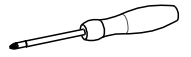
SLS M6x45



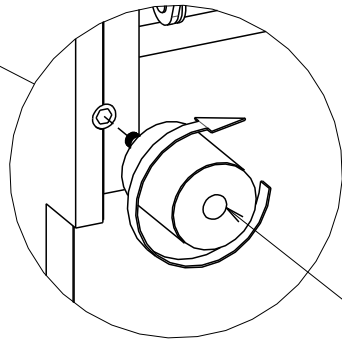
3



W



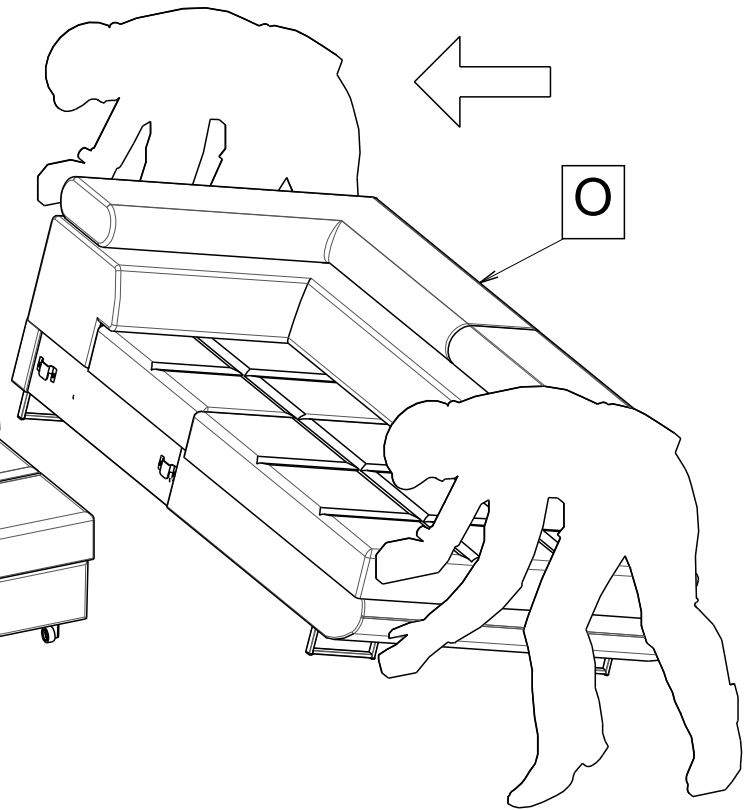
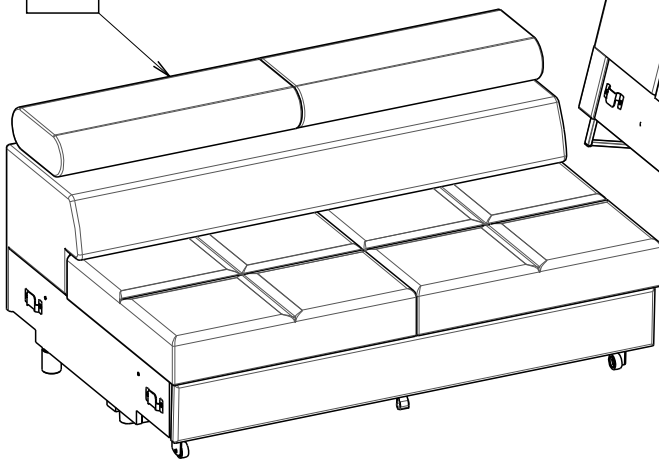
2x



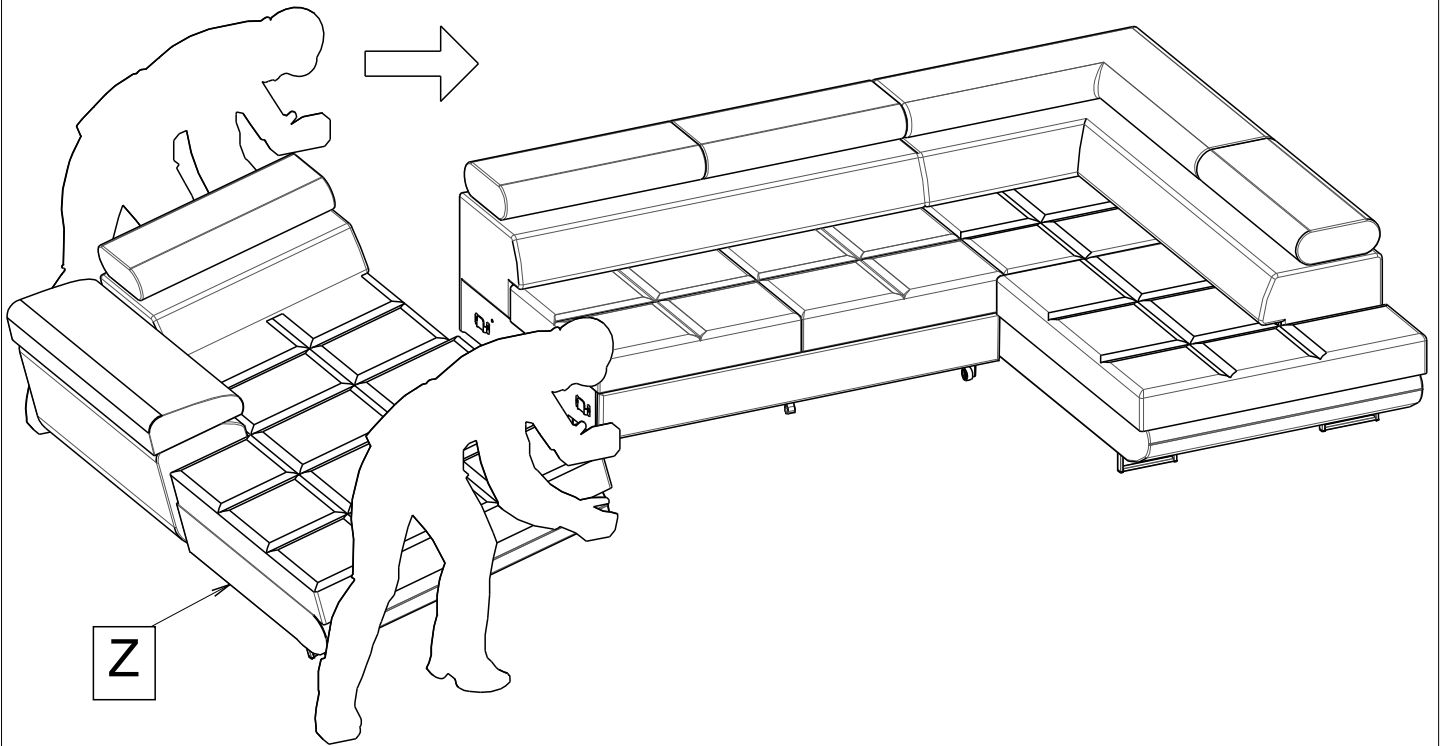
NOK7

4

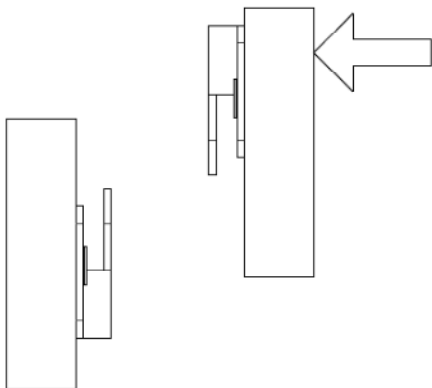
W



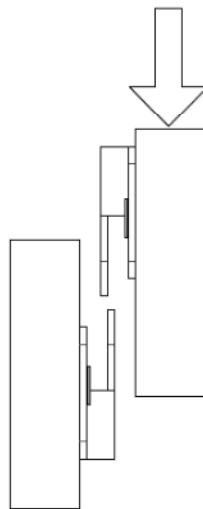
5



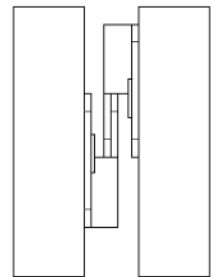
1)



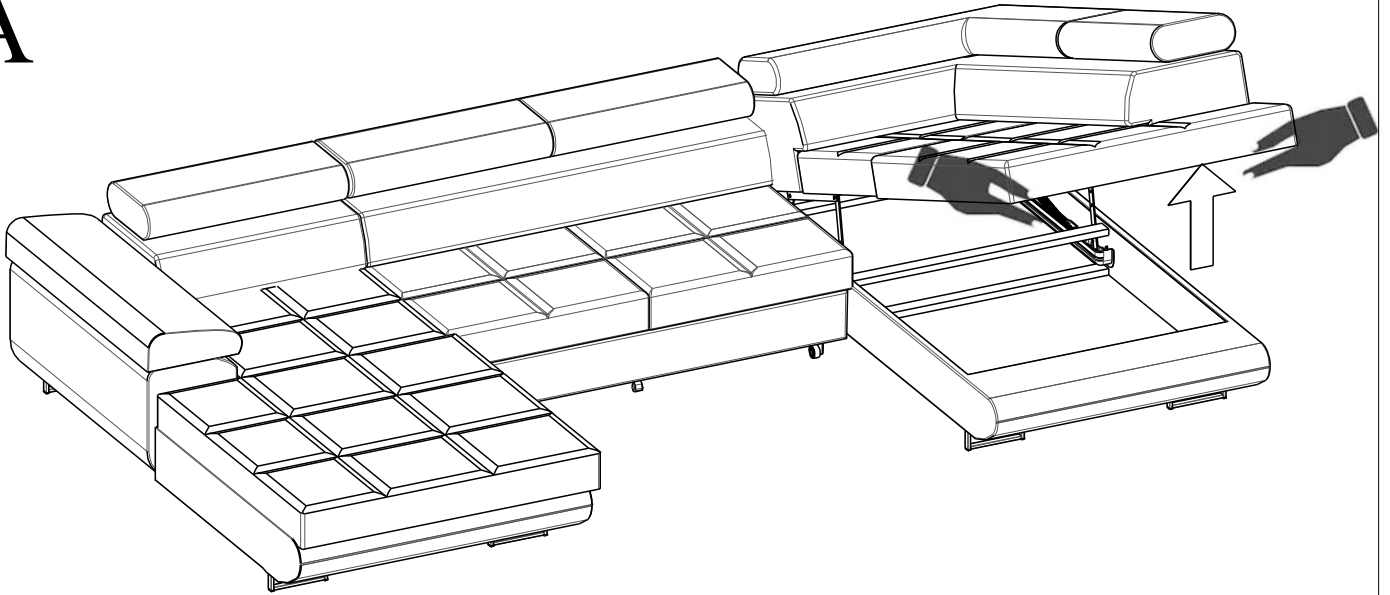
2)



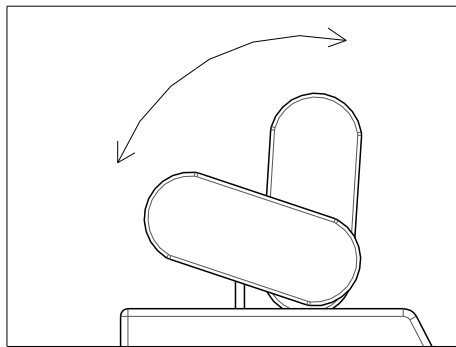
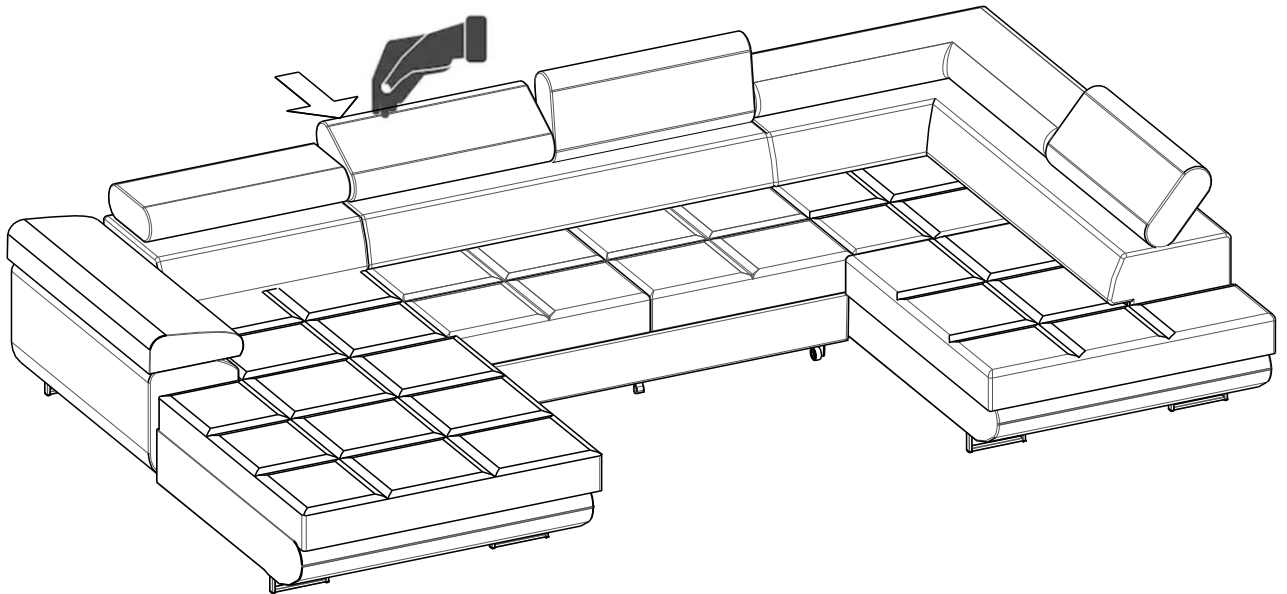
3)



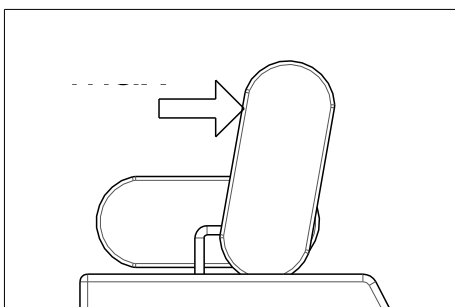
A



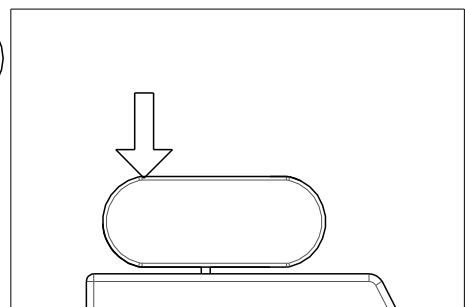
B



1



2



C

