
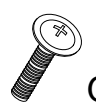
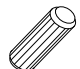
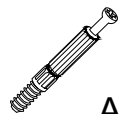
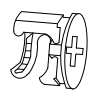



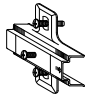
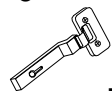
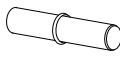
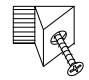

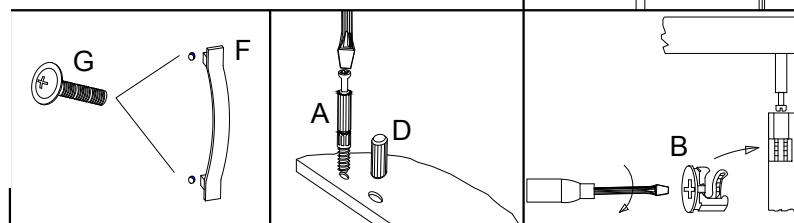
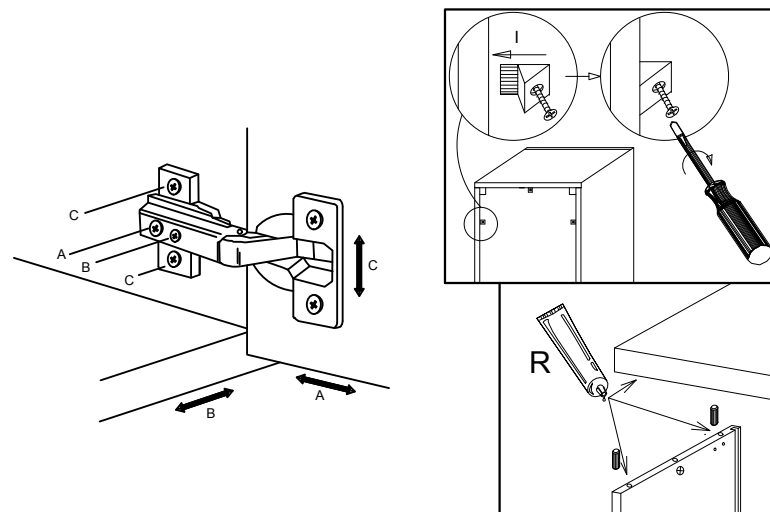
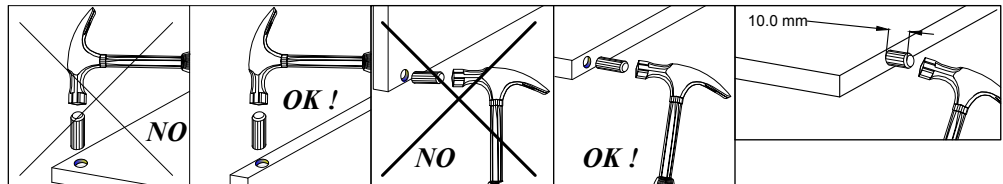
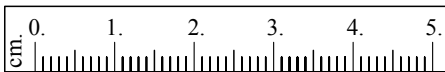
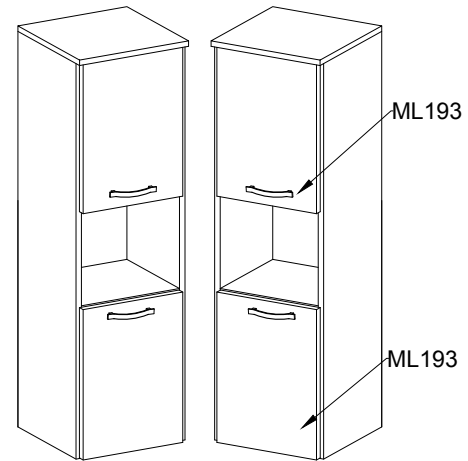
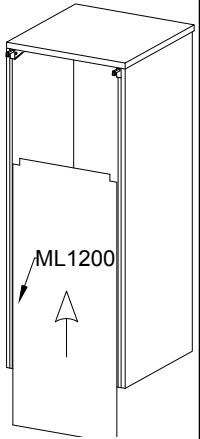
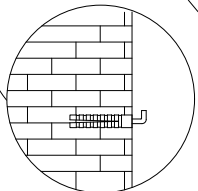
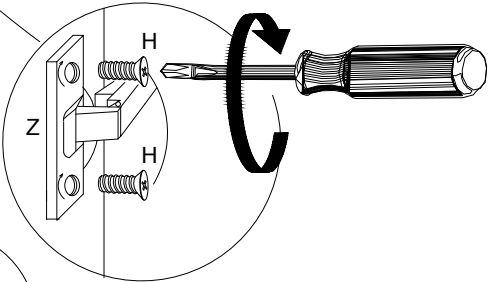
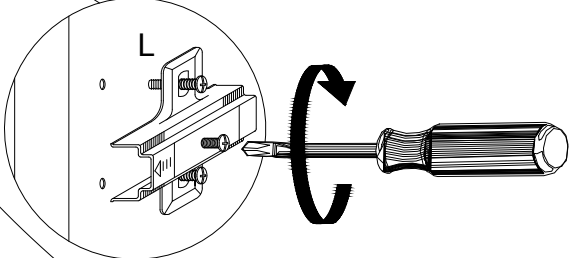
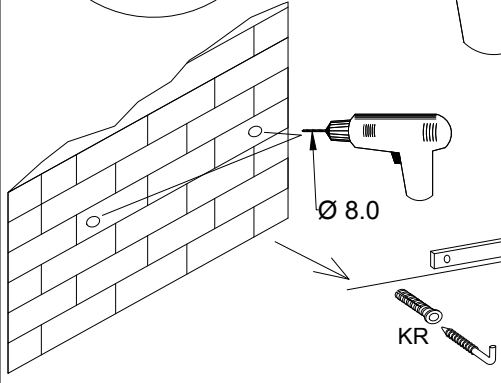
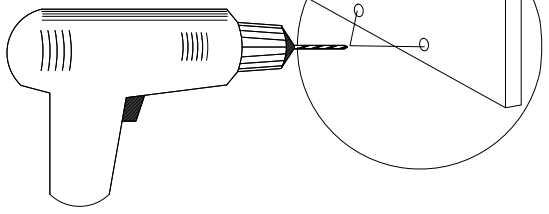
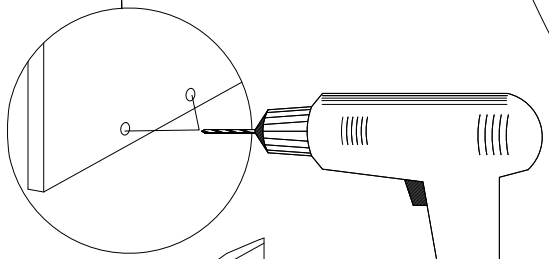
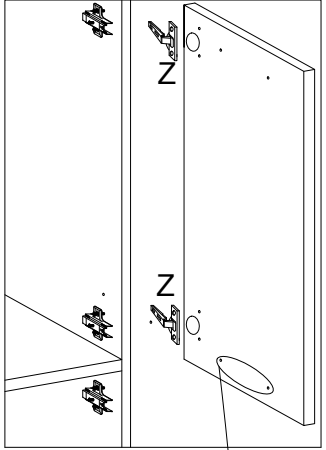
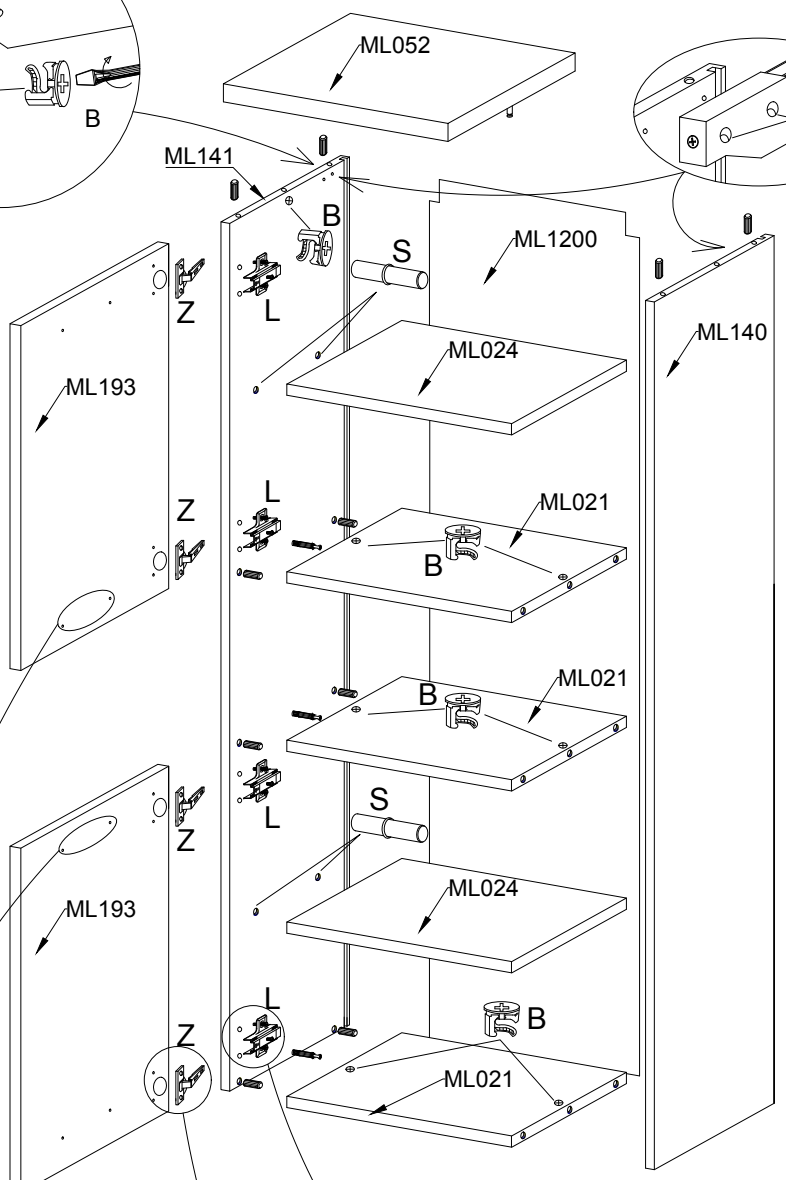
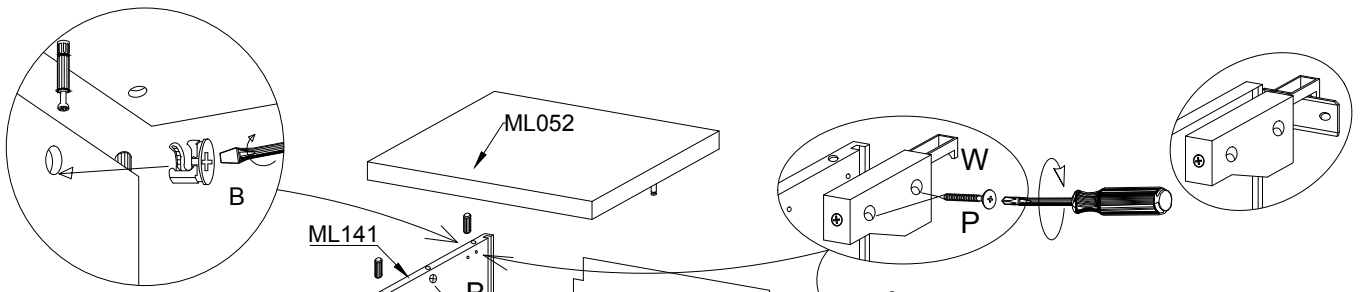
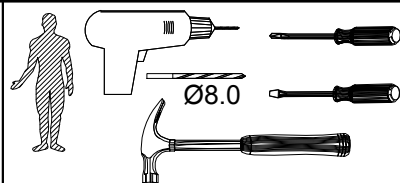
 W	 F	 M4.0X20	 8.0X30	 A	 B	 R
2	2	4	16	8	8	1
 P	 H	 L	 "0"	 S	 I	 KR
4	8	4	4	8	6	2







		M4.0X20	8.0X30		
W	F	G	D	A	B
2	2	4	14	8	8
4.0X30	6.3x13		"0"	4.0x25	
P	H	L	Z	V	KR
4	8	4	4	2	4
			3.0X15		
S	U	Y1	H1		
3	1	2	4		

