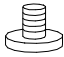

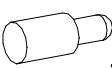
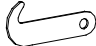


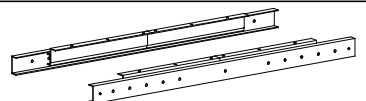


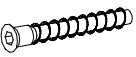
L		x2	M		7 x 50	x20
---	---	----	---	---	--------	-----


G		x10	H		x4
---	---	-----	---	---	----


I		4 x 15	x8
---	---	--------	----

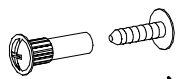
J		6,3 x 13	x30
---	---	----------	-----

K		x1
---	---	----

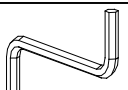
A		7 x 70	x12
---	---	--------	-----

B		8 x 30	x24
---	---	--------	-----

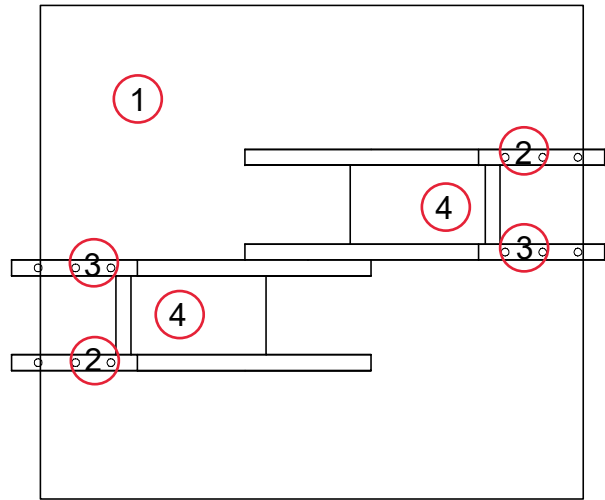
C		x4
---	---	----

D		x1
---	--	----

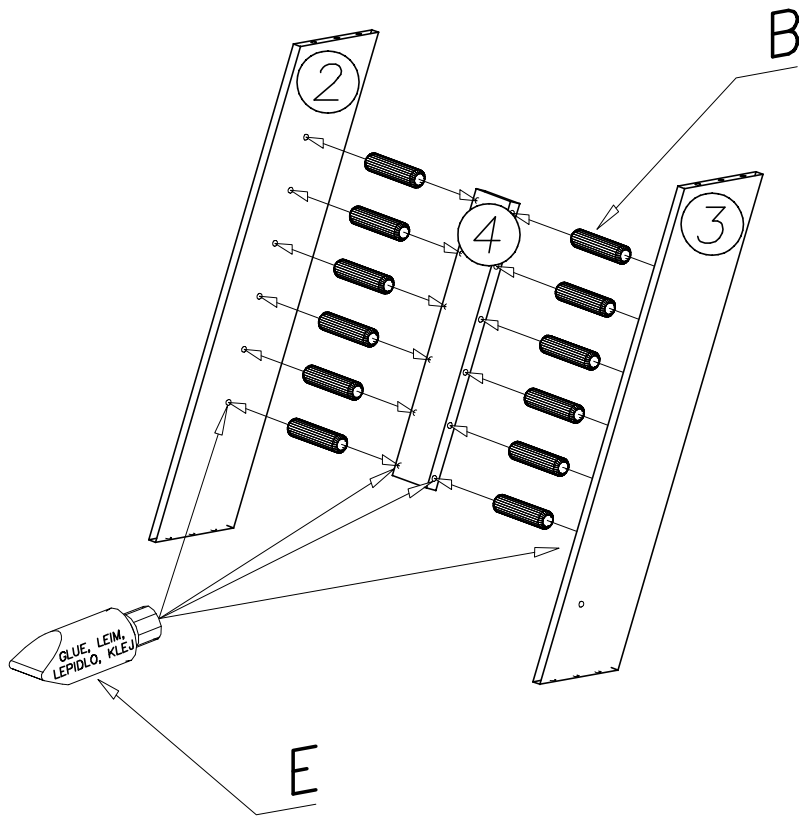
E		x1
---	---	----

F		x1
---	---	----

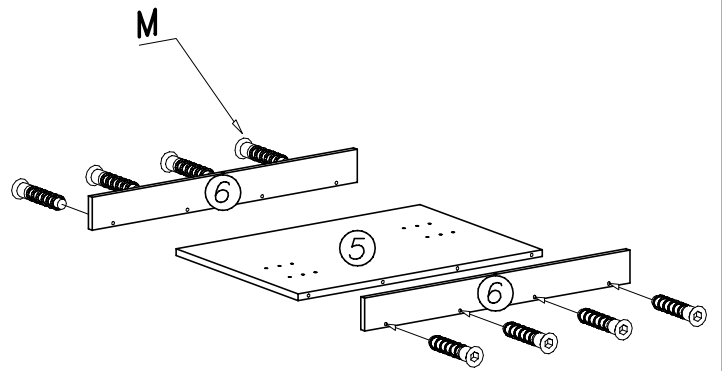
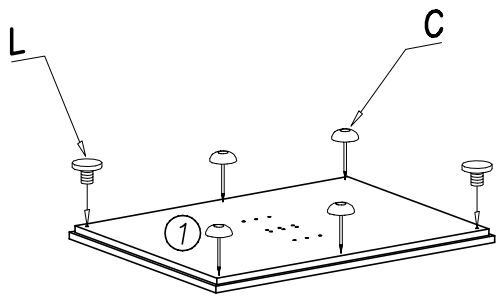
1



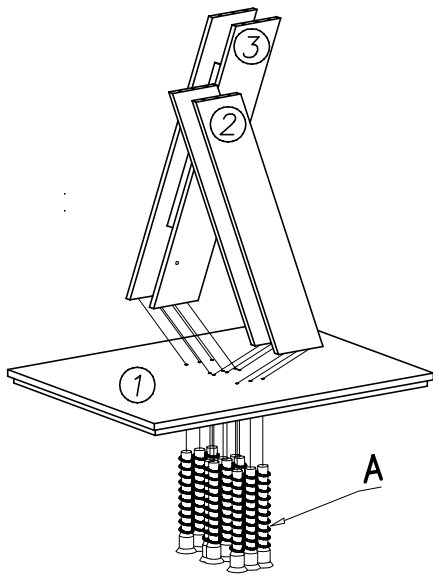
x2



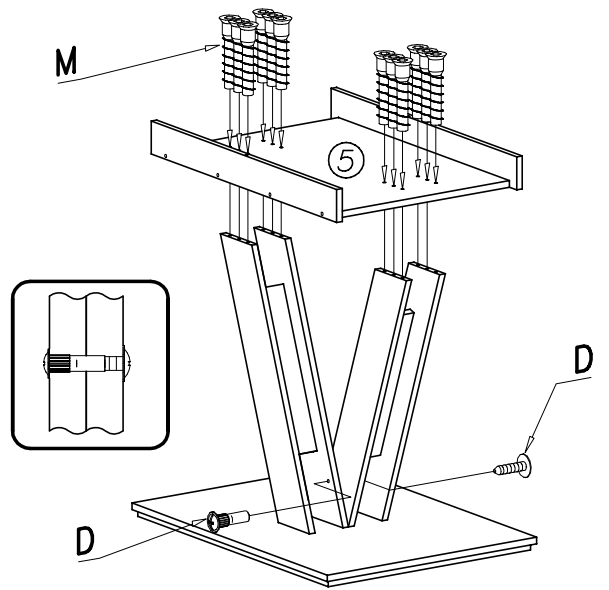
II



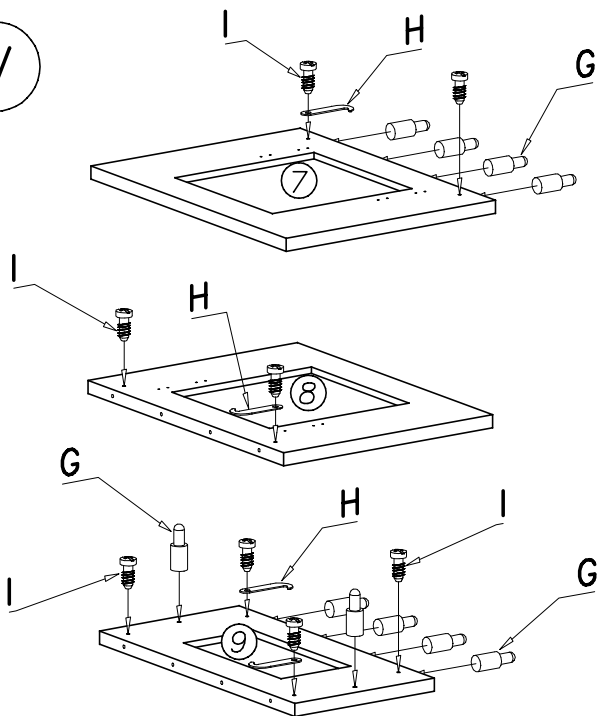
III



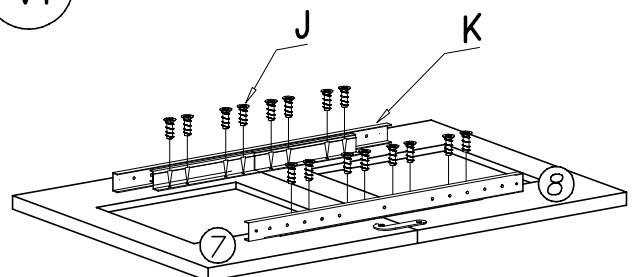
IV



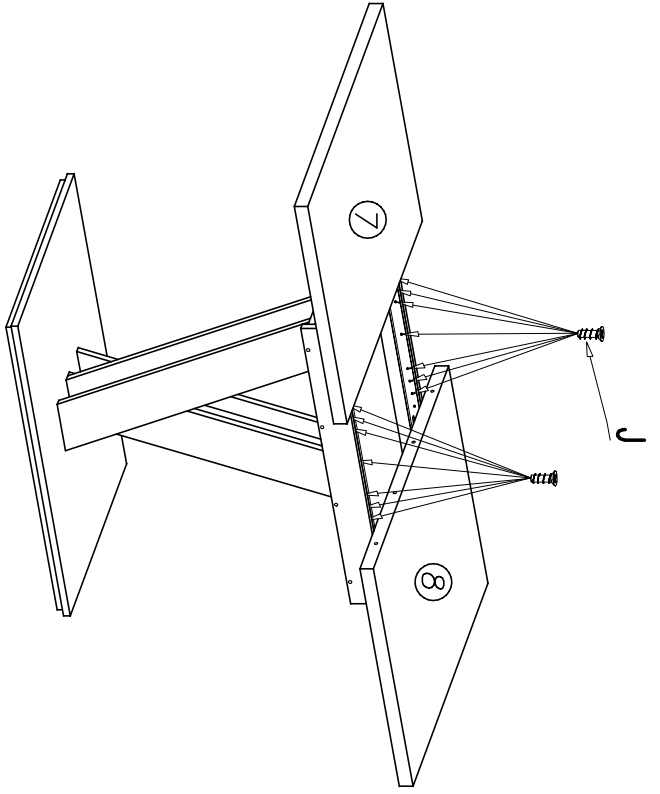
V



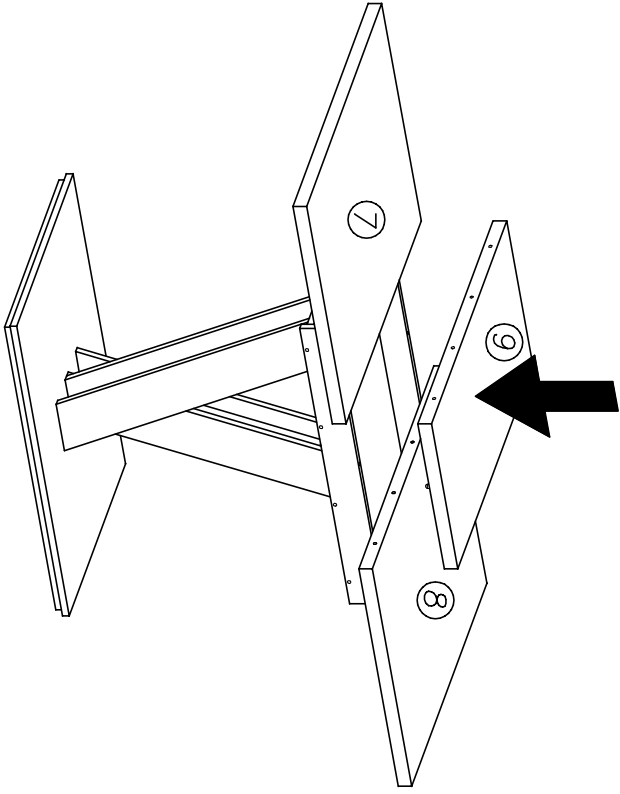
VI



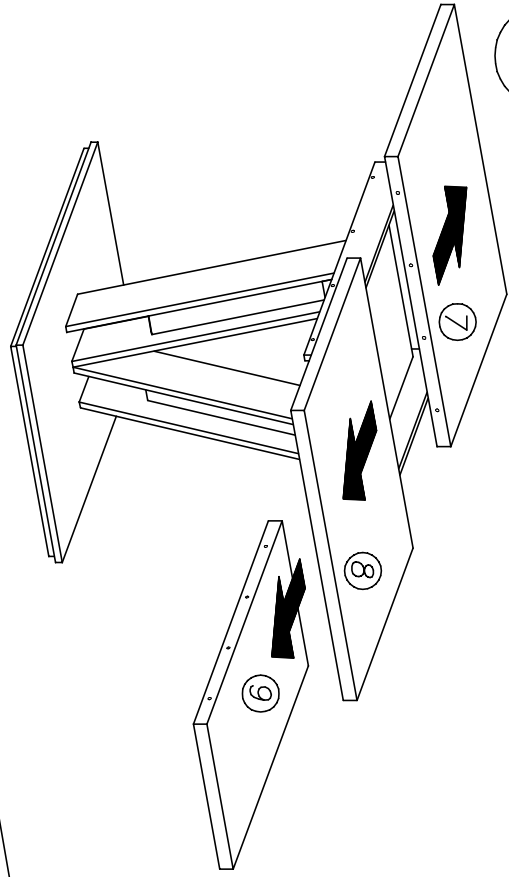
VII



IX



VIII



X

