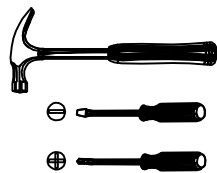
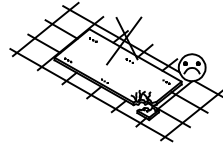
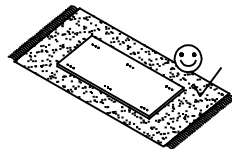




















#	ILOŚĆ/QUANTITY
1	2
2	3
3	1
4	4
5	2
6	1
7	1
8	1
9	1
10	1
11	1
12	2



4mm





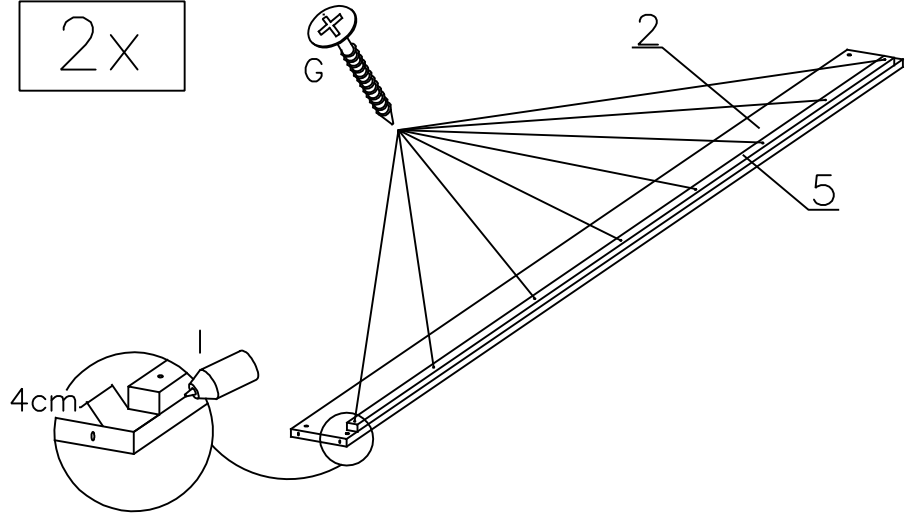
 A	 B	 8.0x35 C	 D	 D1	 ø8 D2	 3.5x35 G	 I
4	1	26	4	12	4	16	1
 M6x50.0 K	 L	 4.0x27 M	 R	 U	 Y	 6.5x50 J	 4.0x13 W
14	2	4	4	12	12	1	36

 H
28
 S
14

1



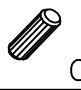

2x

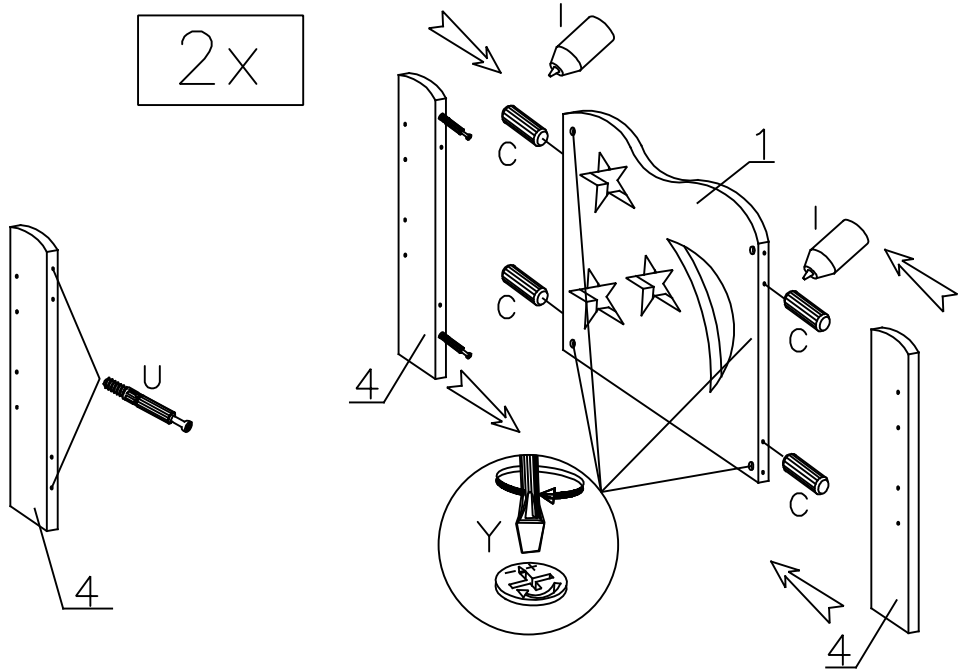
3.5x35  G	 I
16	1





2

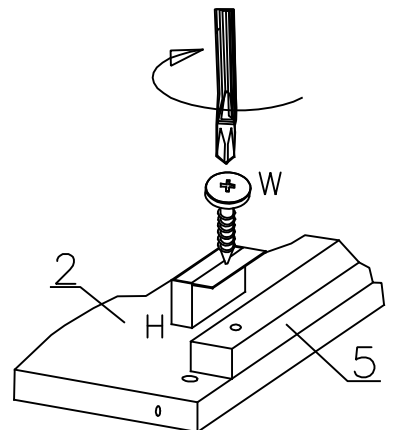
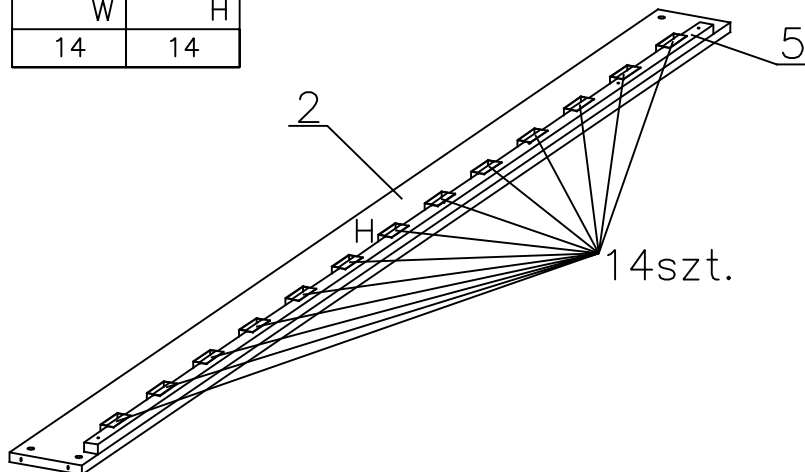
2x

 U
8
 I
1
8.0x35  C
8
 Y
8





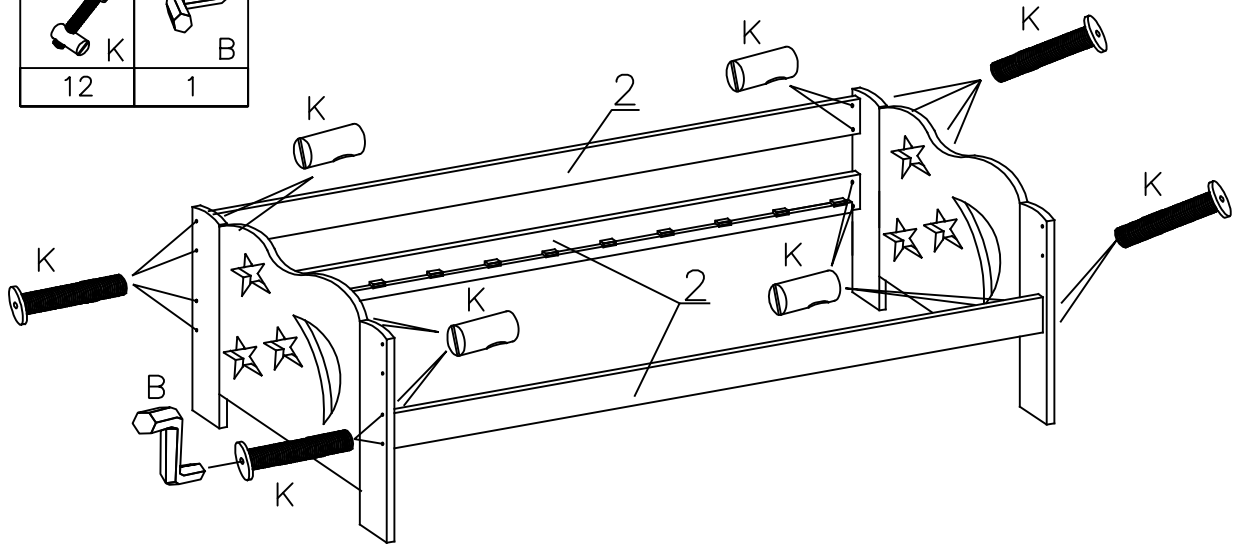
3

4.0x13  W	 H
14	14



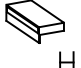


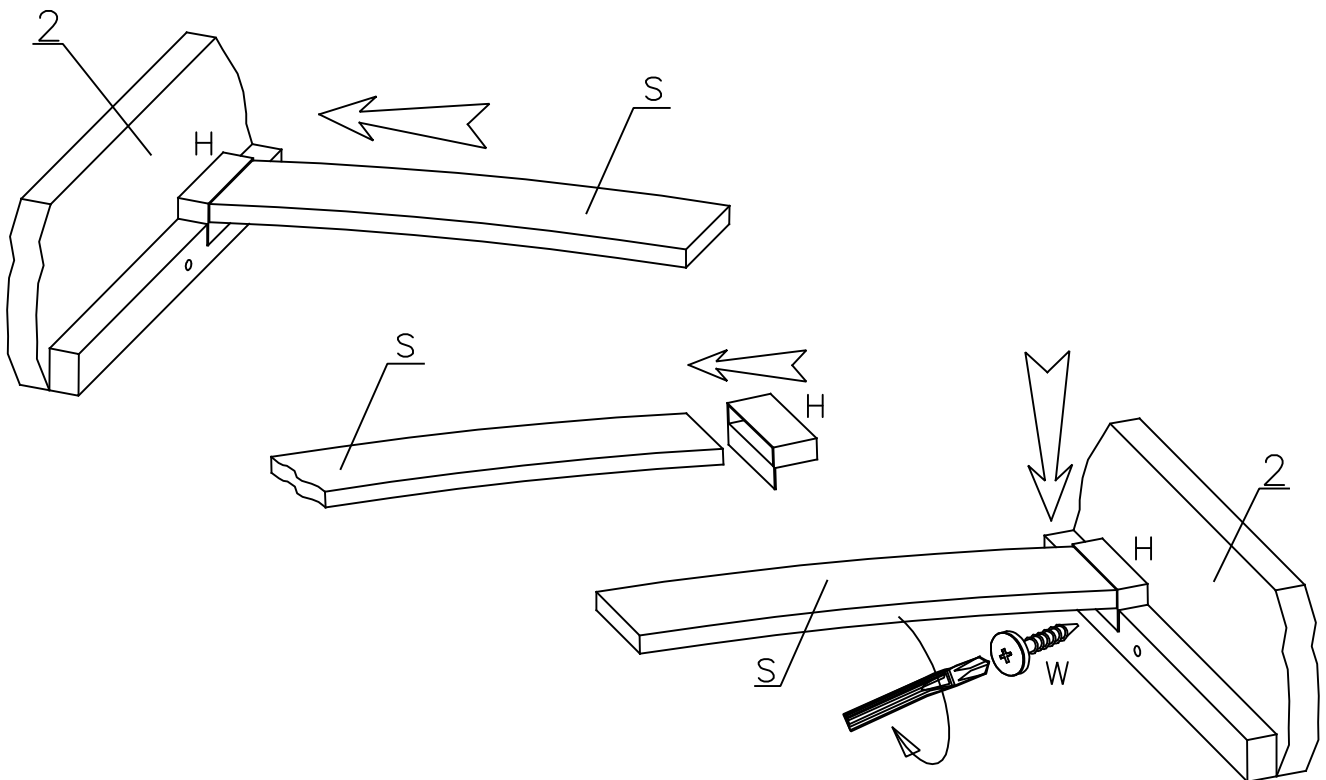
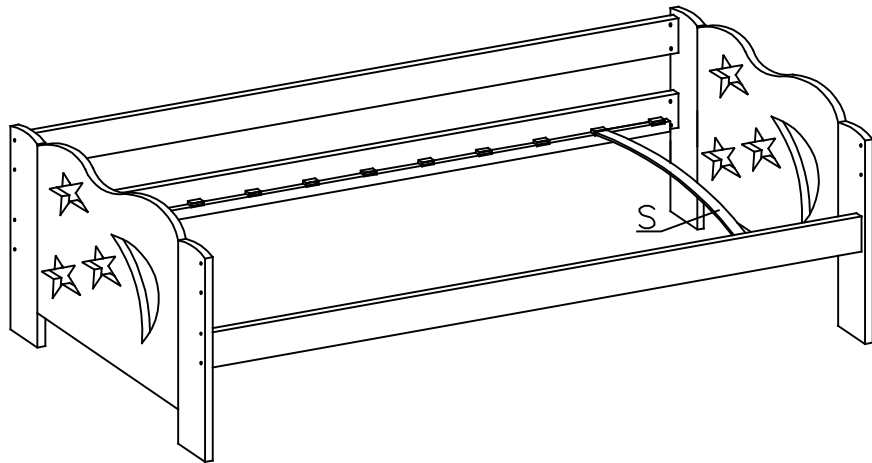
4

M6x50.0		
12	K	B





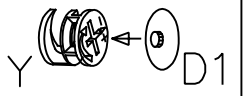
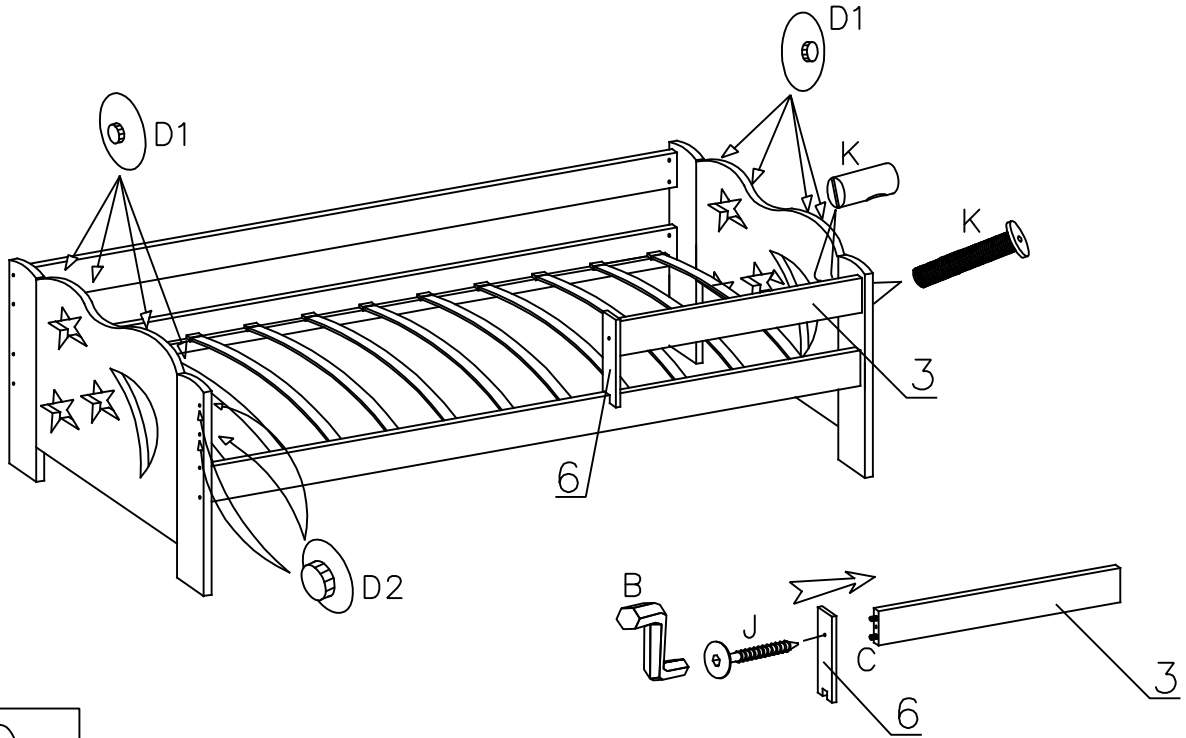
5

4.0x13	
14	W
	S
14	S
	H
14	H





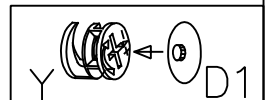
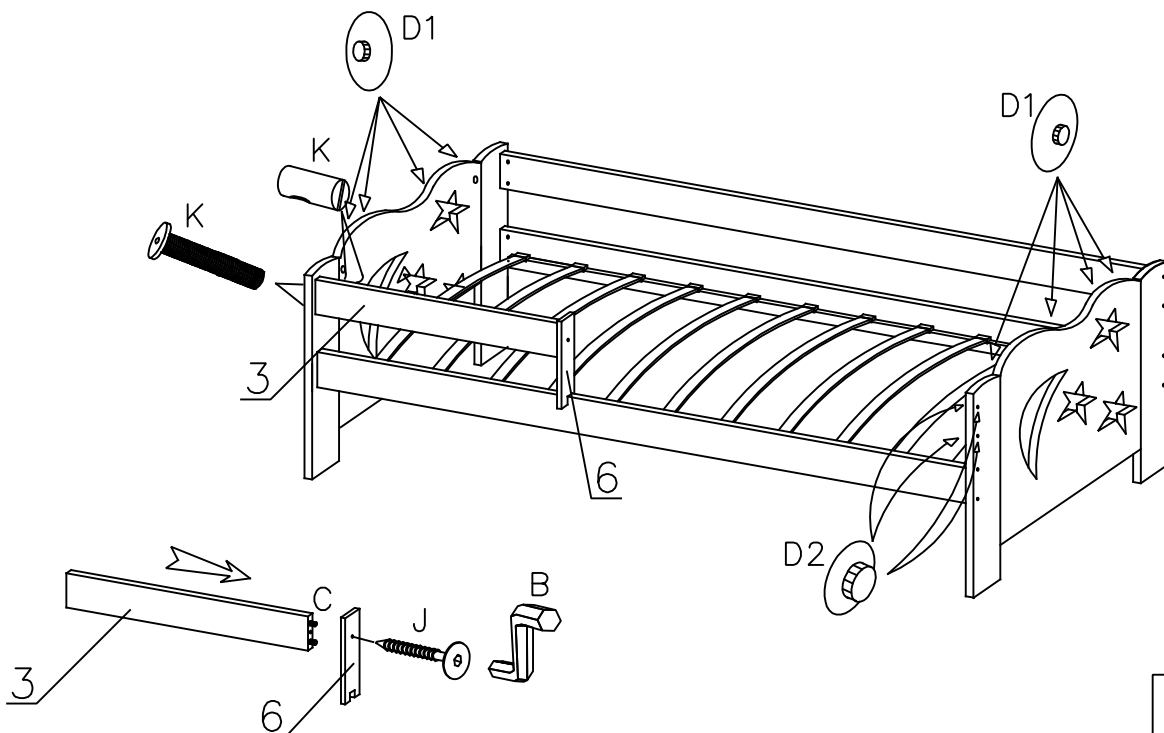
6A

	M6x50.0		ø8	6.5x50	8.0x35
B	K	D1	D2	J	C
1	2	8	4	1	2

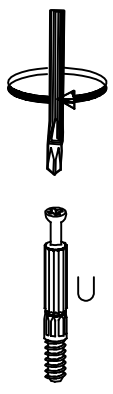
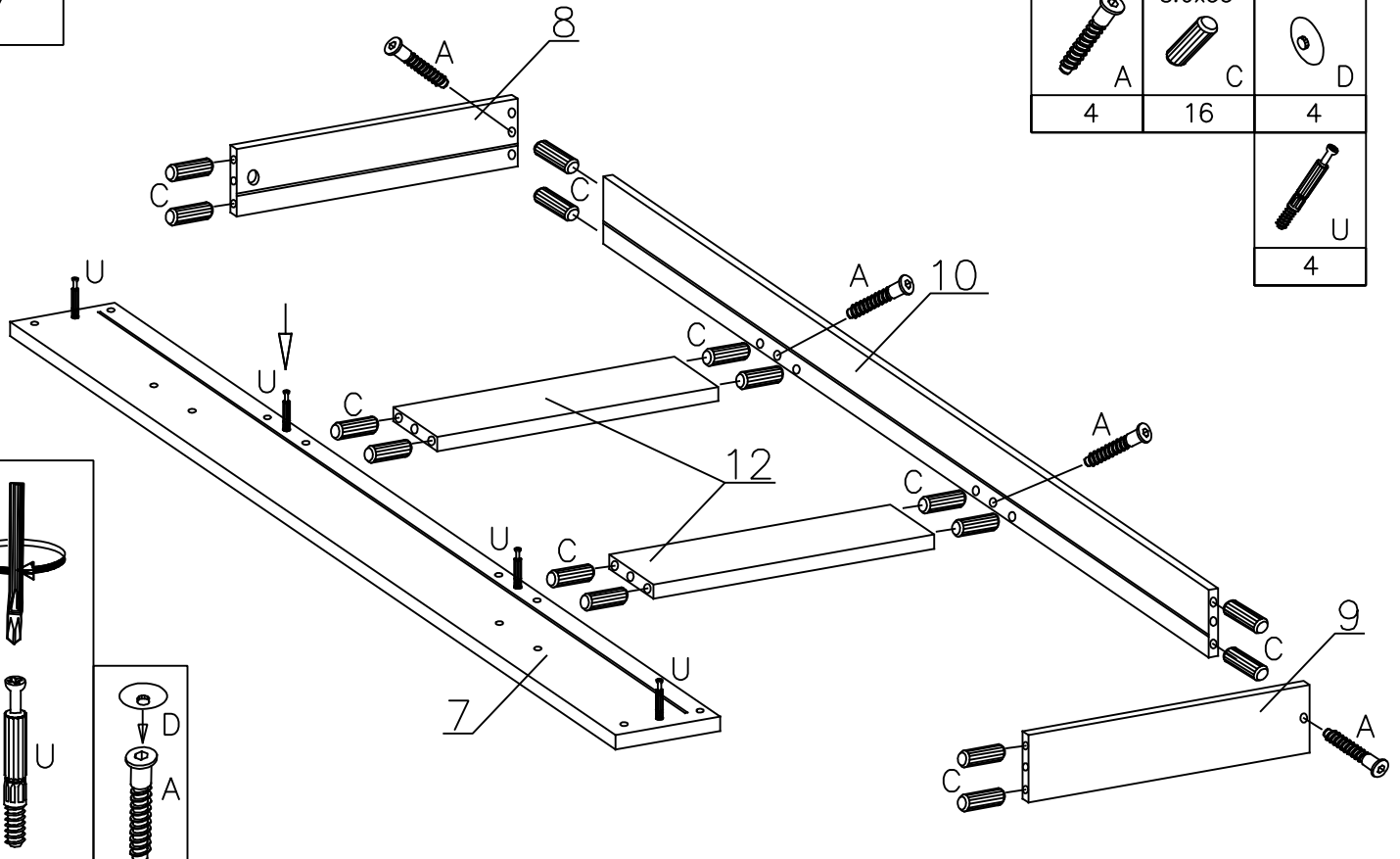


6B

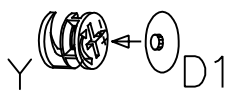
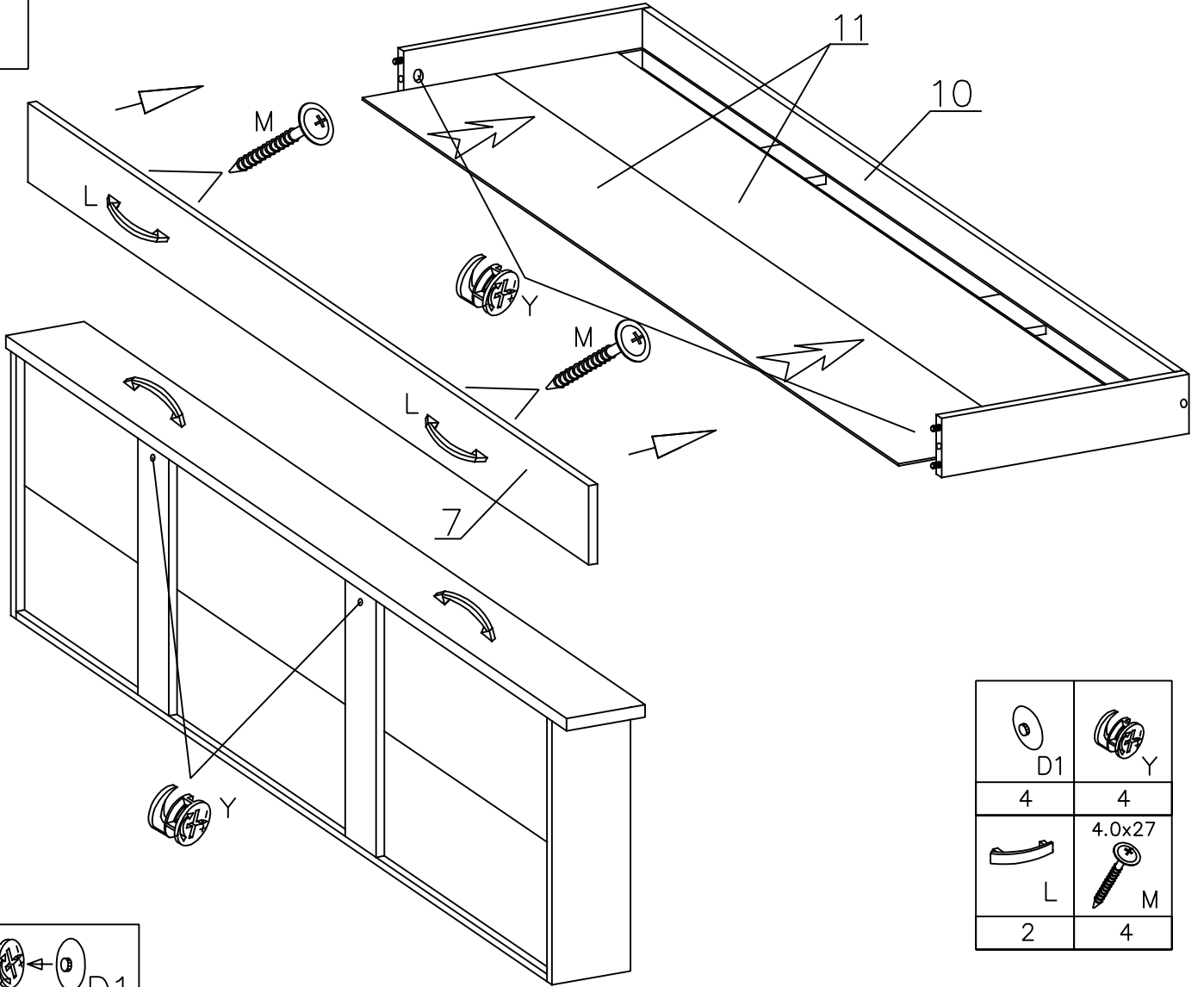
	M6x50.0		ø8	6.5x50	8.0x35
B	K	D1	D2	J	C
1	2	8	4	1	2




7

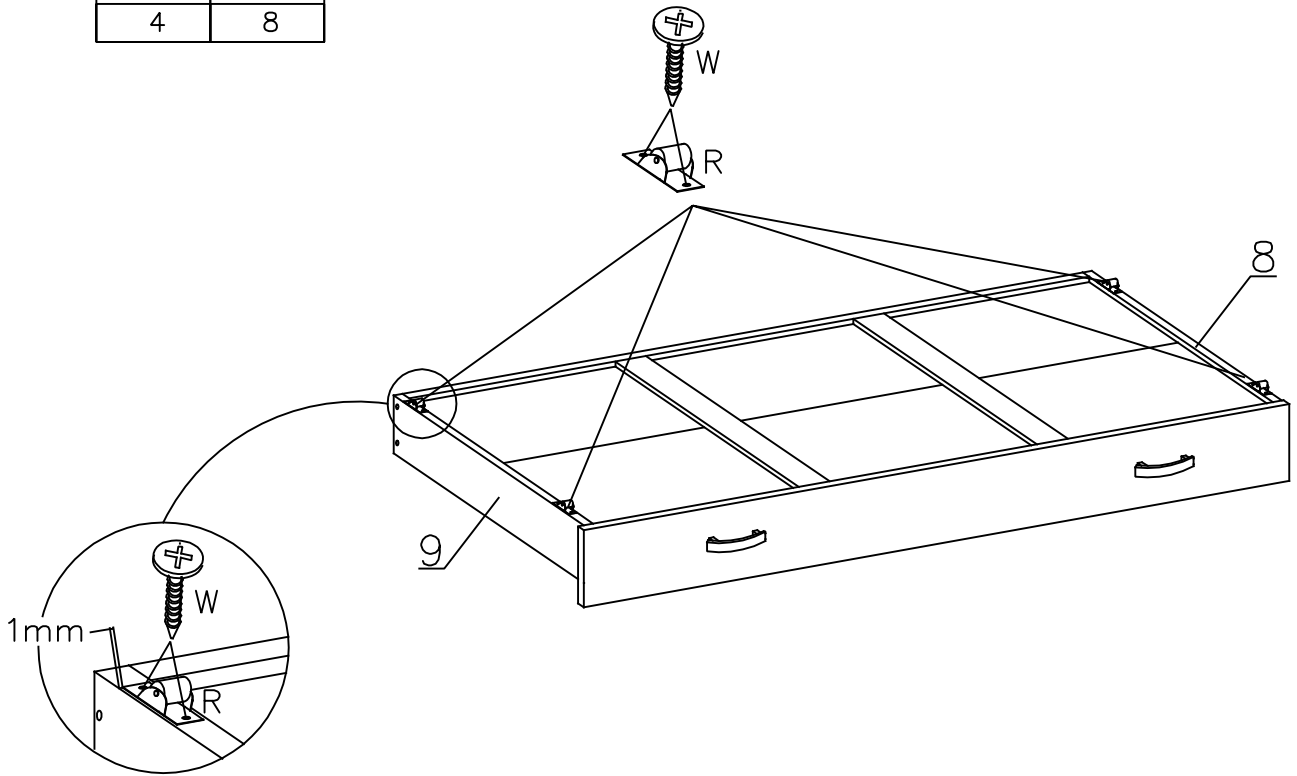


8



9

	4.0x13
R	W
4	8



10

