


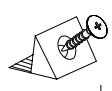



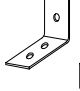




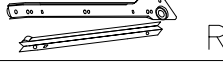

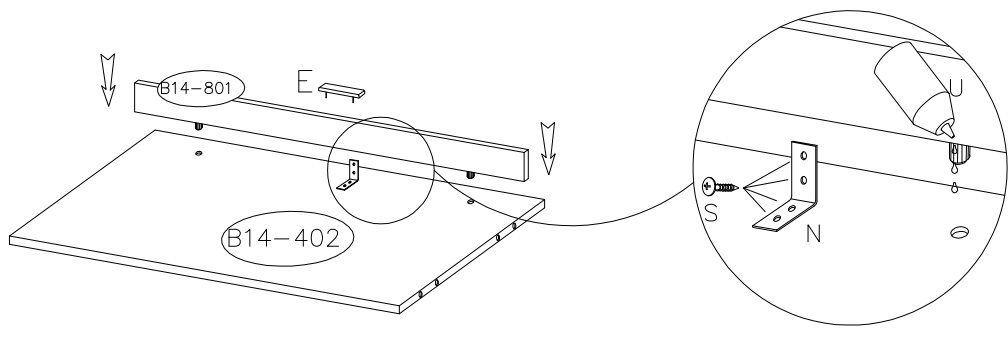
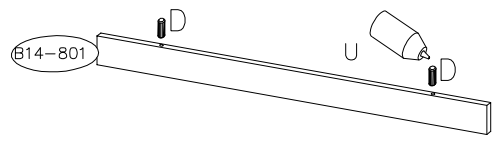
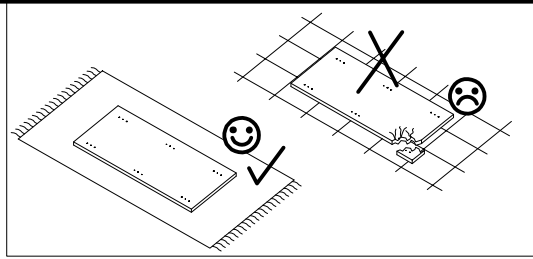
 D	 E	 4.0X30 F	 M	 I	 6.3X13 J	 L	 M	 N	 3.5X13 S
10	5	6	3	4	12	8	8	1	4
 U	 3.0x13 P2	 3.0x20 P4	 R						
1	6	12	 L						
			3 KPL						

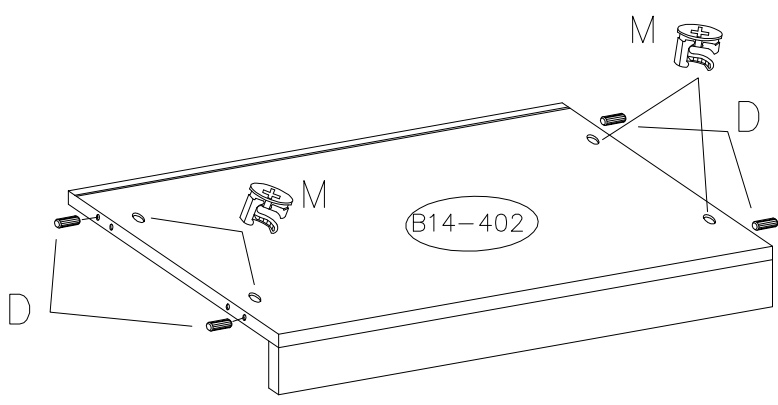
1



			3.5X13	
D	E	N	S	U
2	1	1	4	1

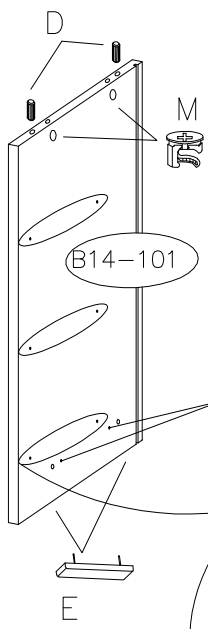







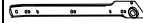

2

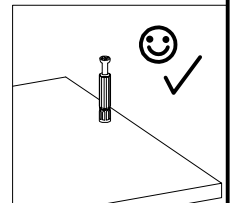
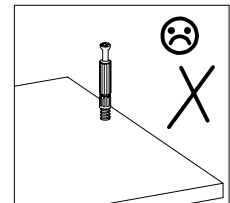
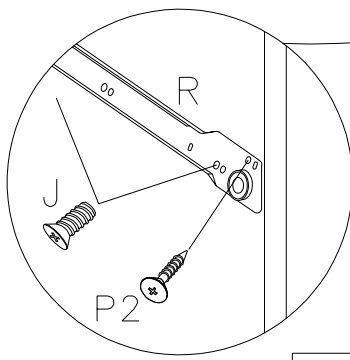
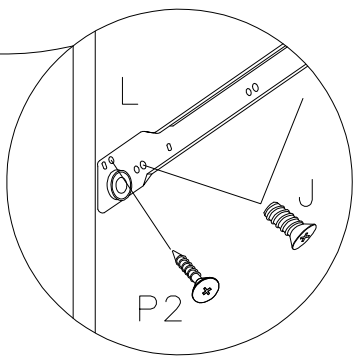
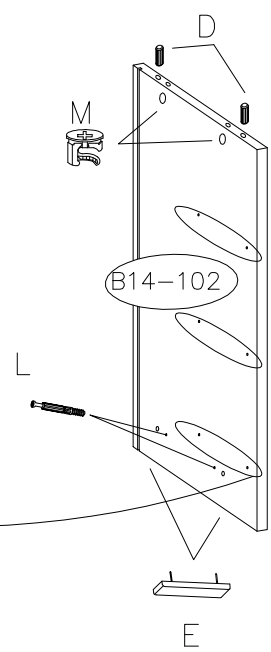


D	M
4	4

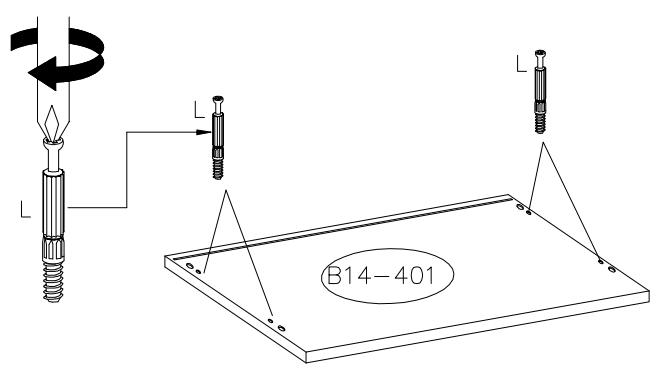
3




		6.3X13		
4	4	12	4	
	3.0X13			
4	6	3		

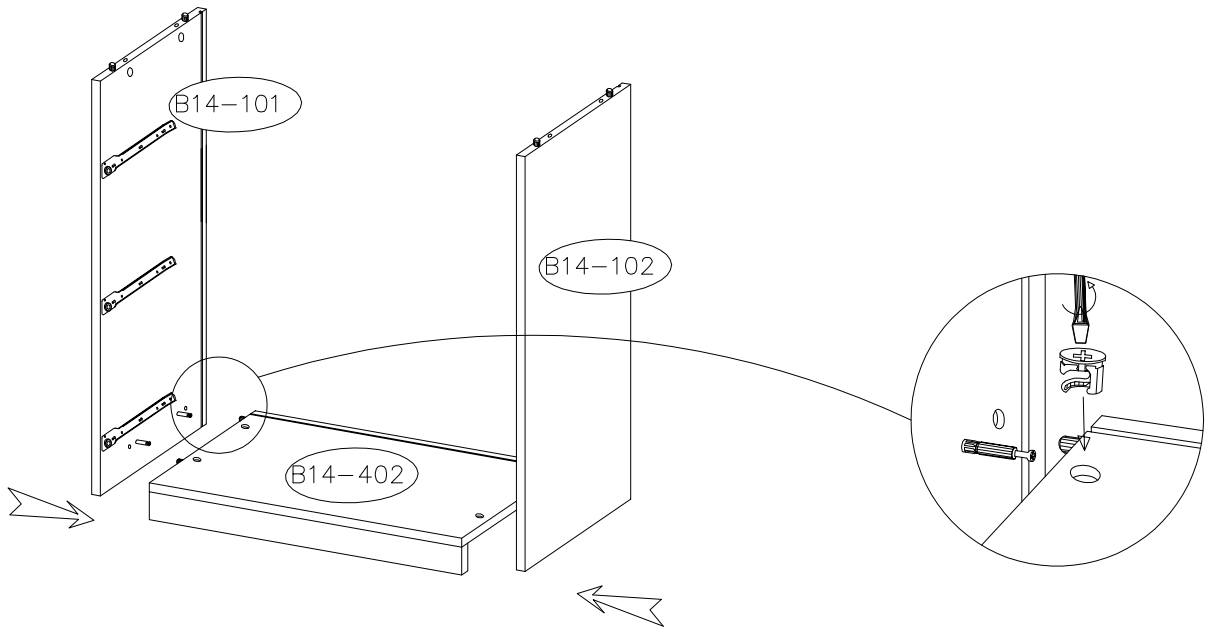


4

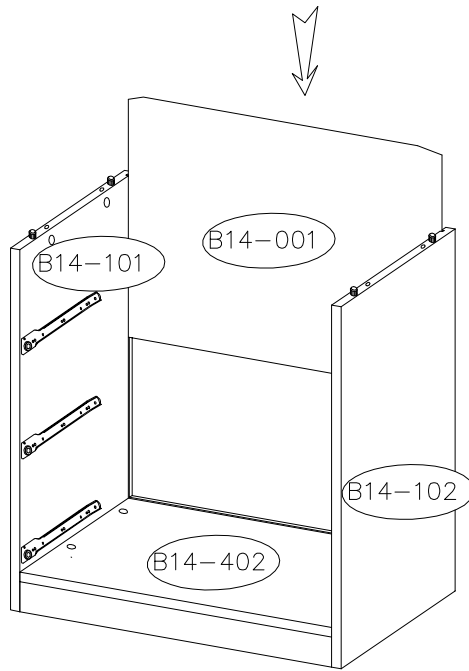



L
4

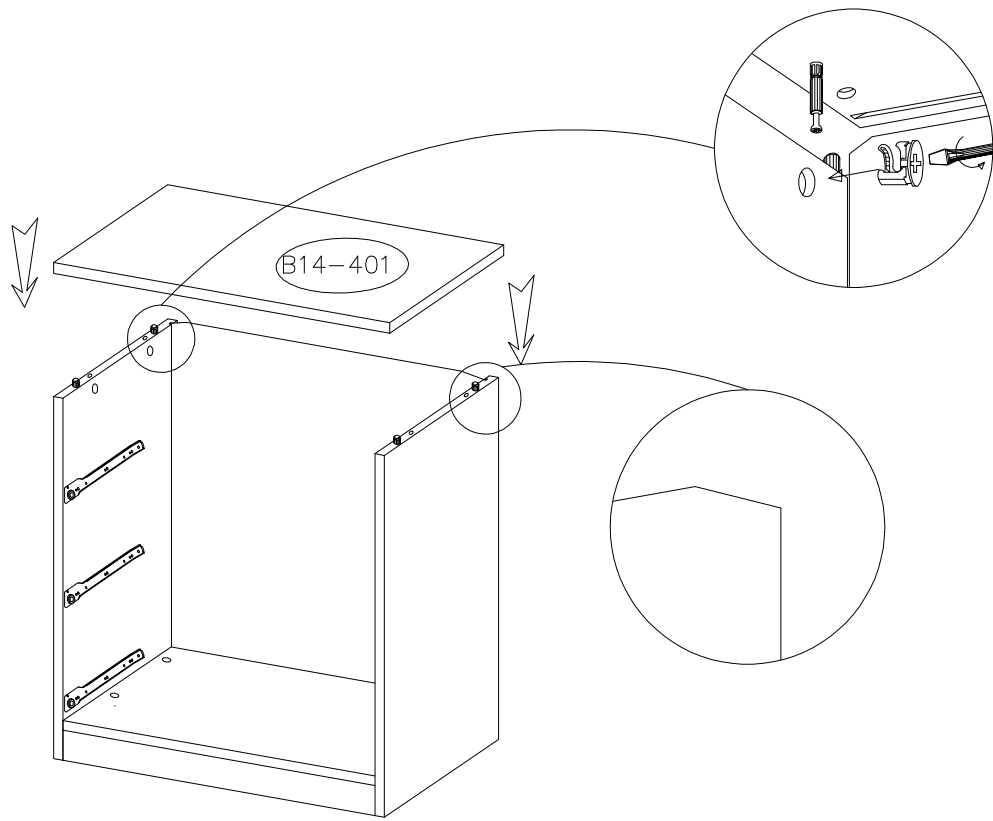
5



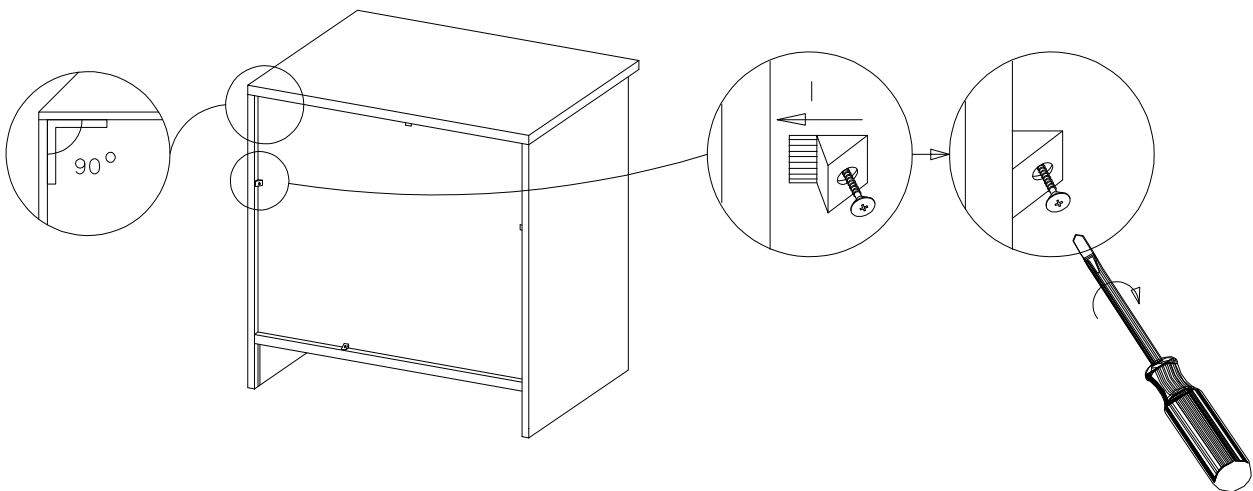
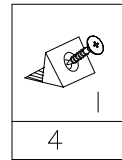
6



7

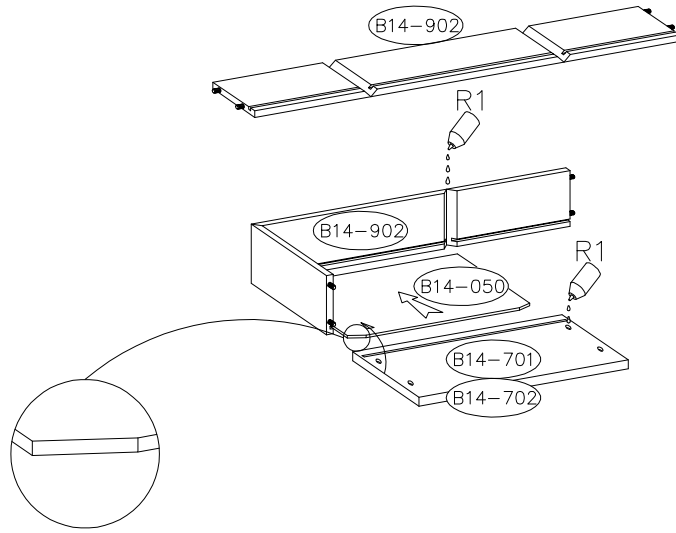


8



9

x3

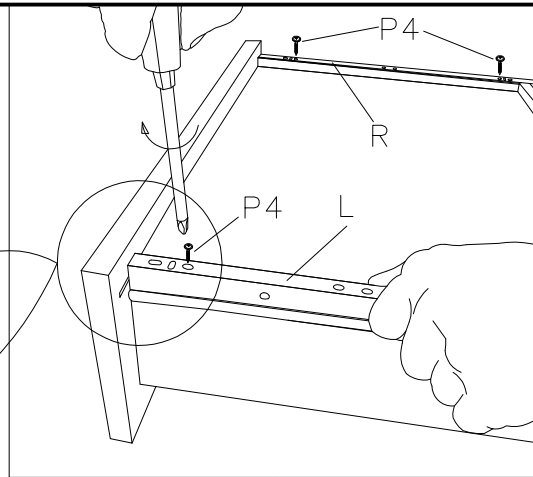
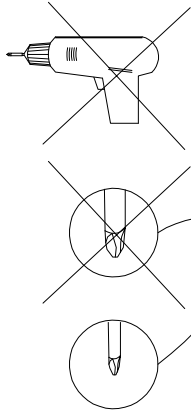


R1

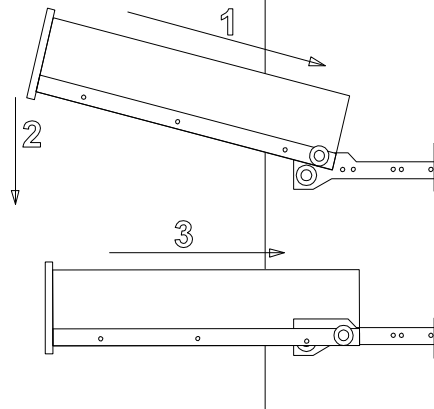
1



10



	4.0x30	3.0x20	
M	F	P4	R L
3	6	12	3



X3

