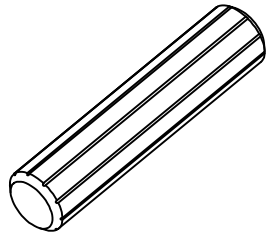
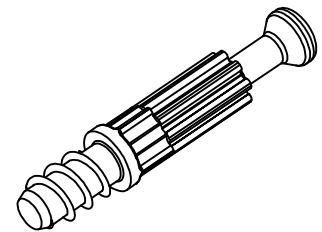


1	401	1	3
2	402	1	3
3	403	1	1
4	101	1	1
5	102	1	1
6	001	2	1
7	601	1	2
8	602	1	2
9	701	2	3
10	370	2	1
11	371	2	1
12	372	2	1
13	050	2	3

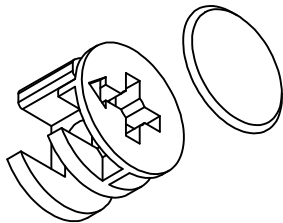
A x28
(8x36)



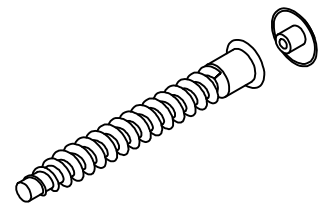
B x8



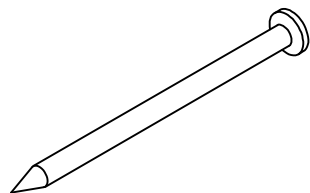
C x8
(Ø15x12)



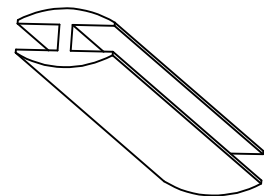
D x4



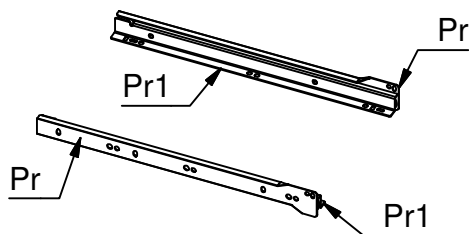
G x120



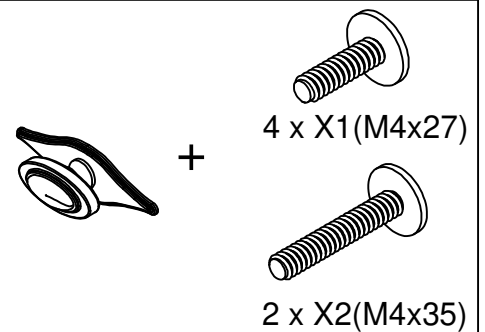
H x1



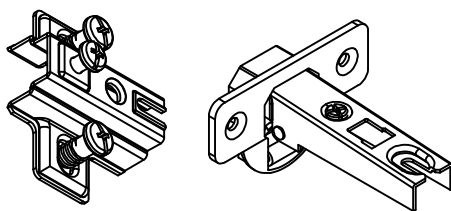
P x2



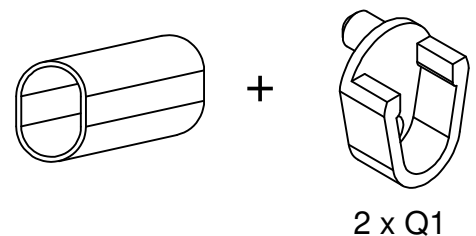
M x6



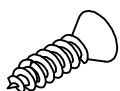
U x6



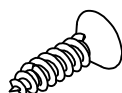
Q



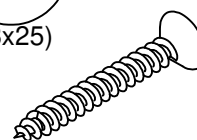
W1 x12
(3,5x13)



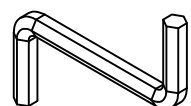
W4 x12
(3,5x16)

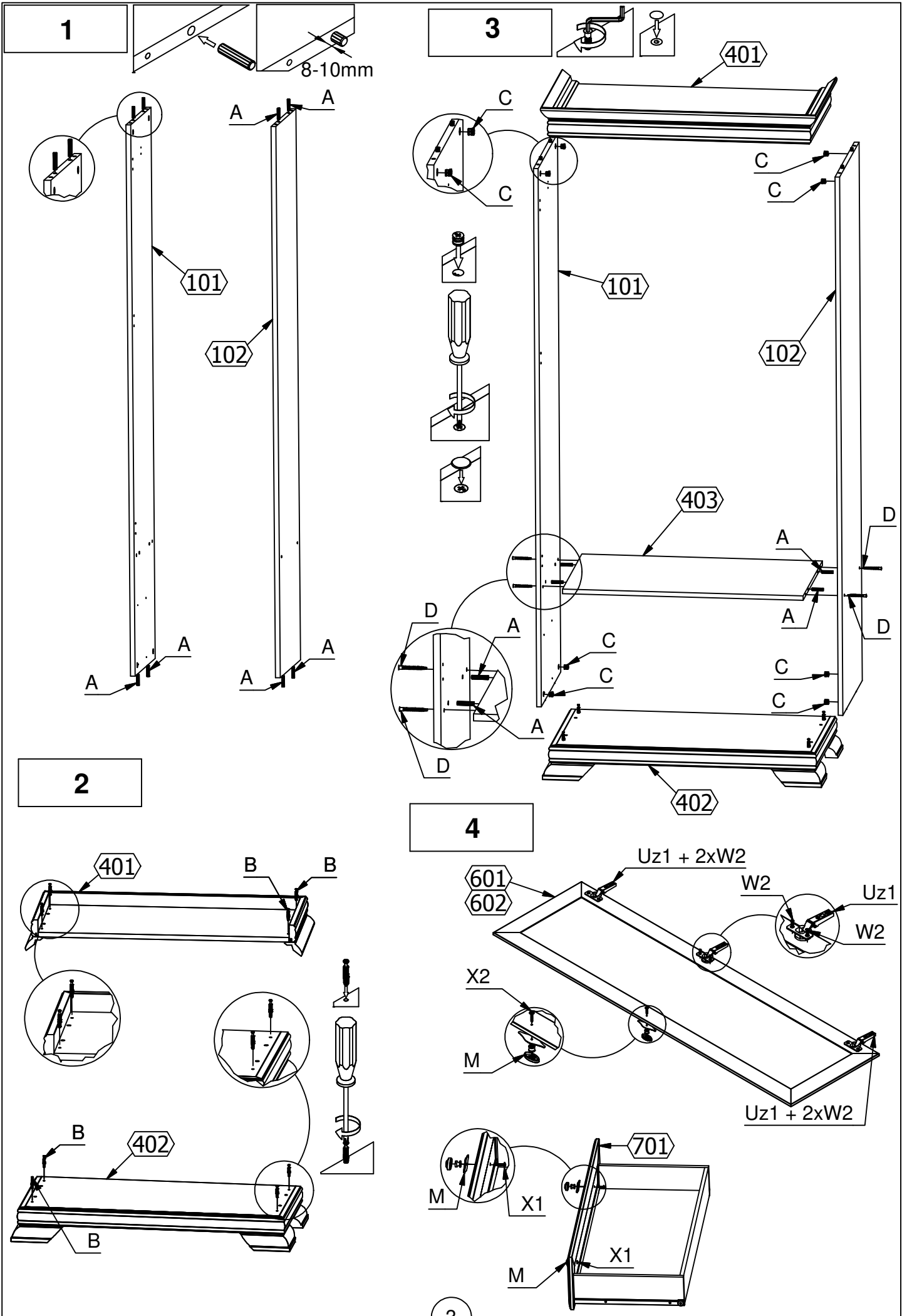


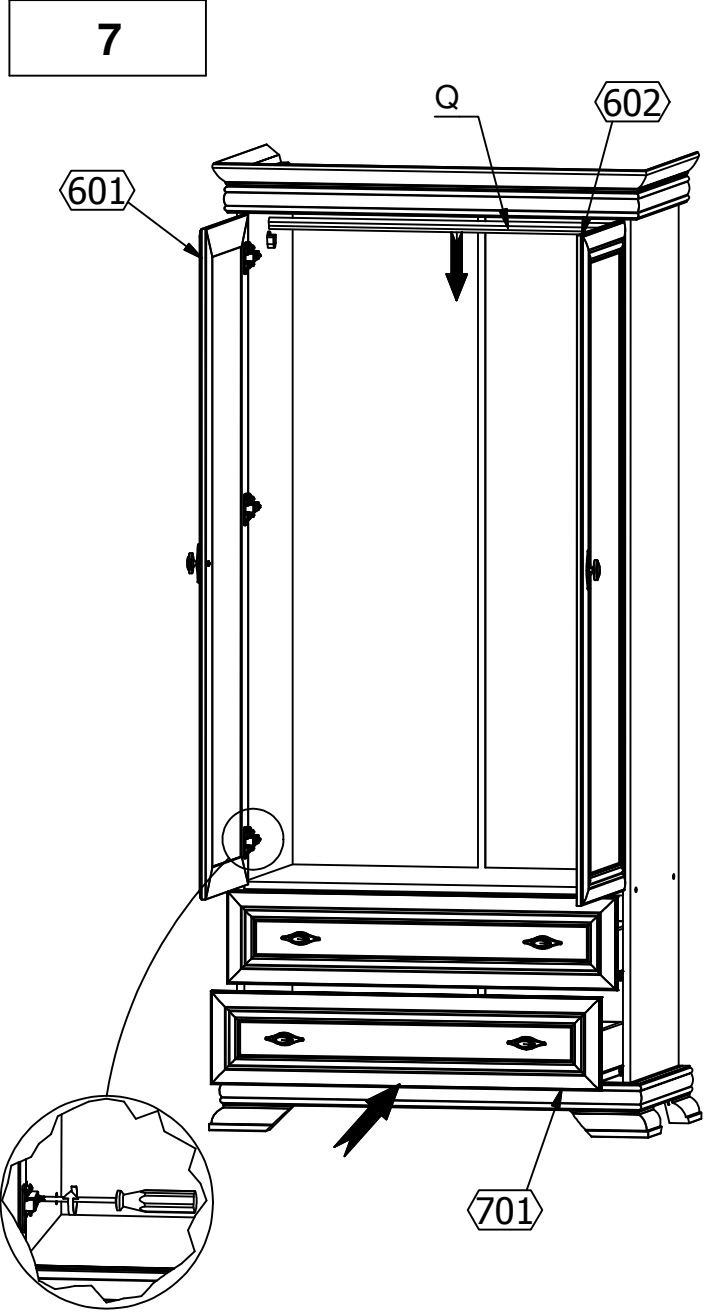
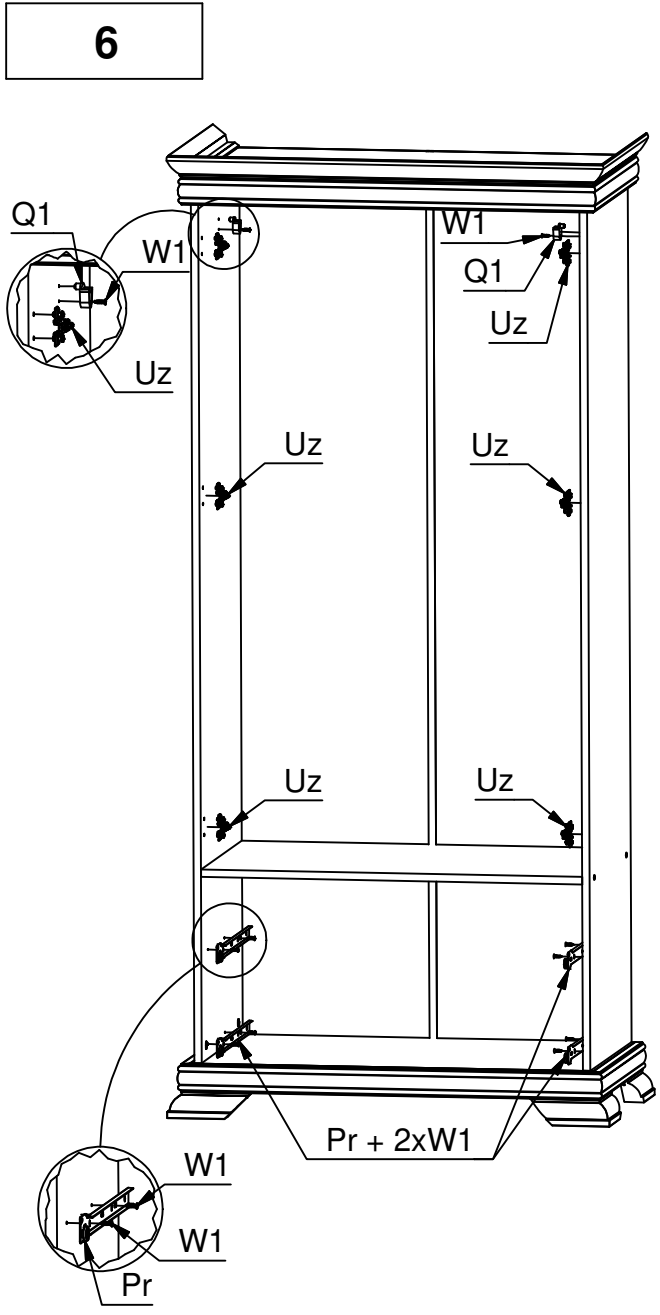
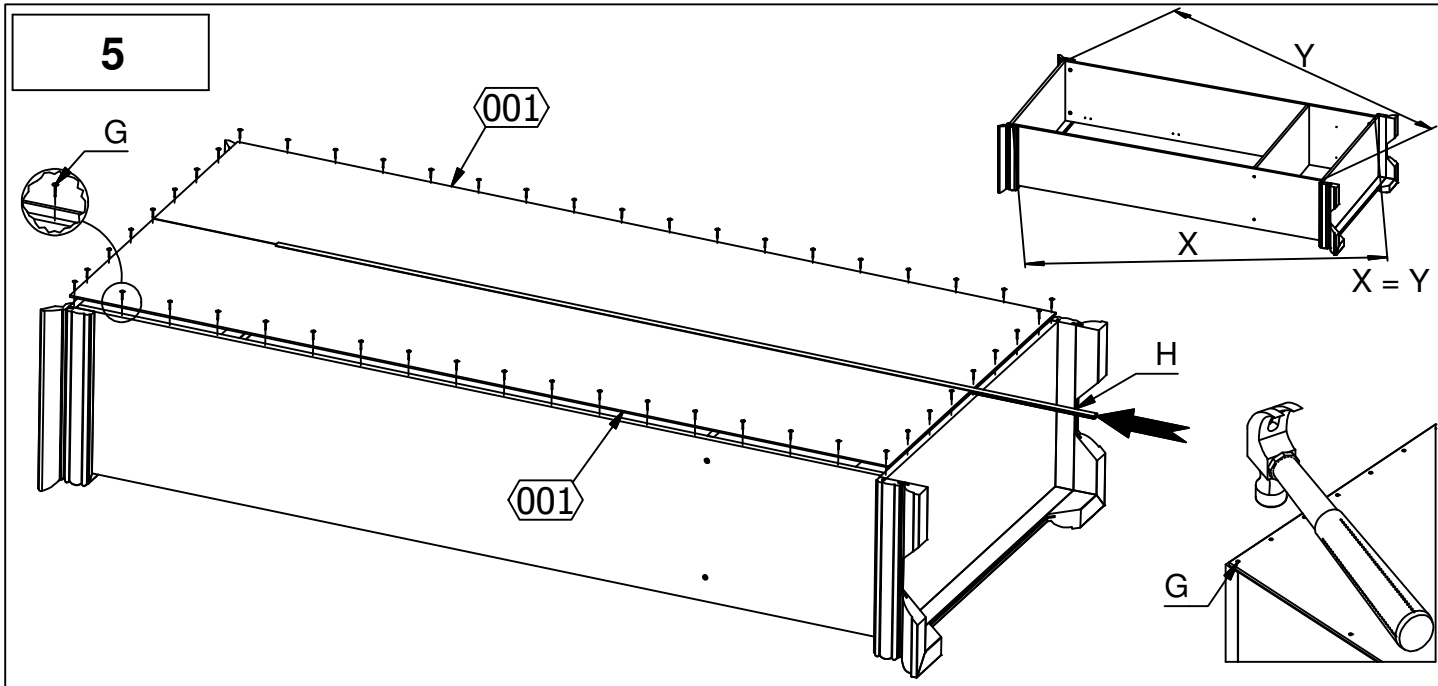
W3 x8
(3x25)

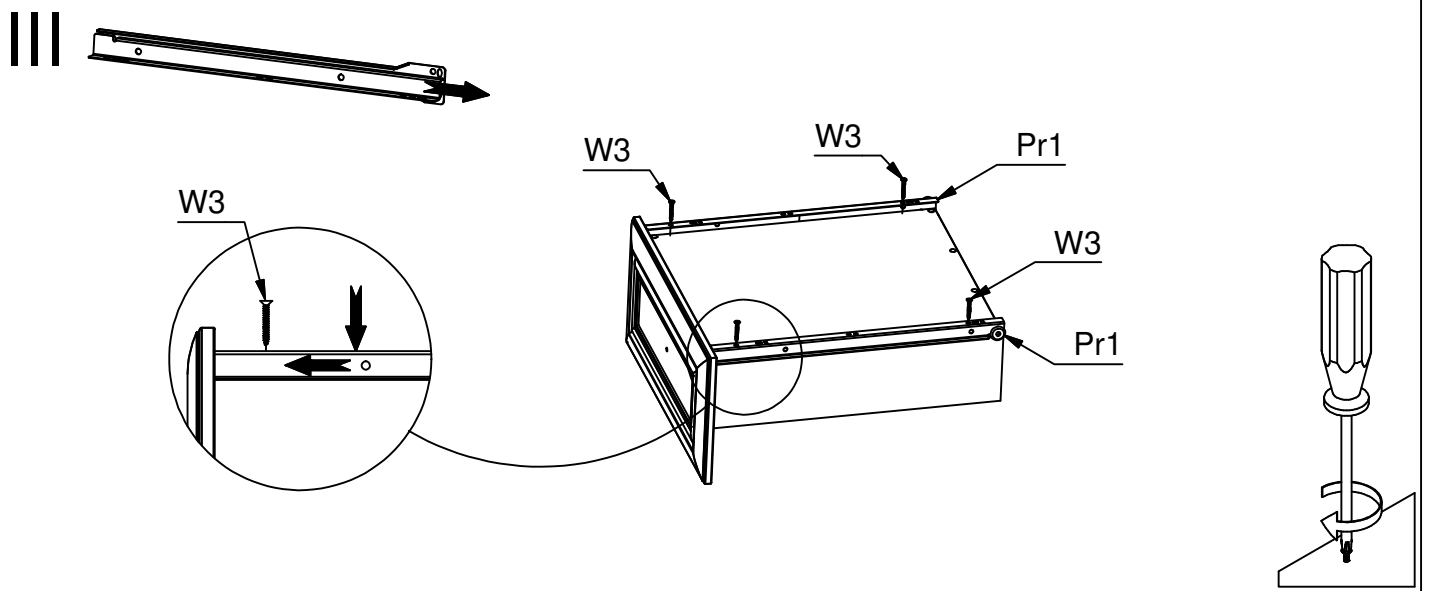
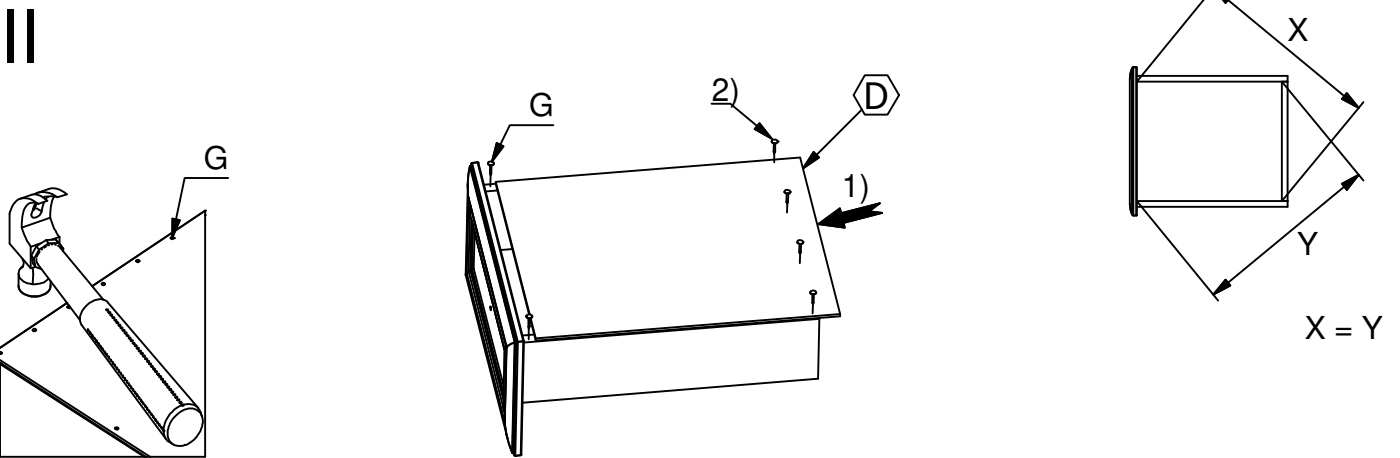
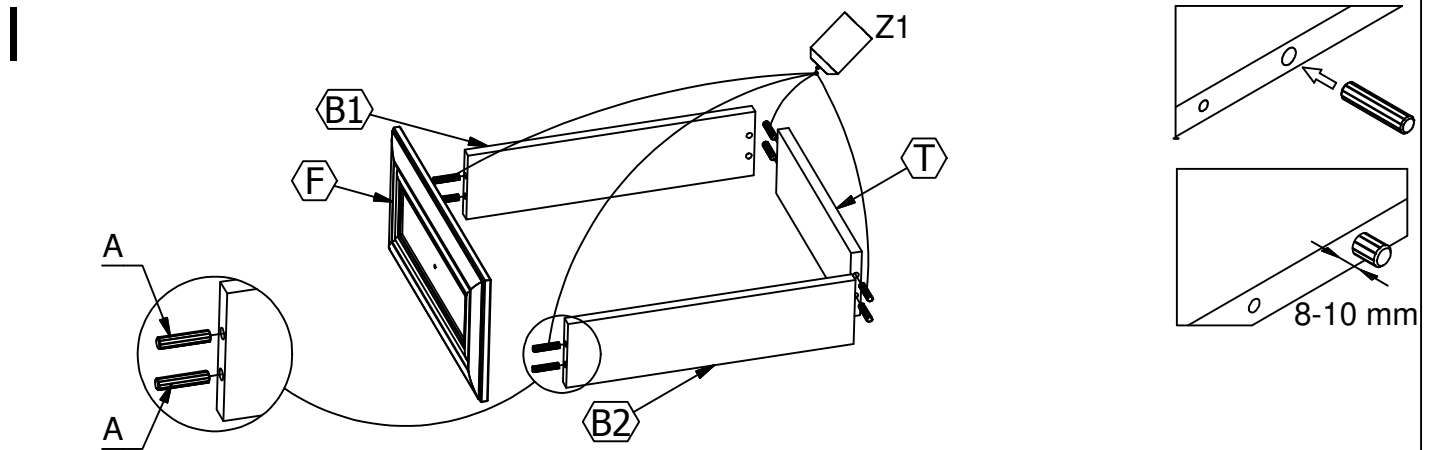
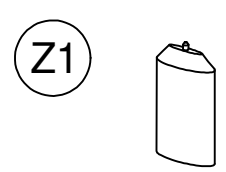
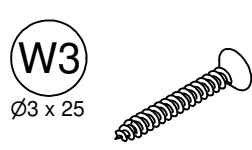
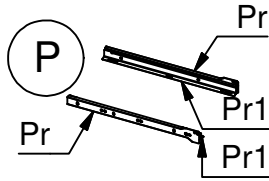
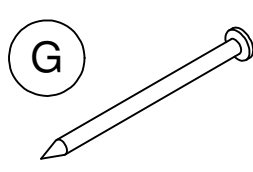
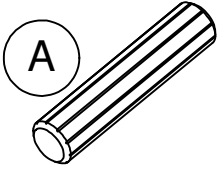
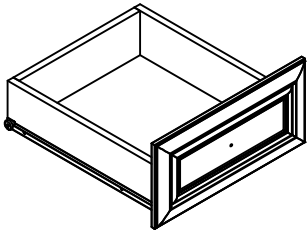


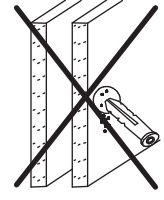
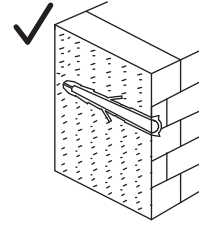
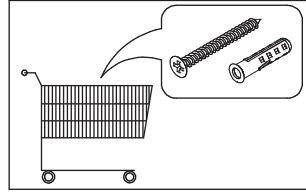
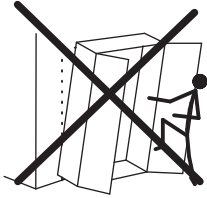
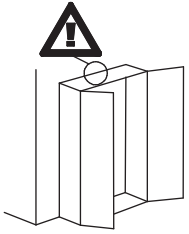
Z x1





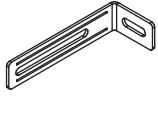






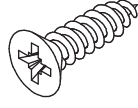
A

T4 x1



75x28x16 mm

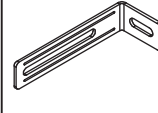
W2 x2



Ø3,5x16mm

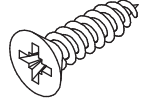
B

T4 x2



75x28x16 mm

W2 x4



Ø3,5x16mm

