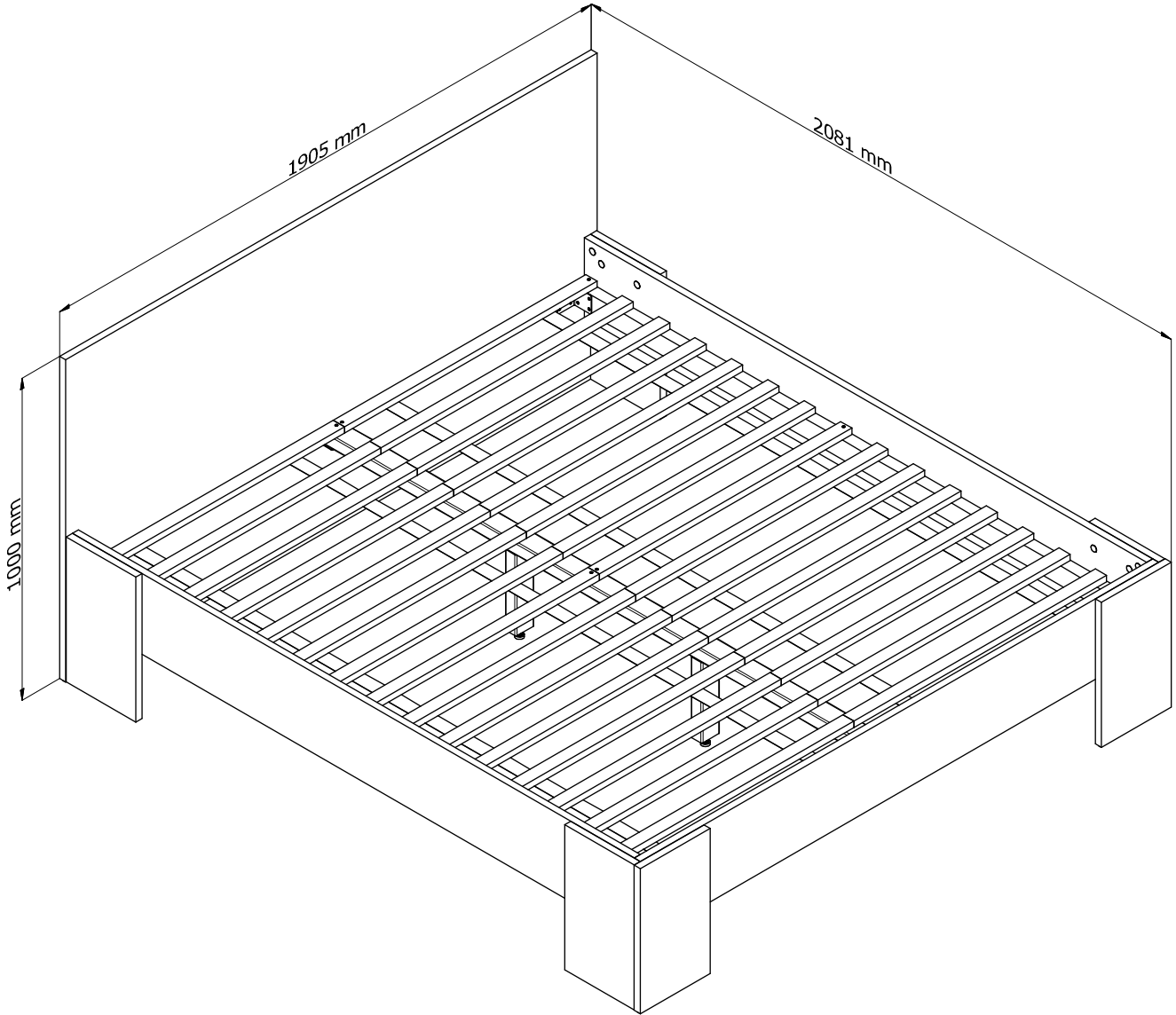
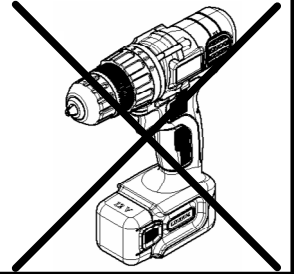
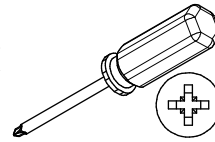
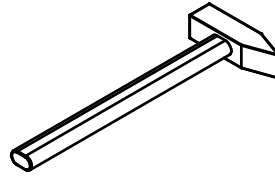
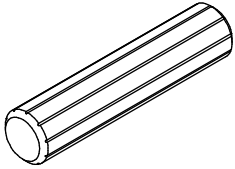


L2



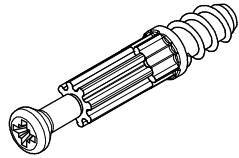


A1 x8



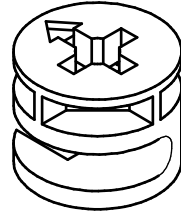
Ø8x35mm

B1 x12



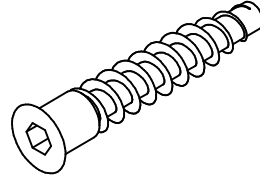
Ø5x38mm

C1 x12



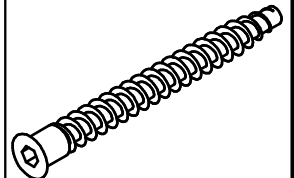
Ø15x12mm

K2 x24



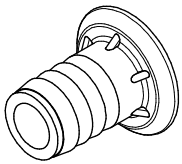
Ø7x40mm

K4 x2



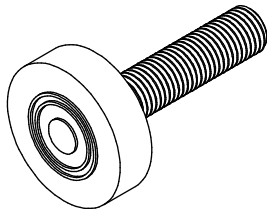
Ø7x70mm

L9 x2



M8x19mm

L10 x2



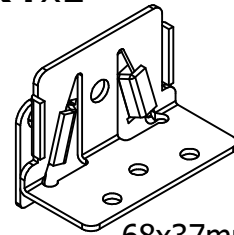
M8x40mm

N2 x1



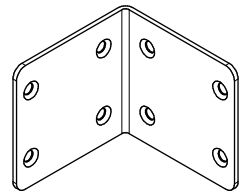
4mm HEX

R4 x2



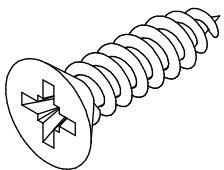
68x37mm

R5 x4



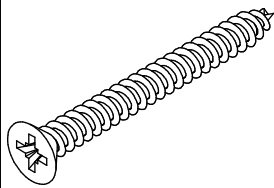
60x62mm

W2 x40



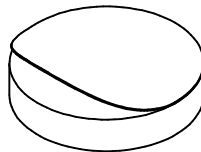
Ø3,5x16mm

W6 x18

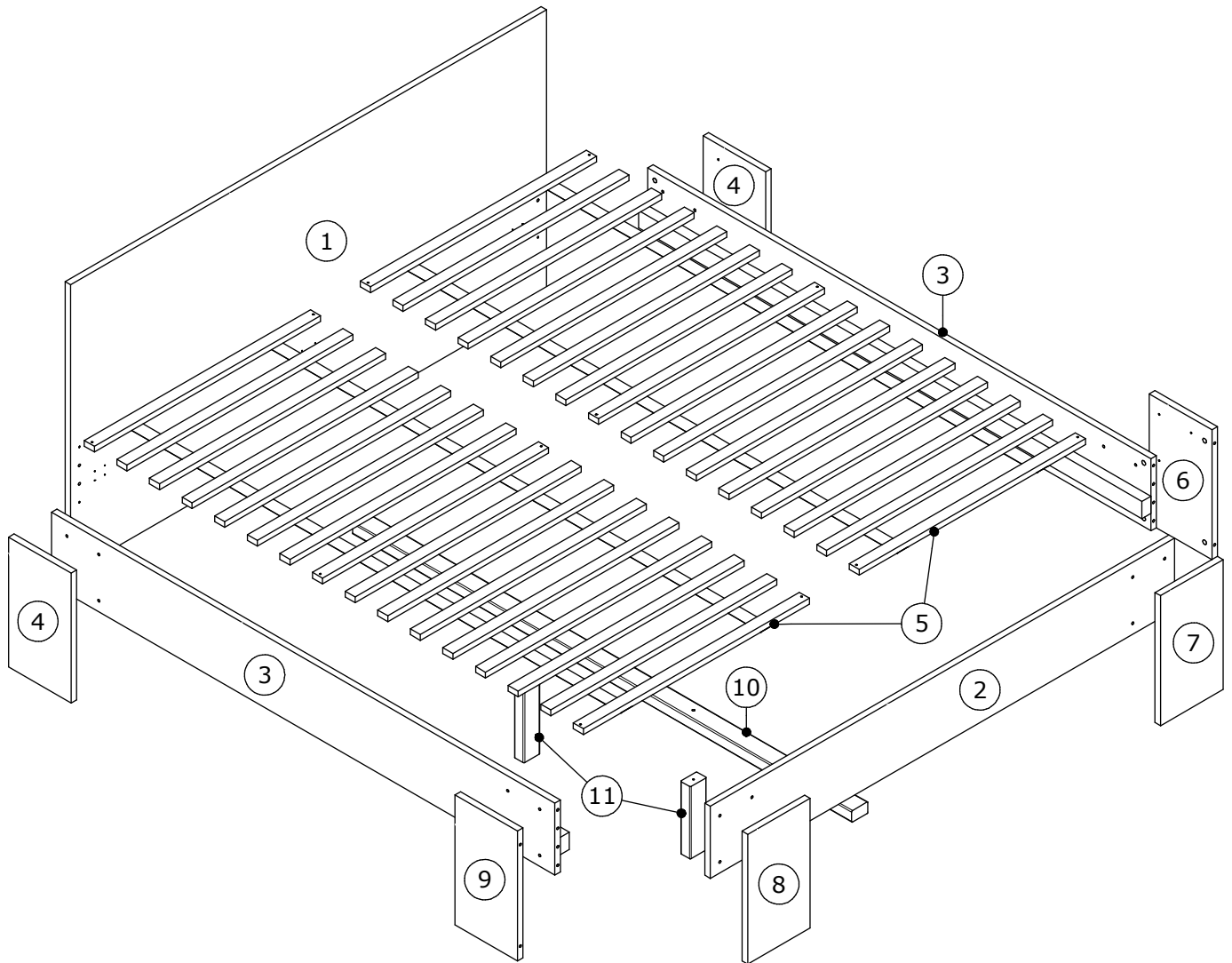
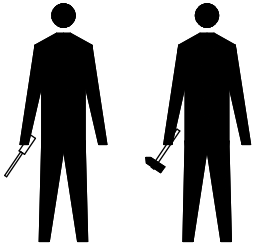


Ø4x40mm

Y2 x18



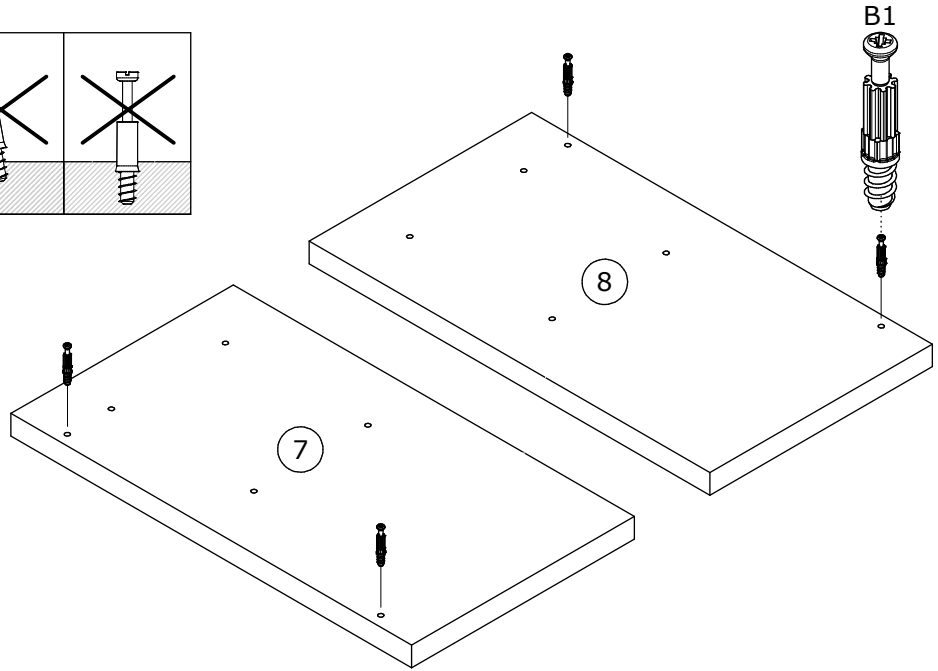
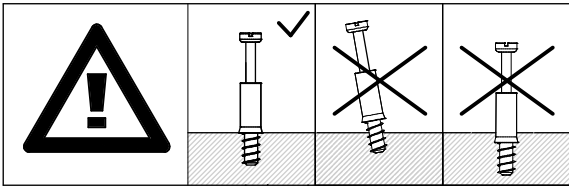
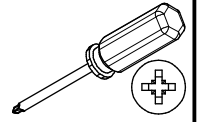
Ø16mm



No.	L[mm]	W[mm]	H[mm]	PCS	BOX
1	1905	1000	22	1	2/3
2	1858	250	22	1	2/3
3	2015	250	22	2	1/3
4	450	250	22	2	2/3
5	905	40	20	2	3/3
6	450	250	22	1	2/3
7	450	250	22	1	2/3
8	450	250	22	1	2/3
9	450	250	22	1	2/3
10	1998	65	40	1	1/3
11	250	65	40	2	3/3

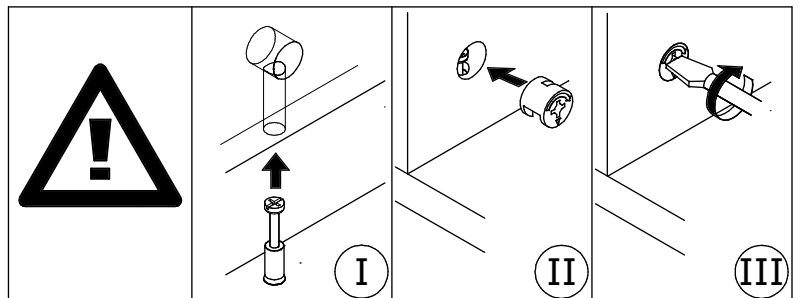
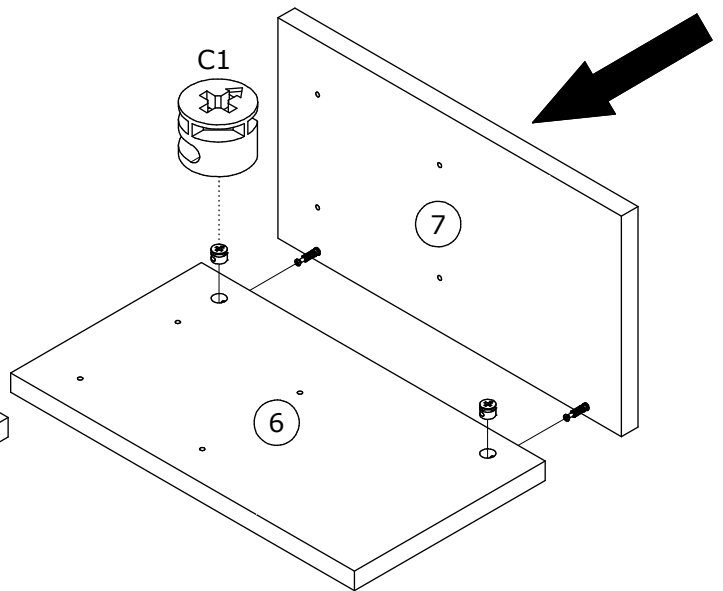
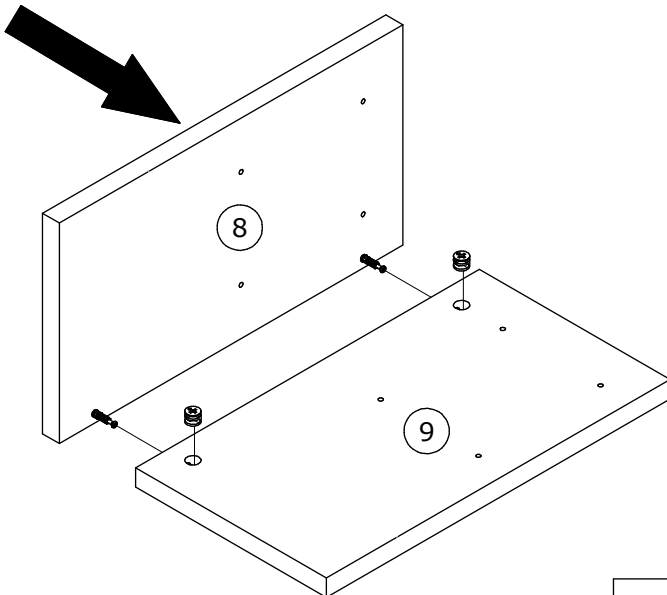
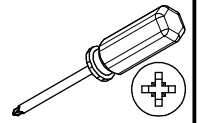
1

B1 x4
Ø5x38mm



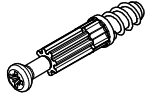
2

C1 x4
Ø15x12mm



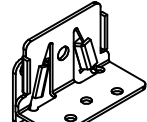
3

B1 x4



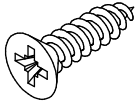
Ø5x38mm

R4 x1

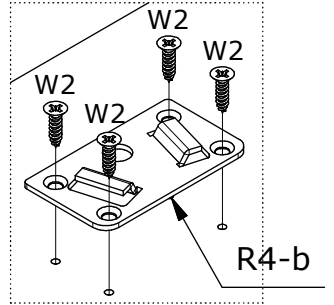
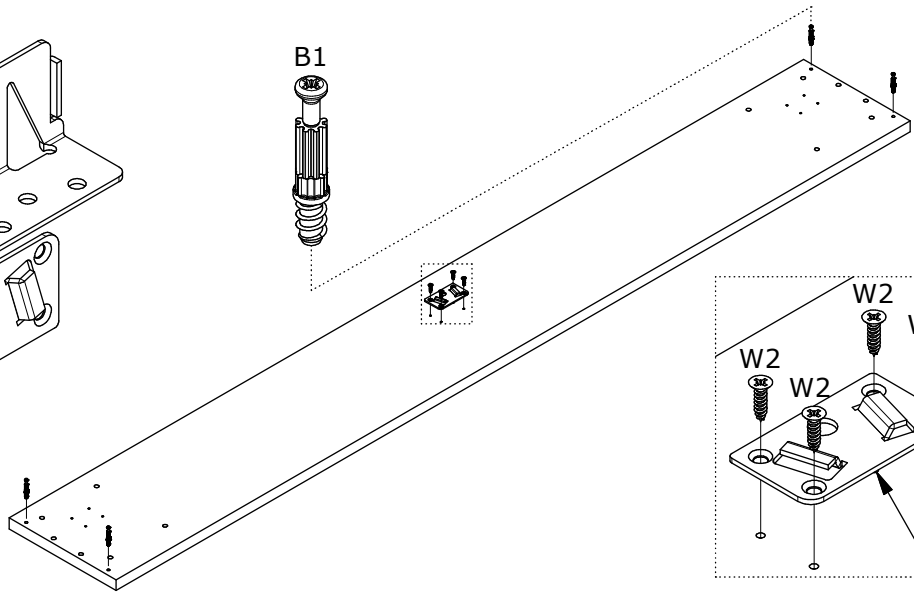
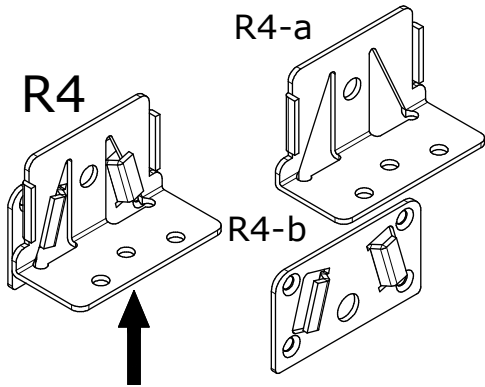
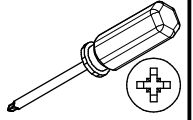


68x37mm

W2 x4

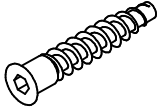


Ø3,5x16mm



4

K2 x8



Ø7x40mm

N2 x1

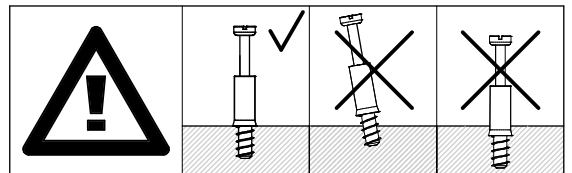
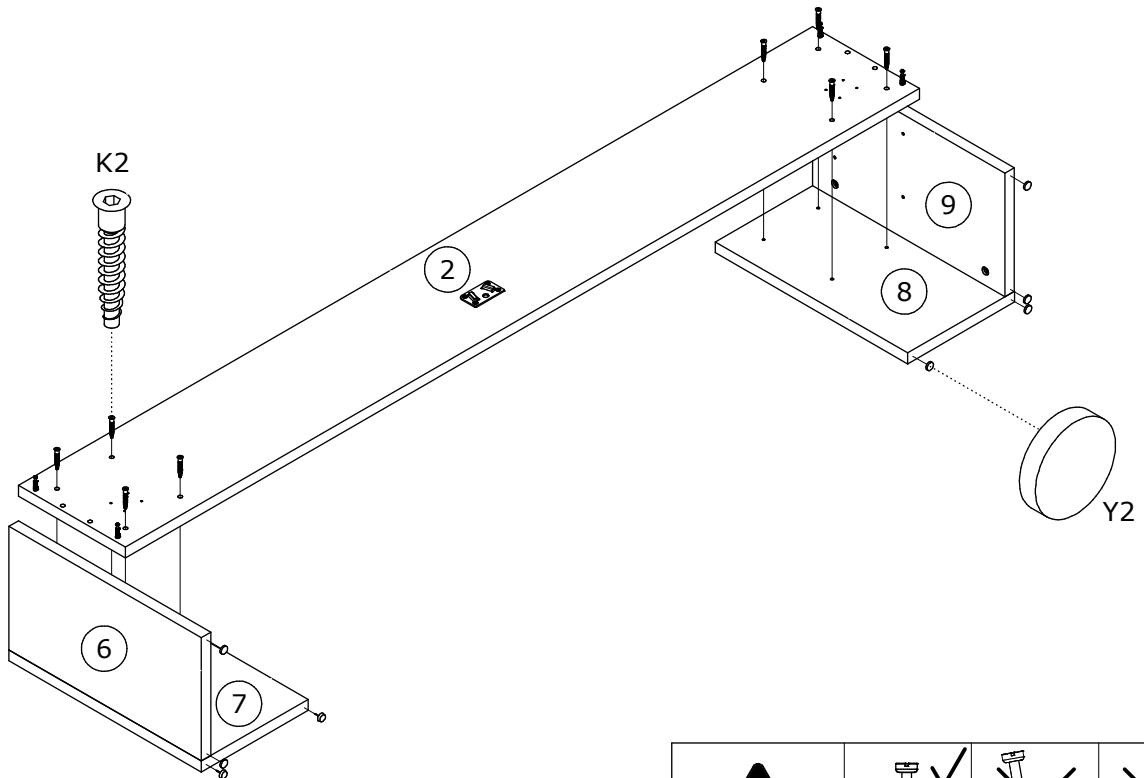


4mm HEX

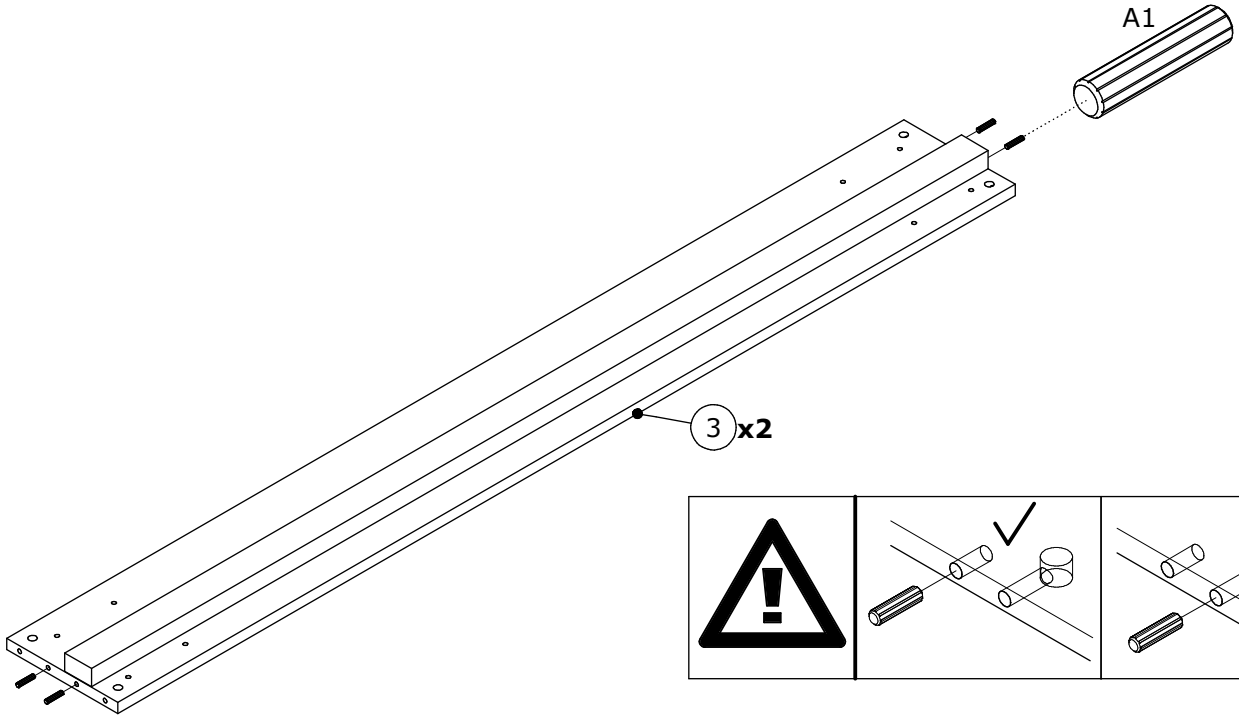
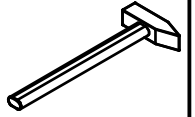
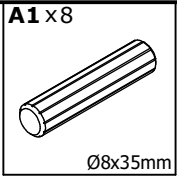
Y2 x8



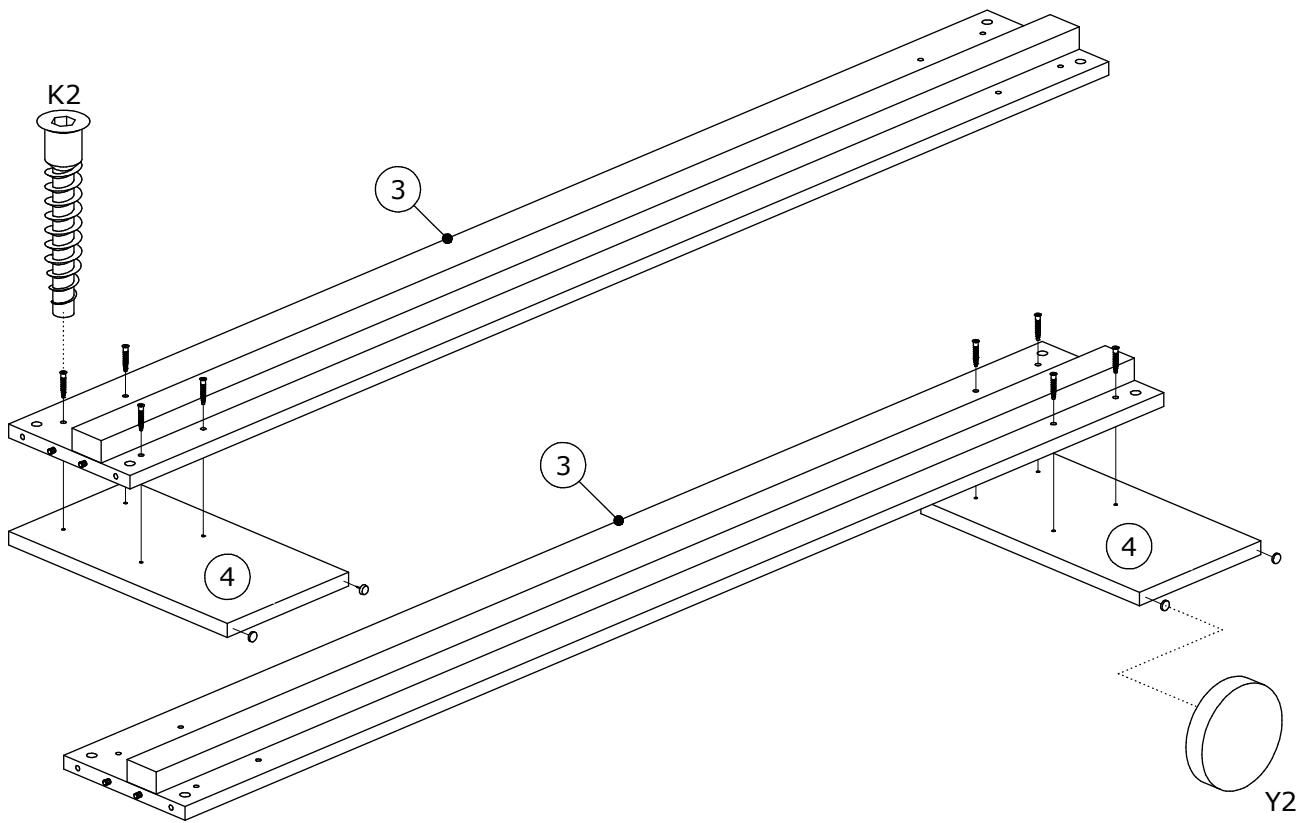
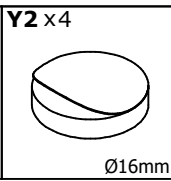
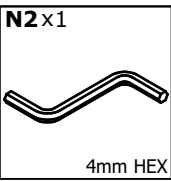
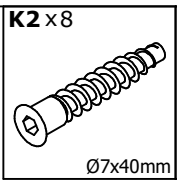
Ø16mm



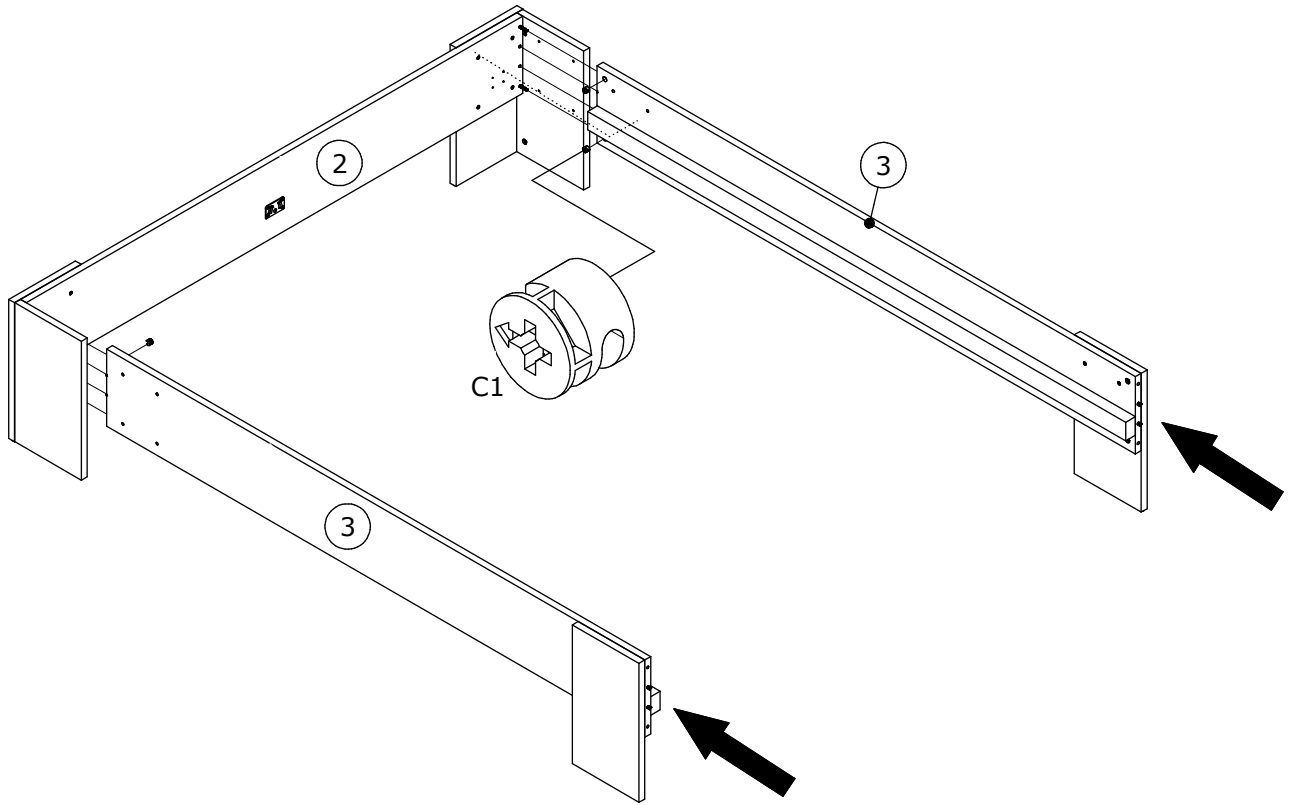
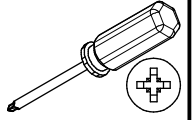
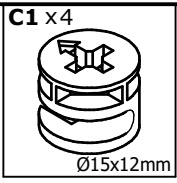
5



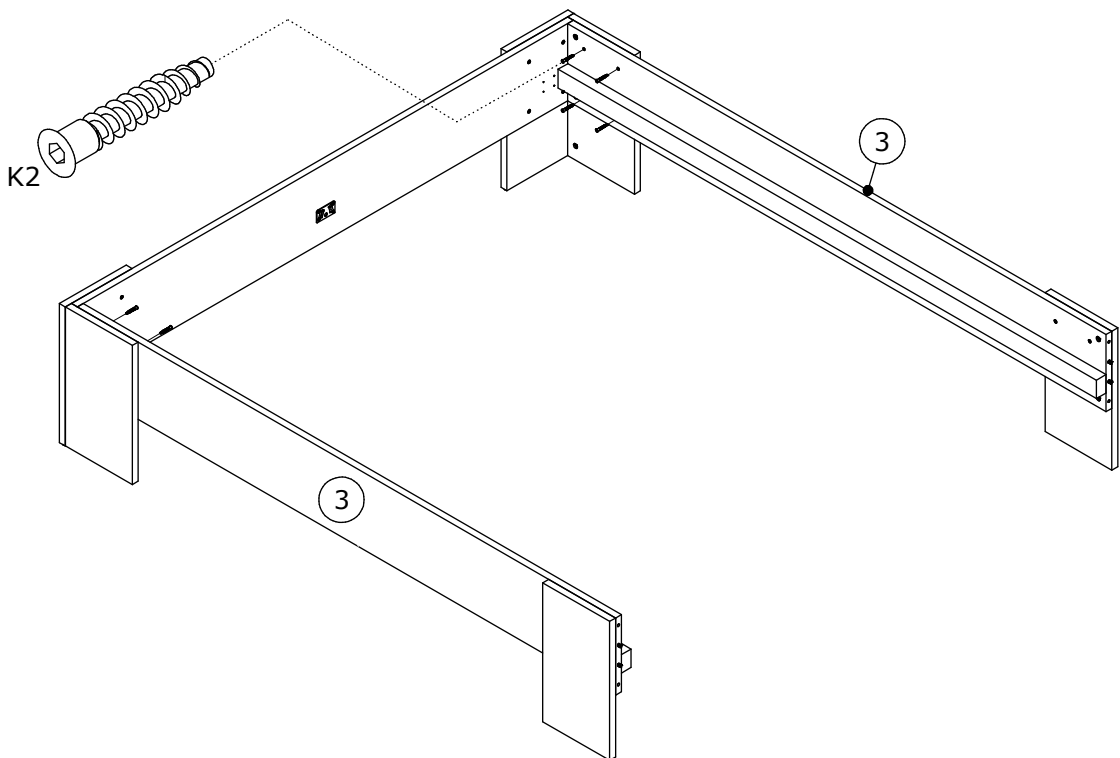
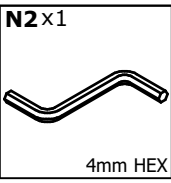
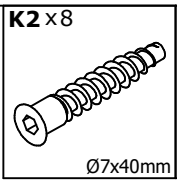
6



7

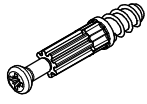


8



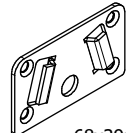
9

B1 x4



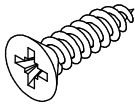
Ø5x38mm

R4-bx1

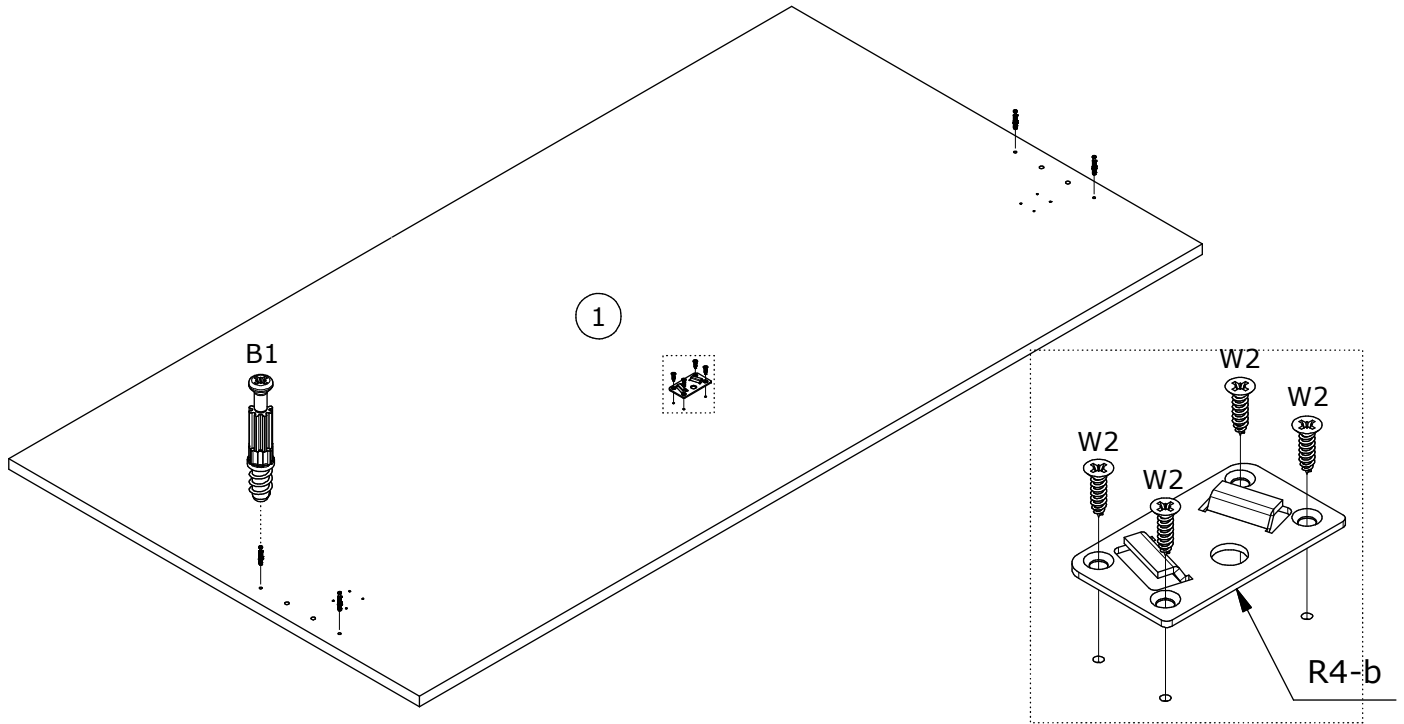
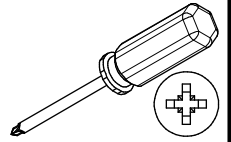


68x39mm

W2 x4

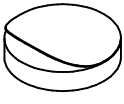


Ø3,5x16mm

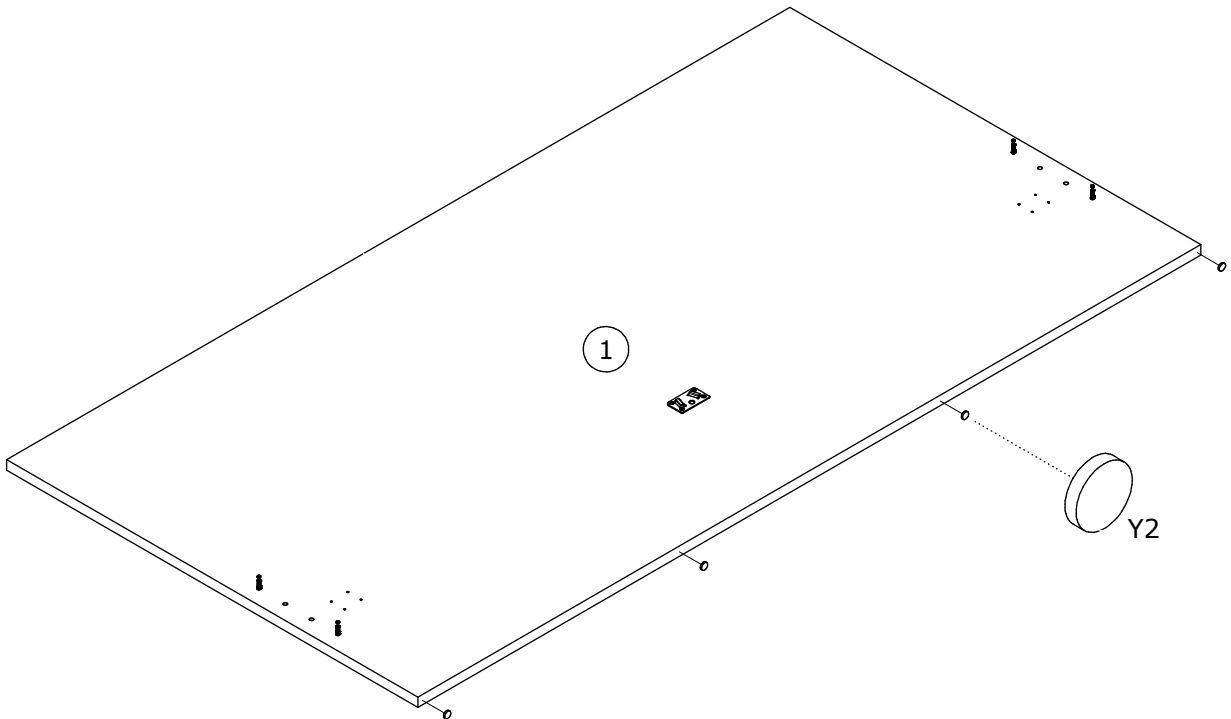


10

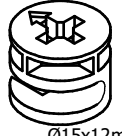
Y2 x4

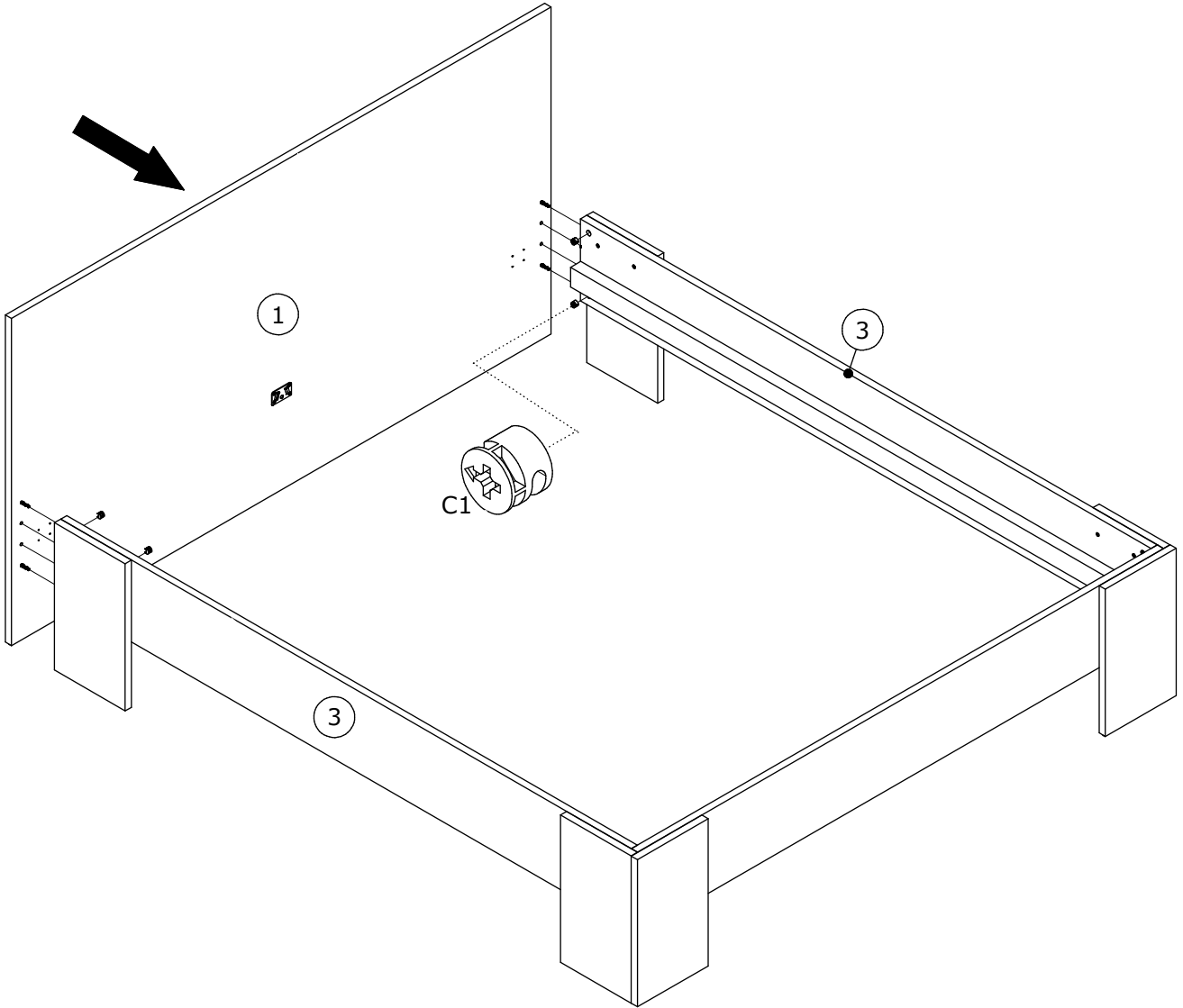
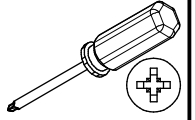


Ø16mm



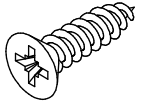
11

C1 x4

Ø15x12mm



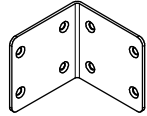
12

W2x32

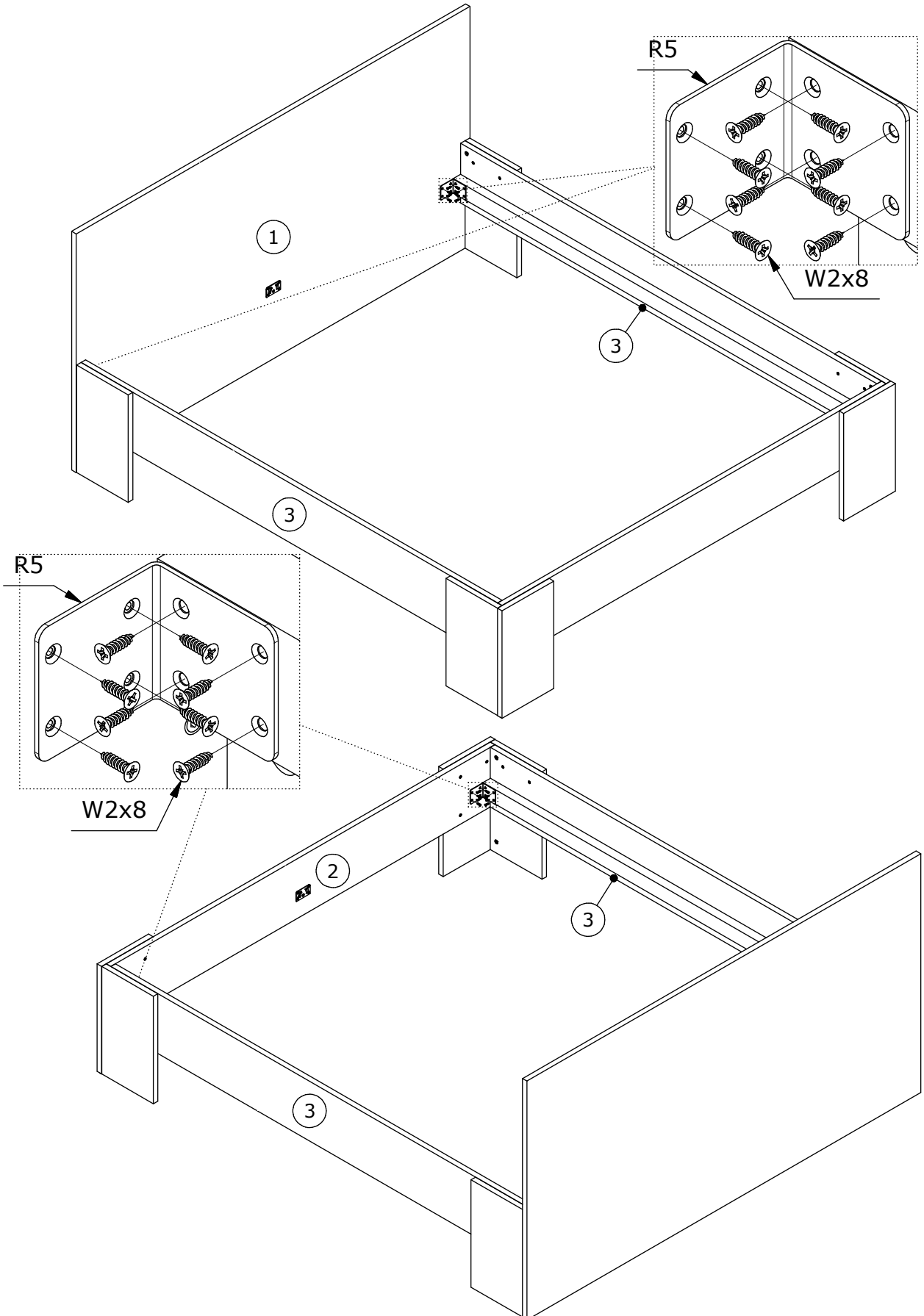
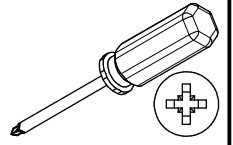


Ø3,5x16mm

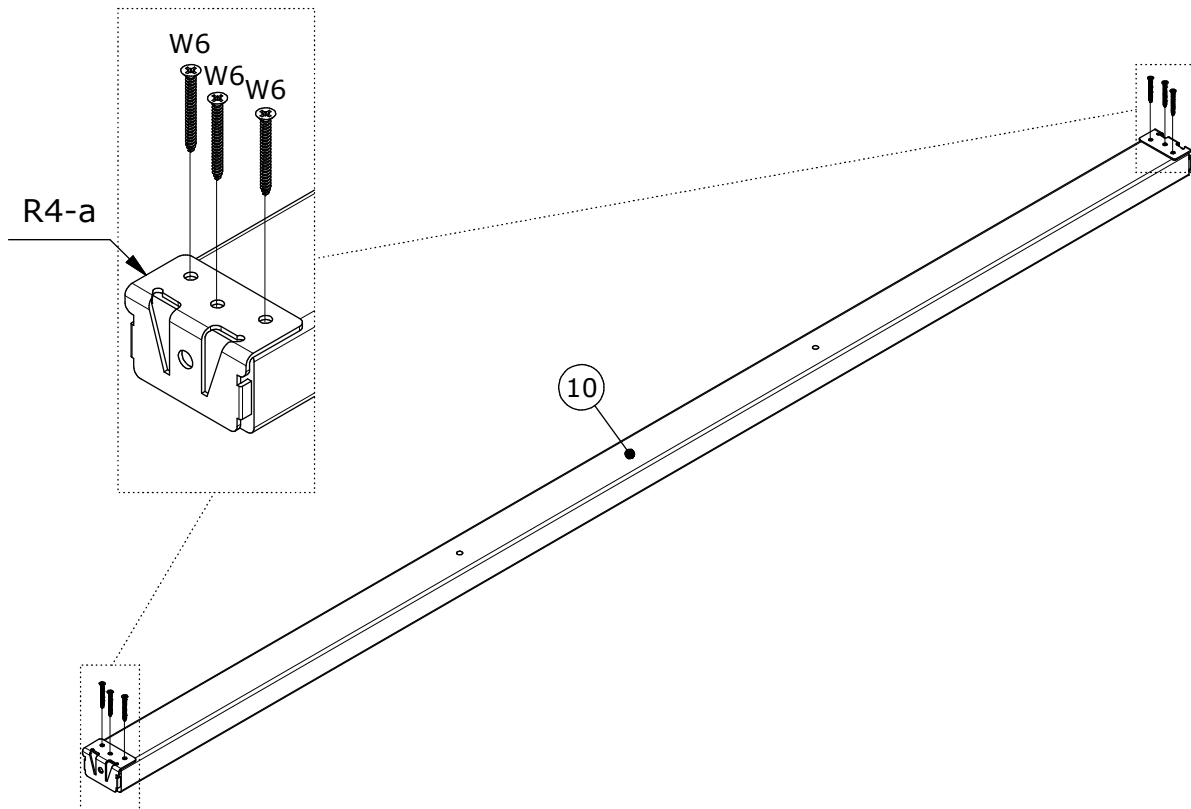
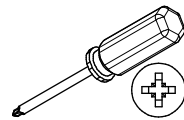
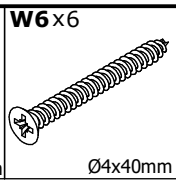
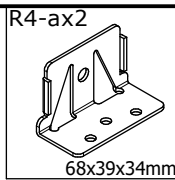
R5x4



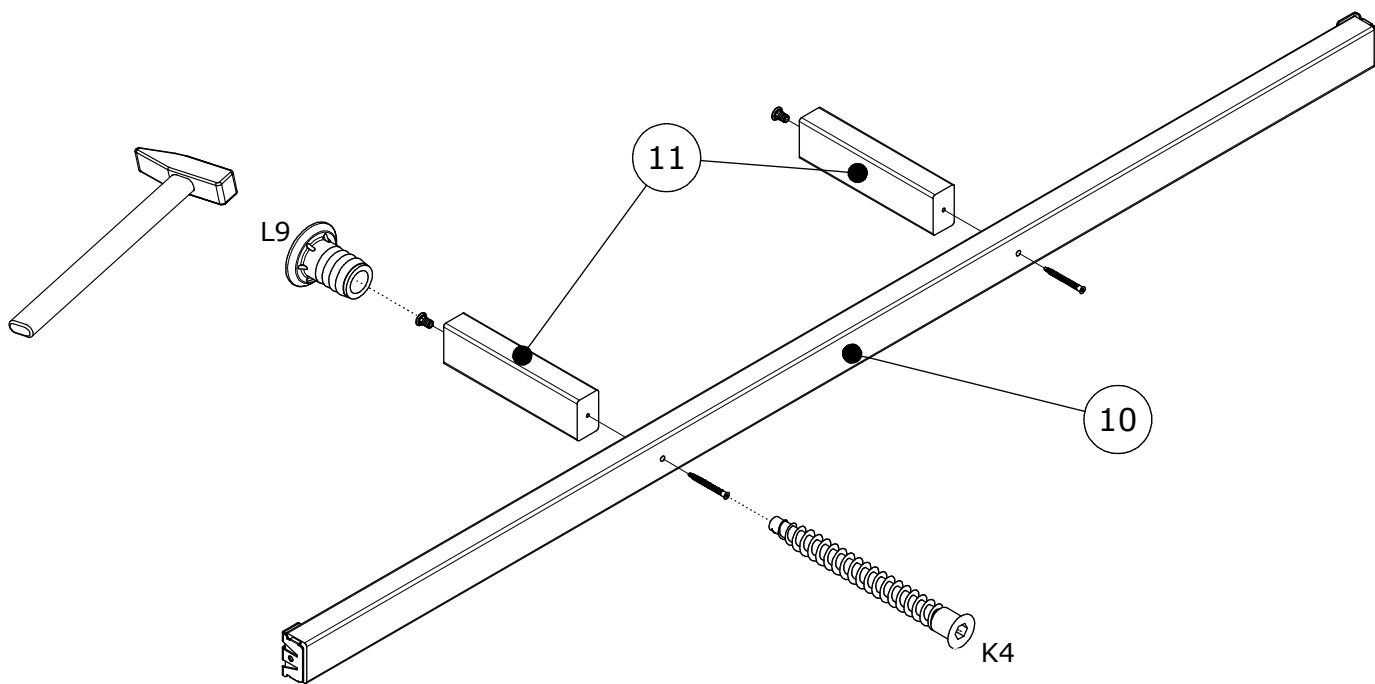
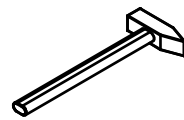
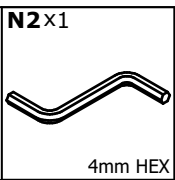
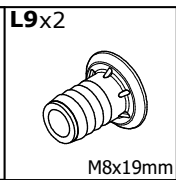
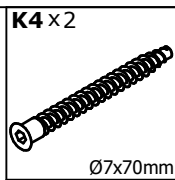
60x62mm



13

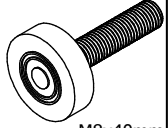


14



15

L10x2

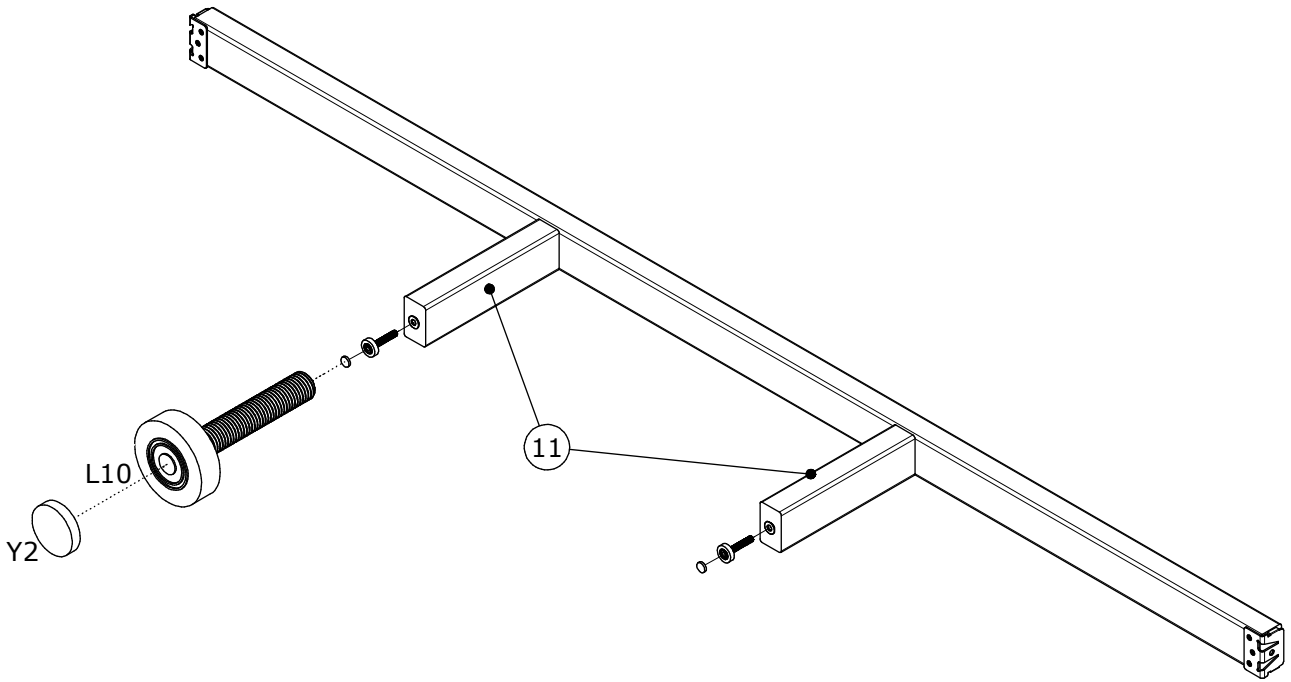


M8x40mm

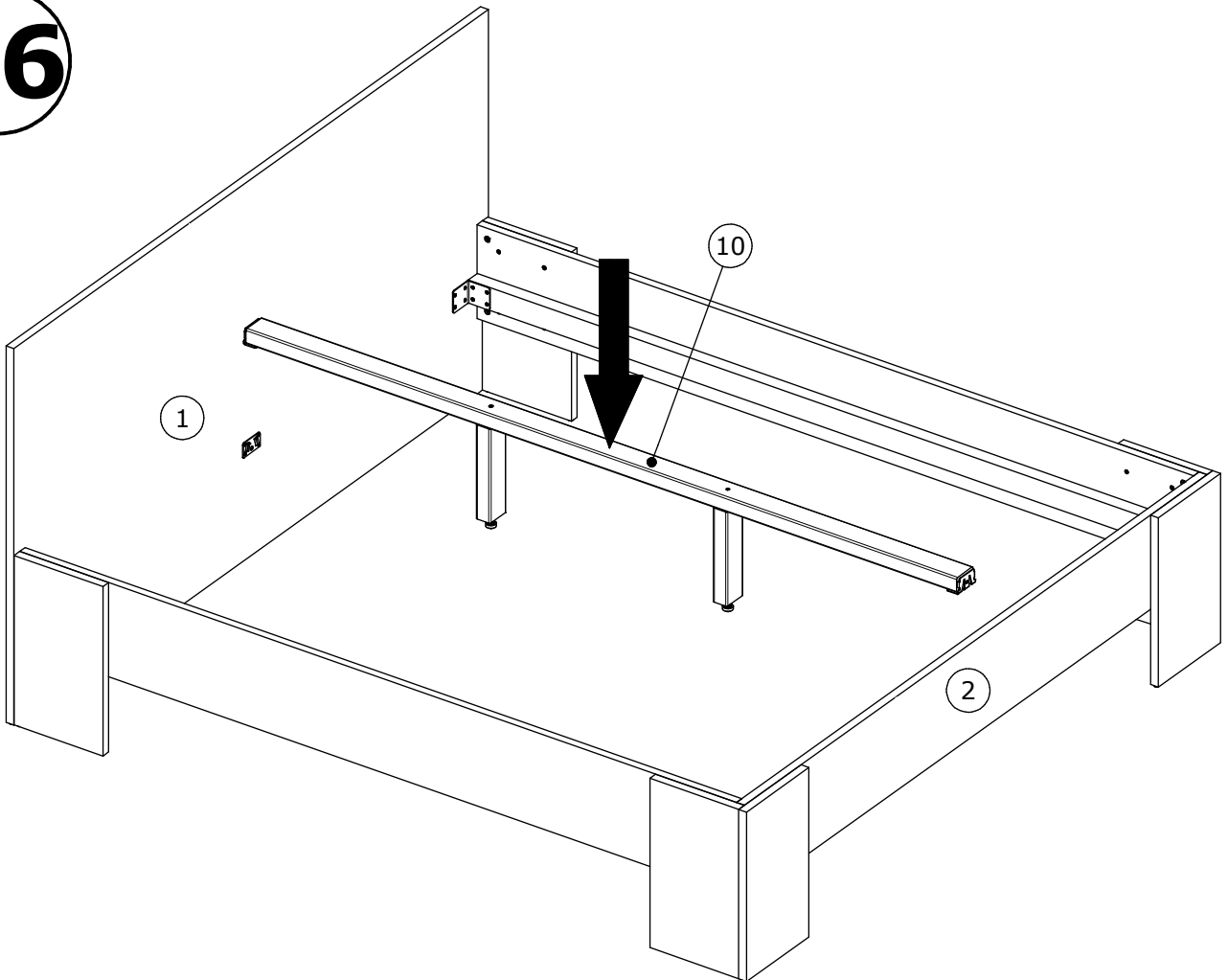
Y2 x2



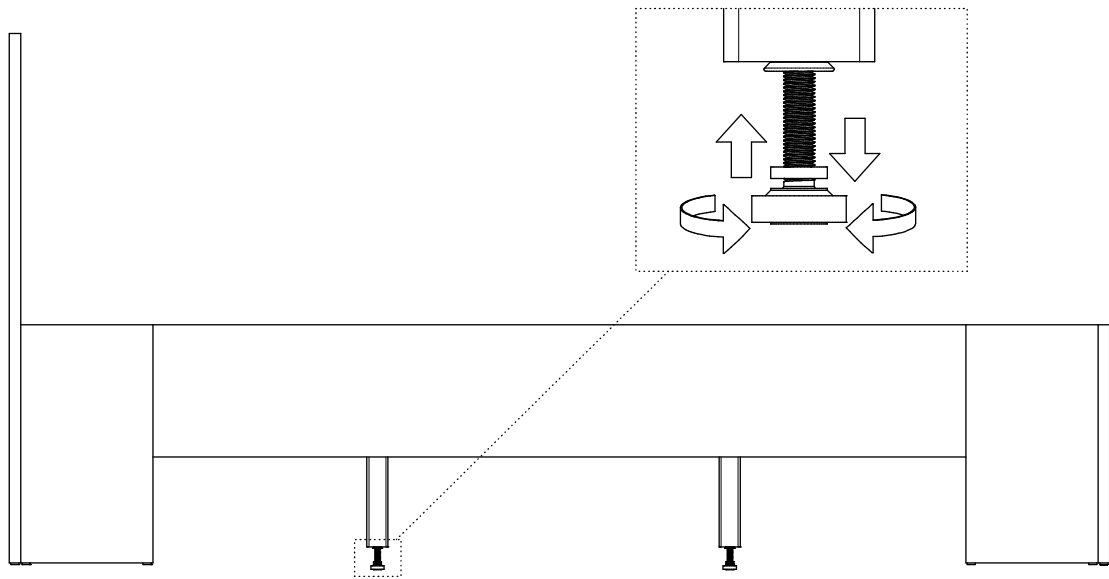
Ø16mm



16



17



18

