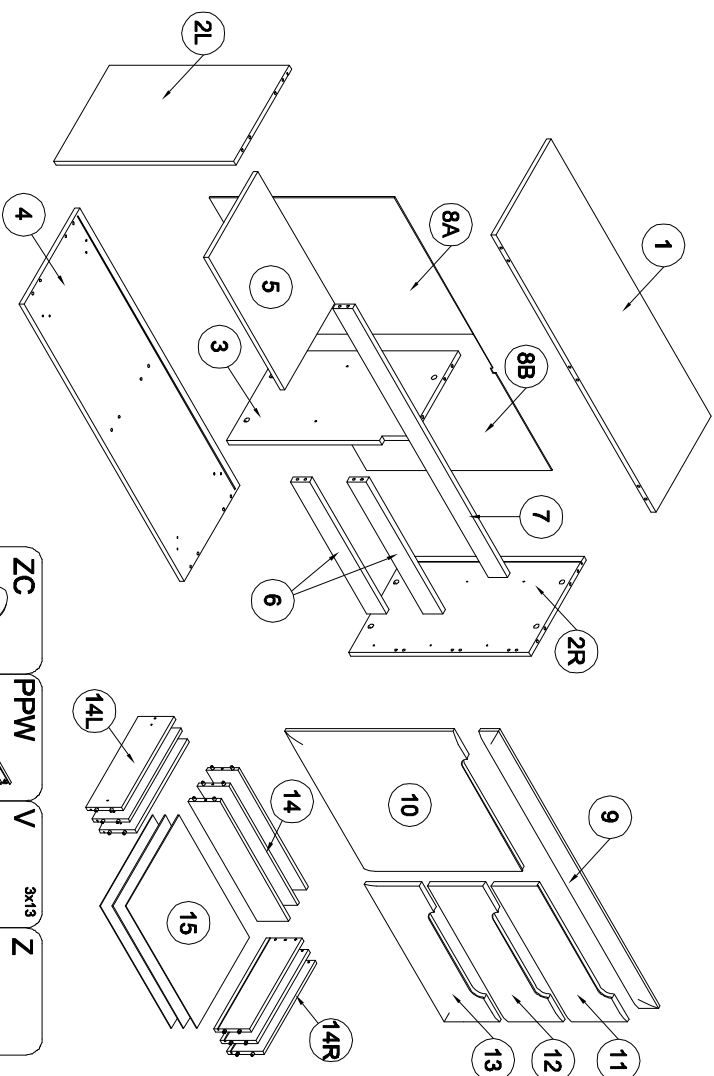
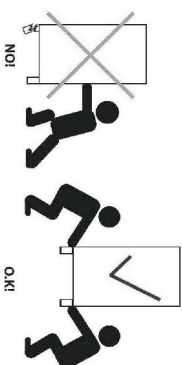
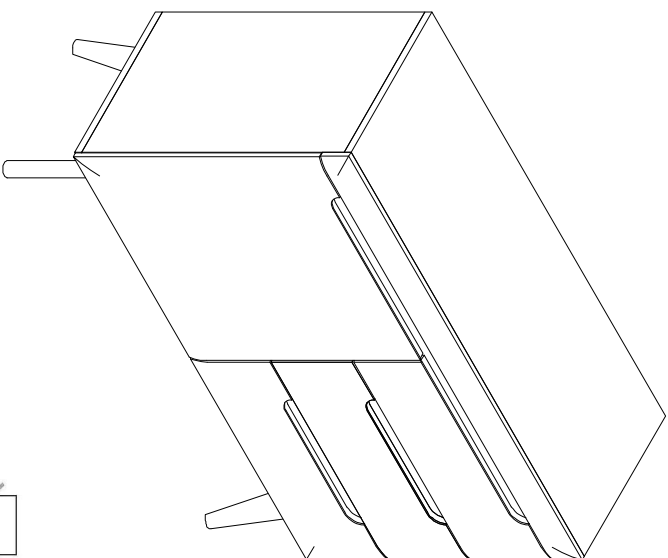
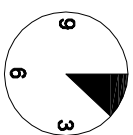
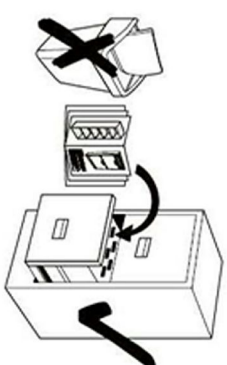
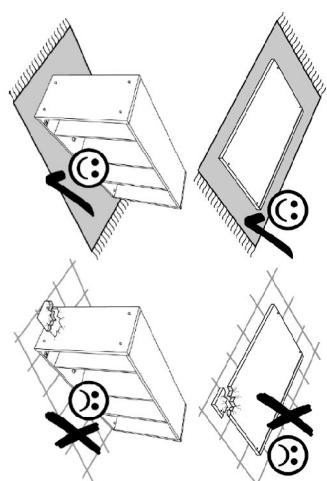


# NKSZ107



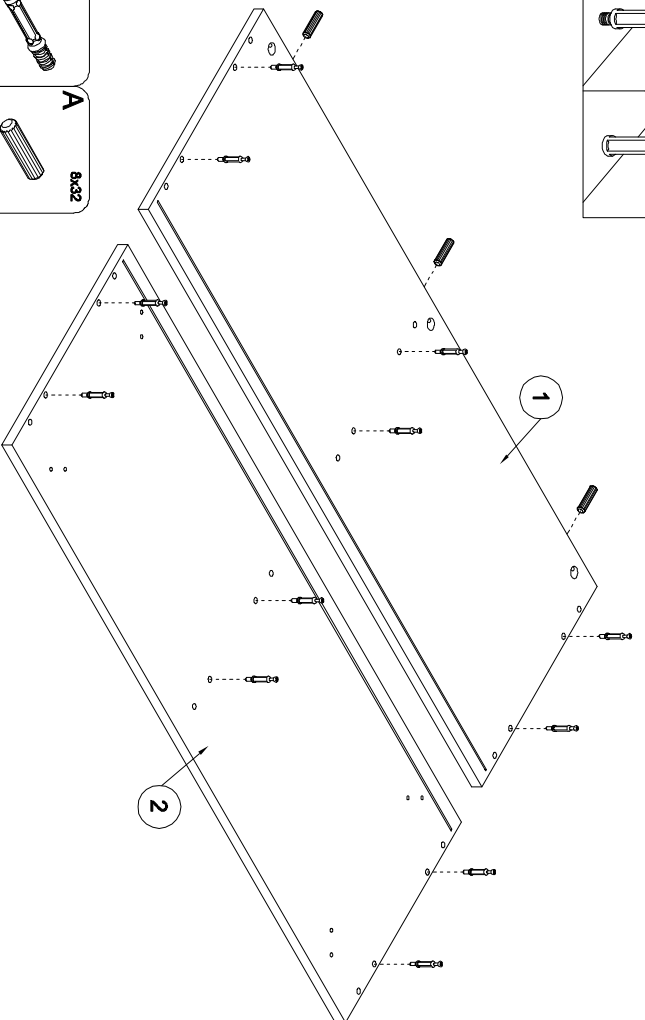
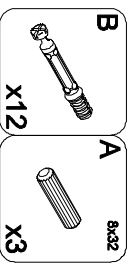
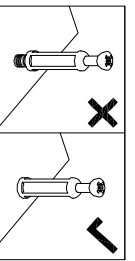
<b>HD</b> X8 	<b>NGD</b> X4 8x32 	<b>N</b> X5 3x20 	<b>X</b> X10 6,3x13 	<b>ZC</b> X5 	<b>PPW</b> X6 	<b>V</b> X18 3x13 	<b>Z</b> X4 
<b>B</b> X15 	<b>A</b> X27 	<b>R</b> X2 	<b>H</b> X4 6,3x13 	<b>NA</b> X1 4x13 	<b>GLUE</b> X1 	<b>TB</b> X1 	<b>TA</b> X1 
<b>PC</b> X2 	<b>ND</b> X16 3,5x16 	<b>C</b> X15 	<b>Z</b> X15 	<b>PPW</b> X6 	<b>GLUE</b> X1 	<b>TB</b> X1 	<b>TA</b> X1 



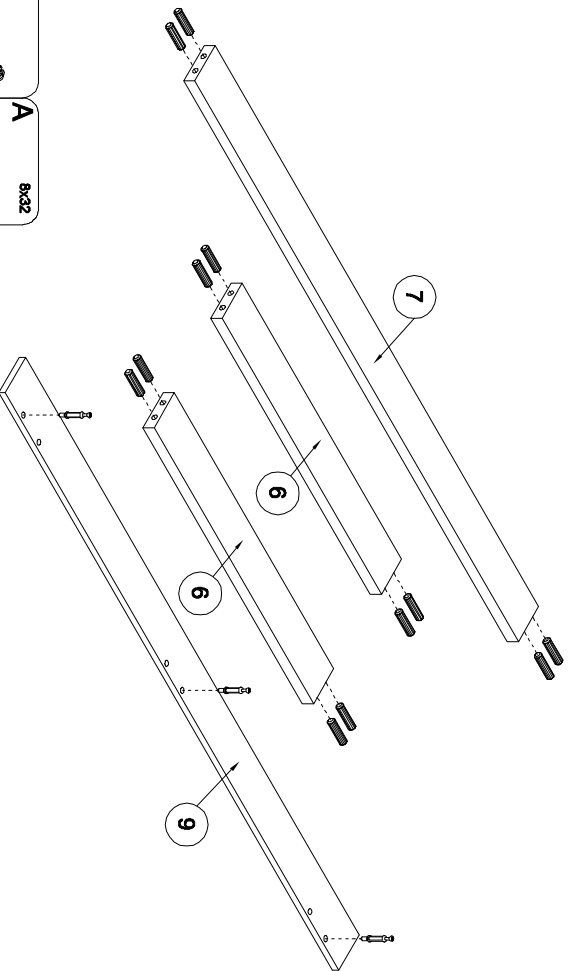
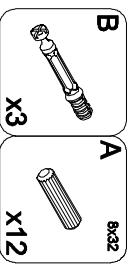
20 min.

1

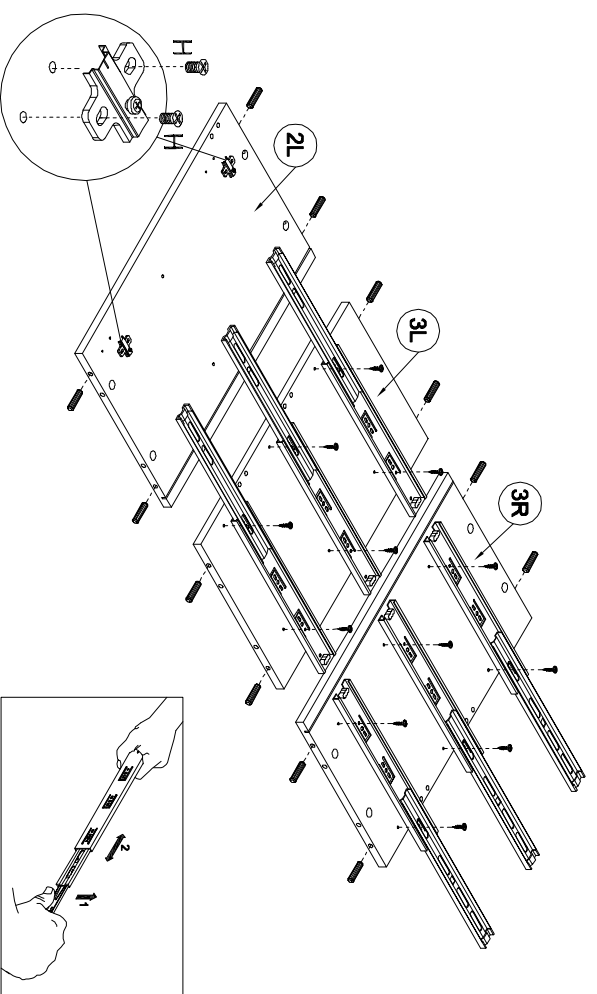
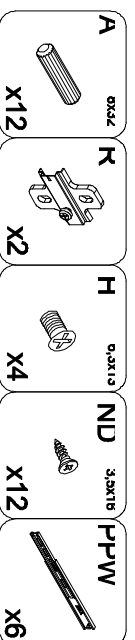
2



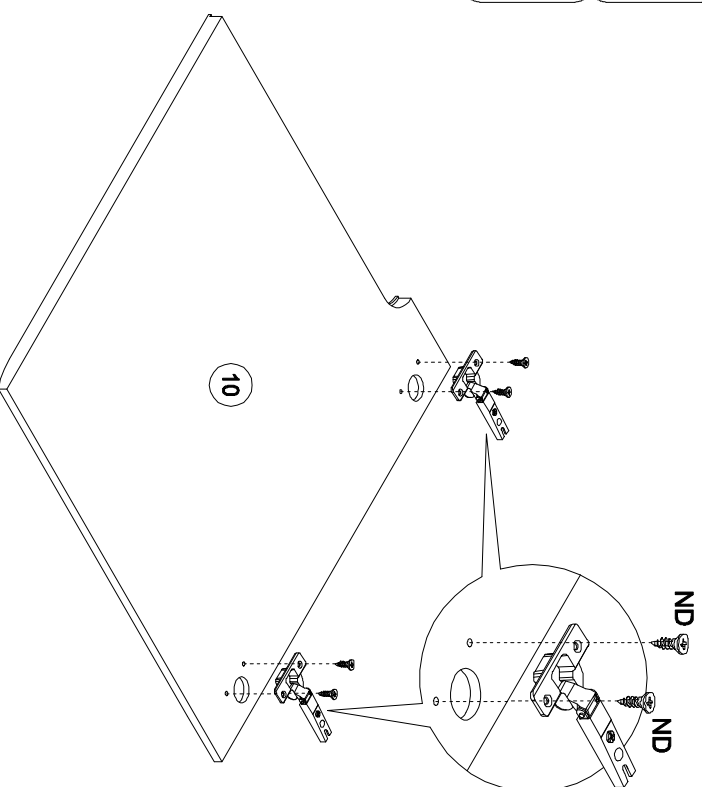
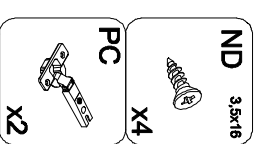
**3**



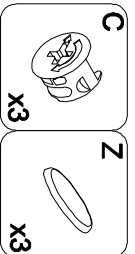
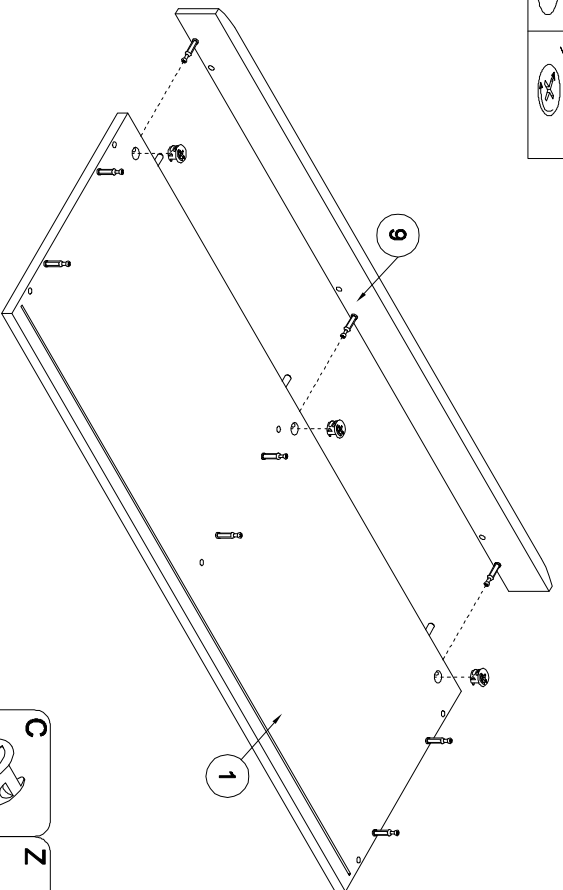
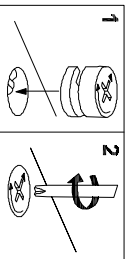
**4**



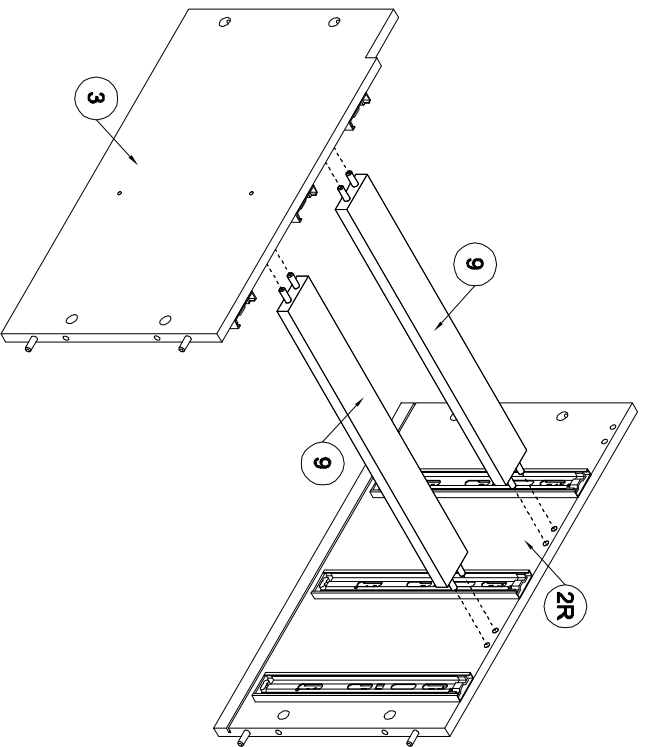
**5**



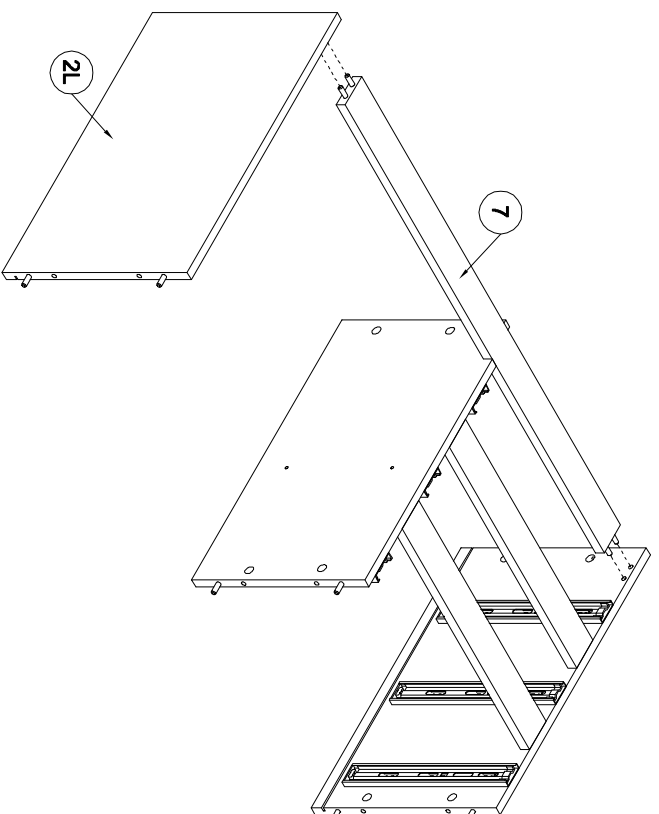
**6**



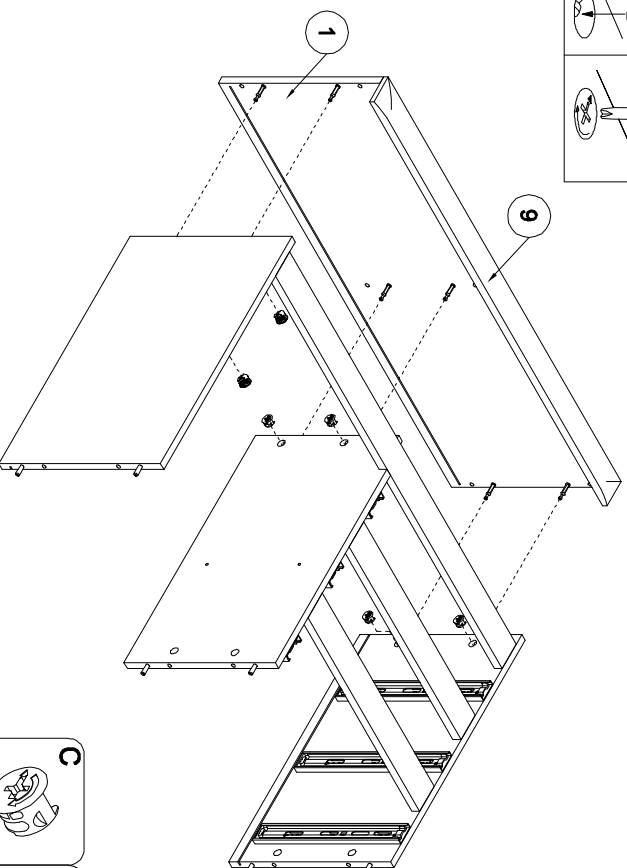
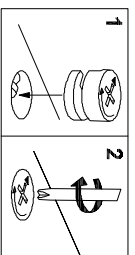
7



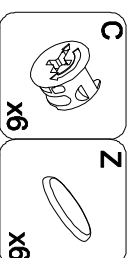
8

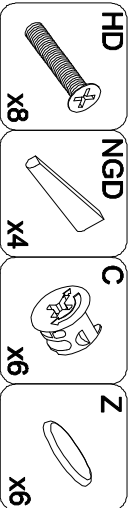
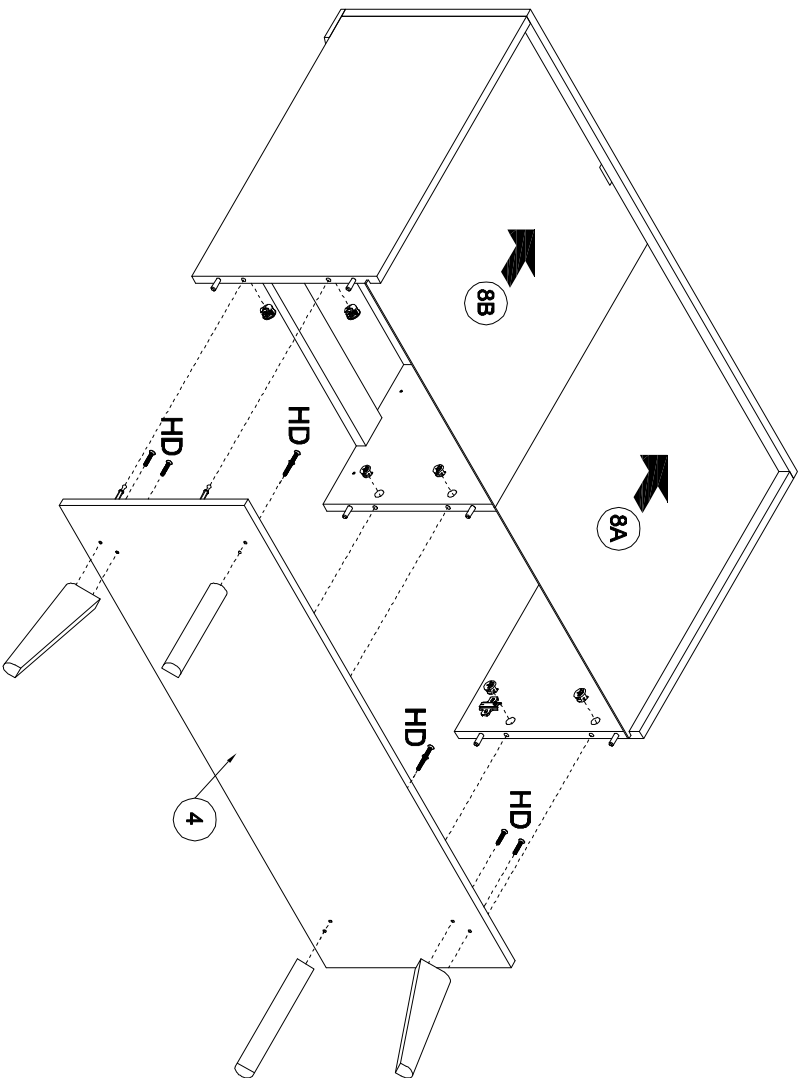
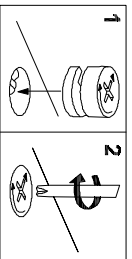


9

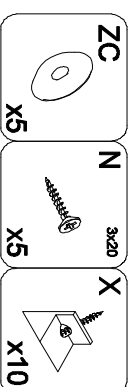
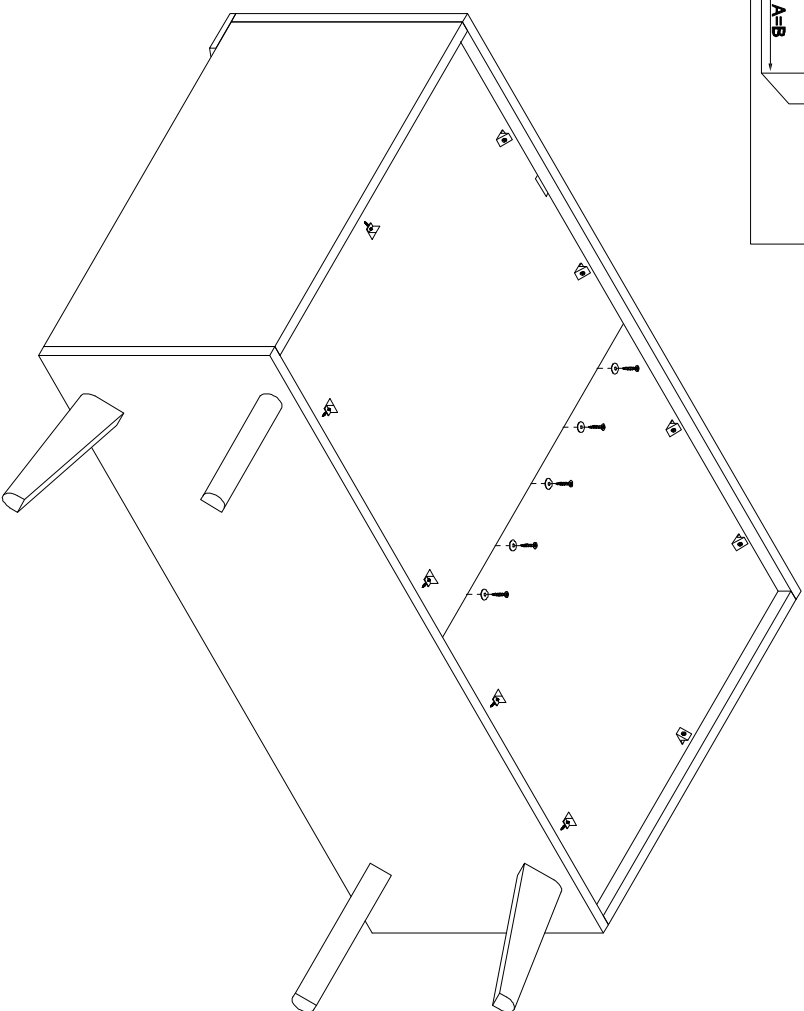
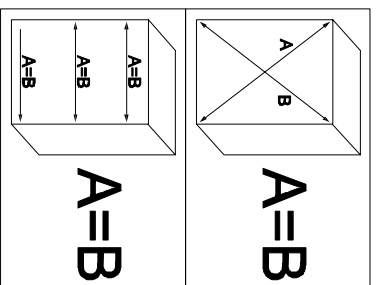


10



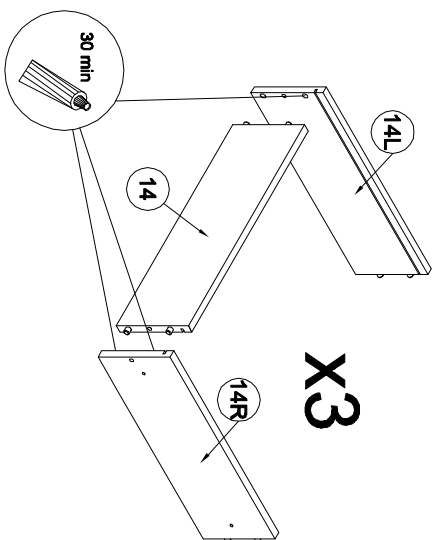


11

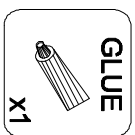


12

13

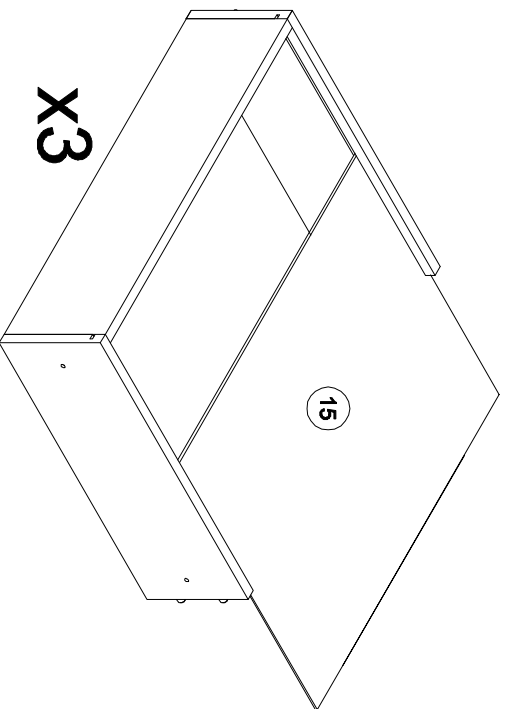


X3

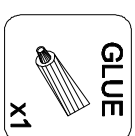
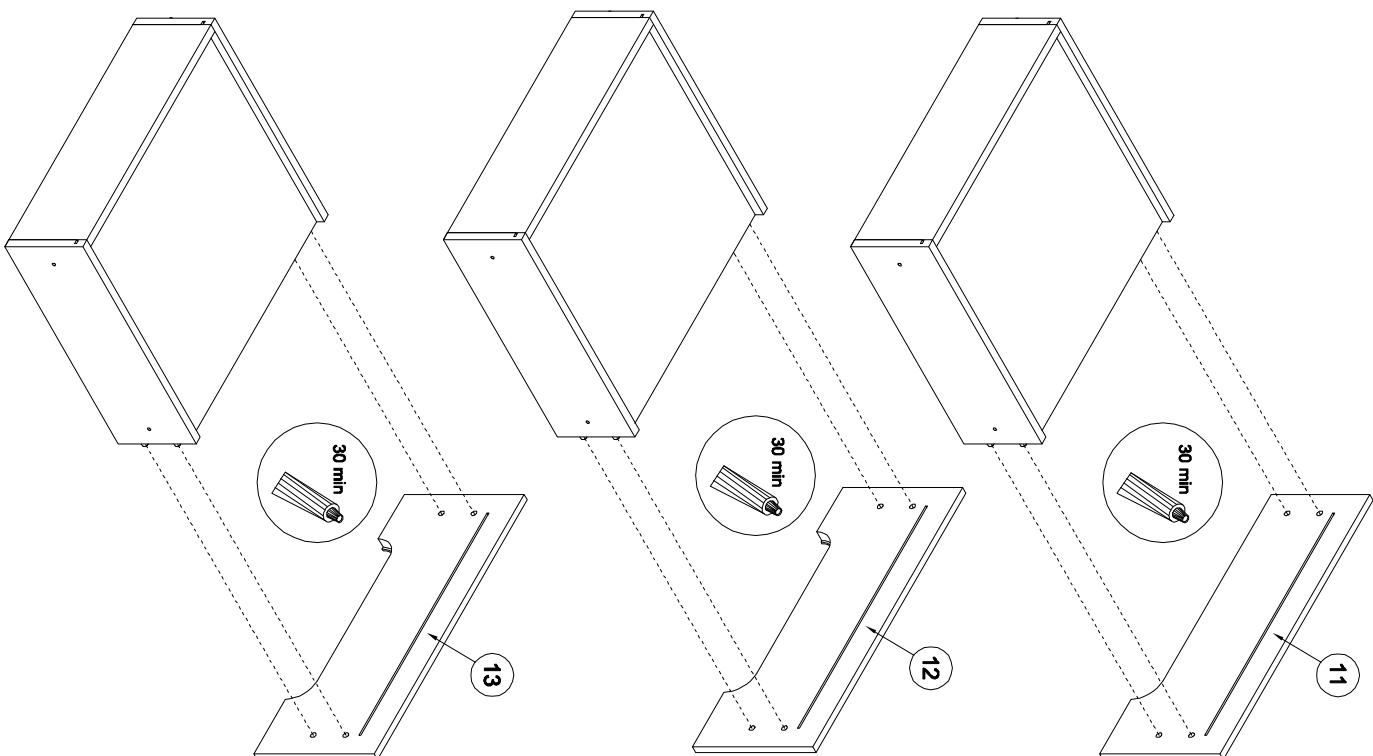


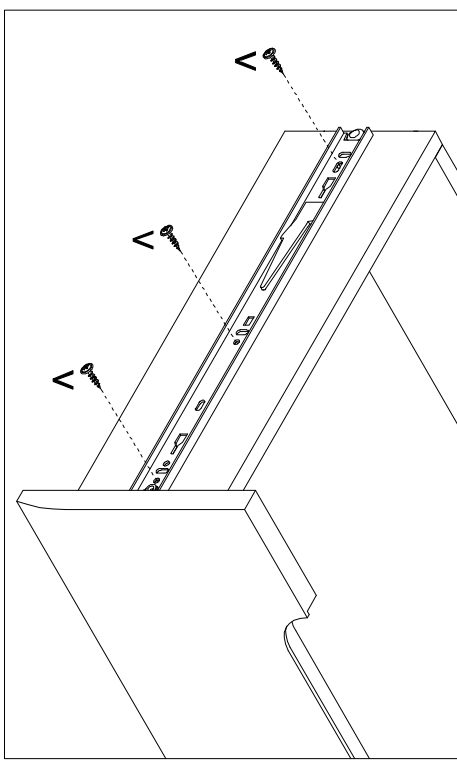
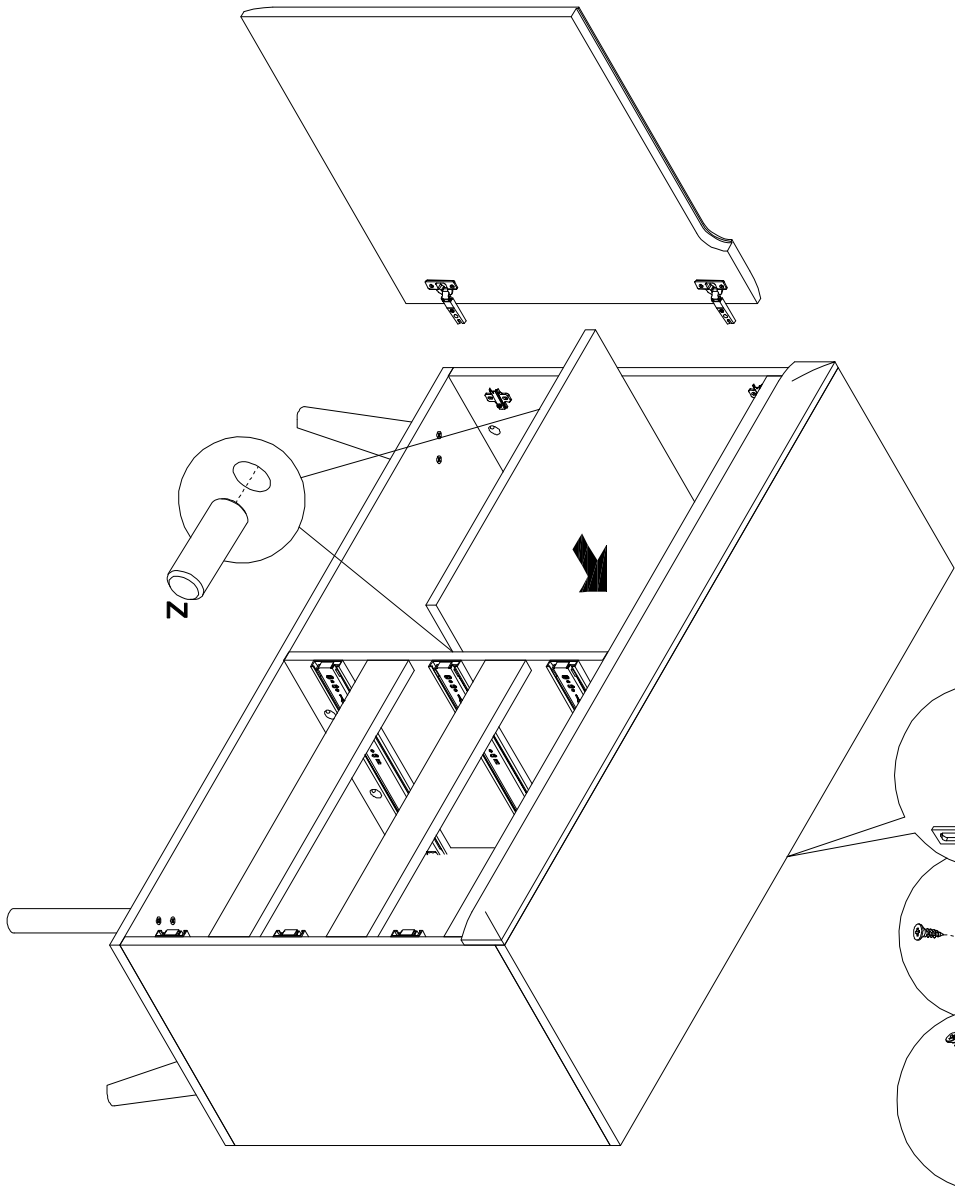
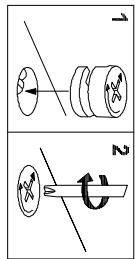
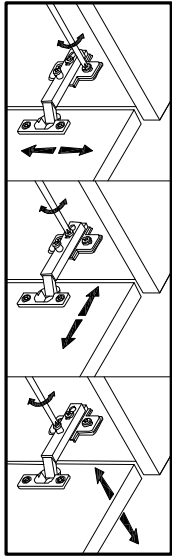
14

15



X3





- TB X1
- TA X1
- NA 4x13 X1
- Z X4
- V 3x13 X18

