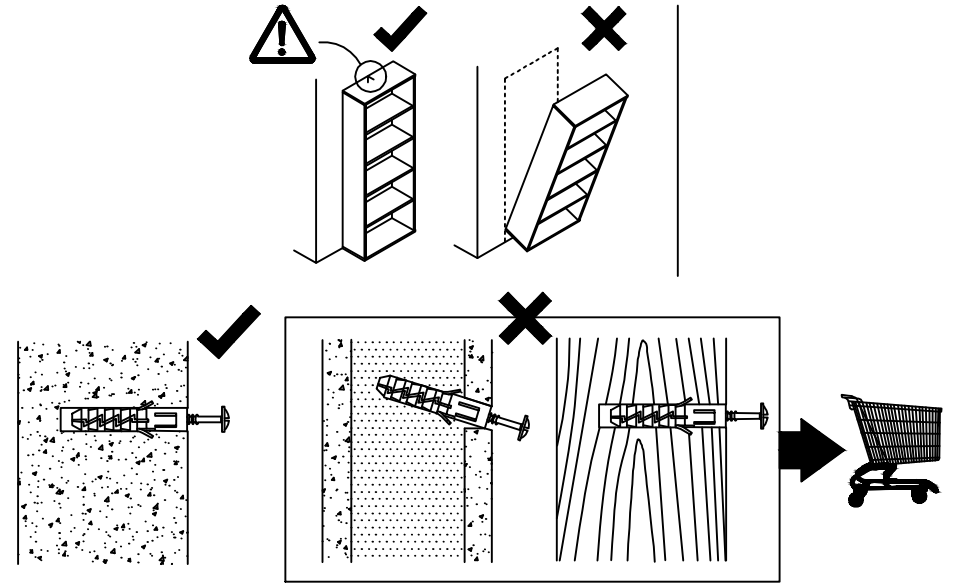
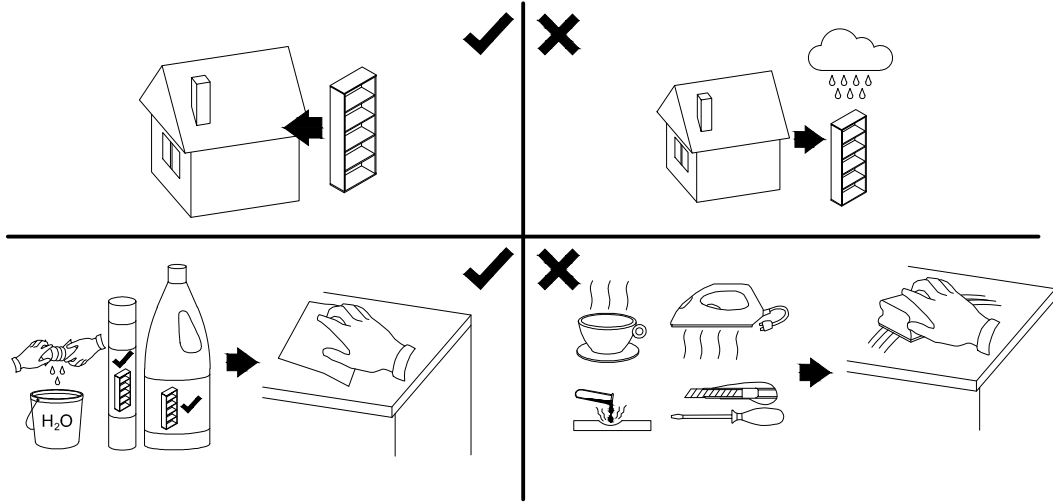
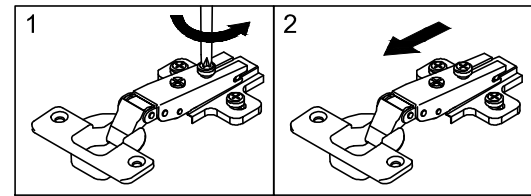
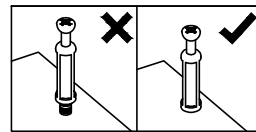
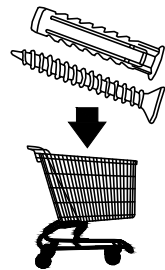


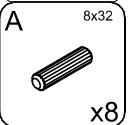
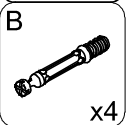
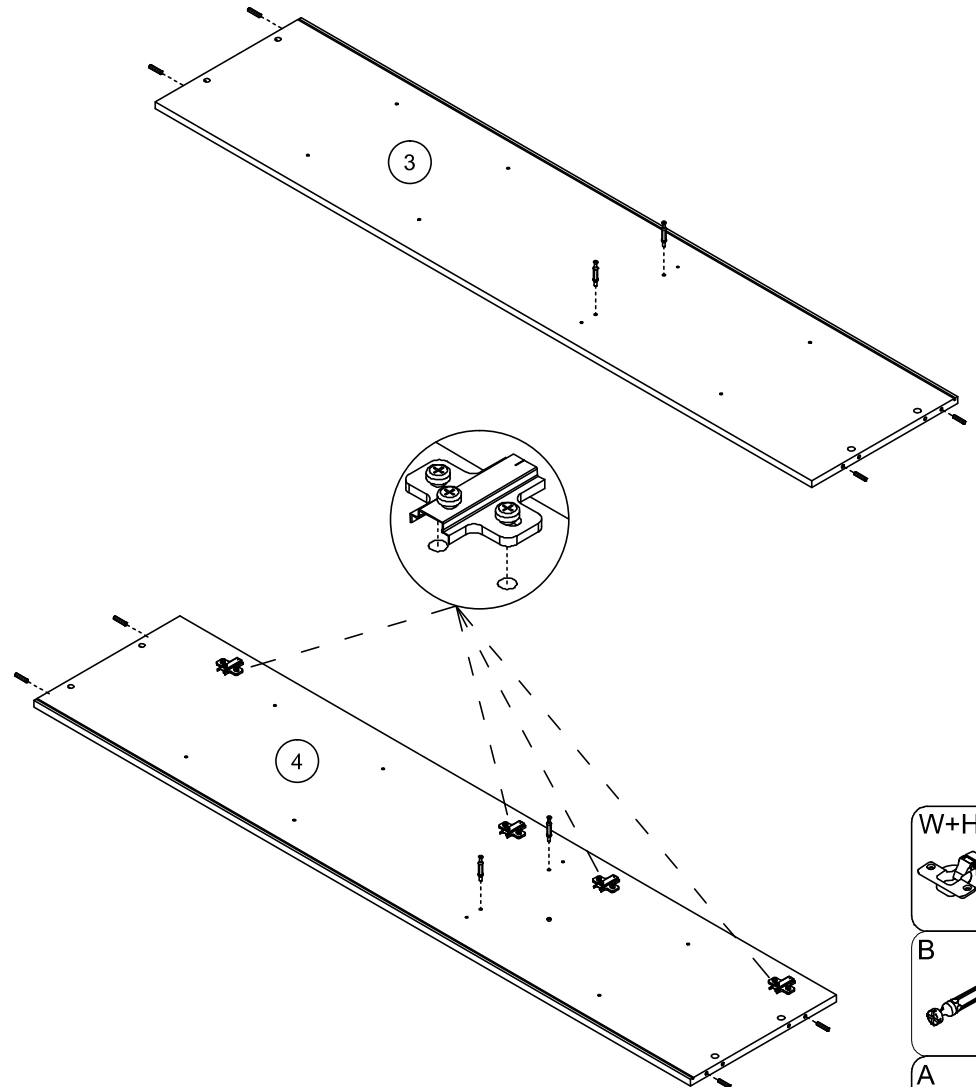
N	3x20	W+H2	ZA	C	Z	ND	3,5x16	X
	x4	x4	x1	x12	x12	x14		x14
B	A	TA	ZZ	KS	R3	ZE	NS	
x12	x12	x1	x8	x4	x2	x4	x4	

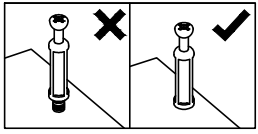


①	534	390	16	x1	2 / 2
②	534	390	16	x1	2 / 2
③	1754	390	16	x1	2 / 2
④	1754	390	16	x1	2 / 2
⑤	502	350	16	x2	2 / 2
⑥	502	357	16	x1	2 / 2
⑦	501	345	4	x1	2 / 2
⑧	1766	514	3	x1	2 / 2
⑨	165	496	16	x1	2 / 2
⑩	667	496	4	x1	2 / 2
⑪	669	496	16	x1	2 / 2
⑫	324	496	16	x1	2 / 2

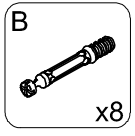
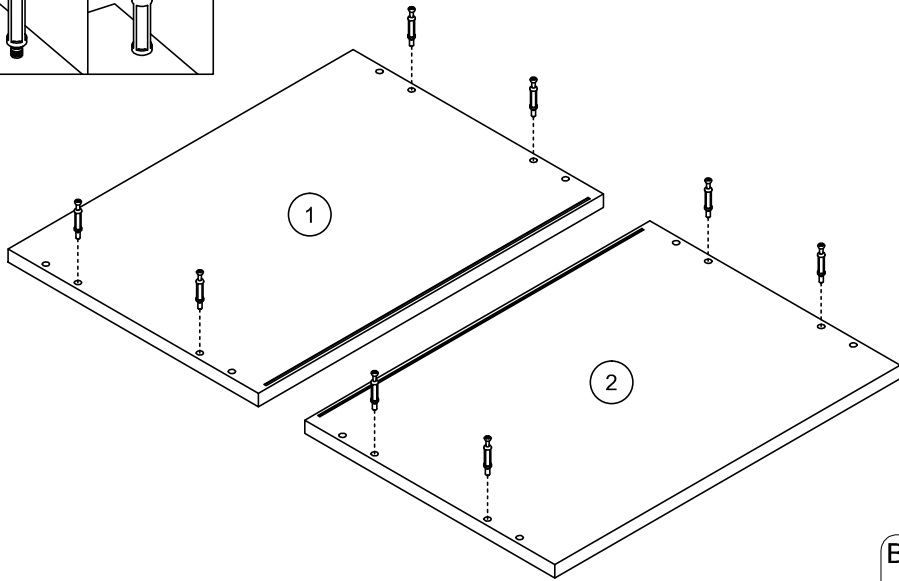


1

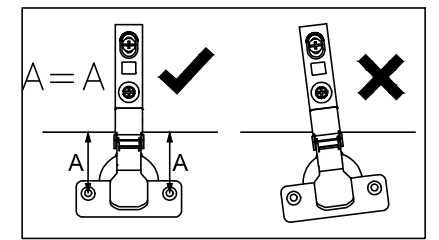
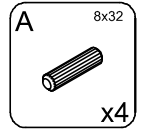
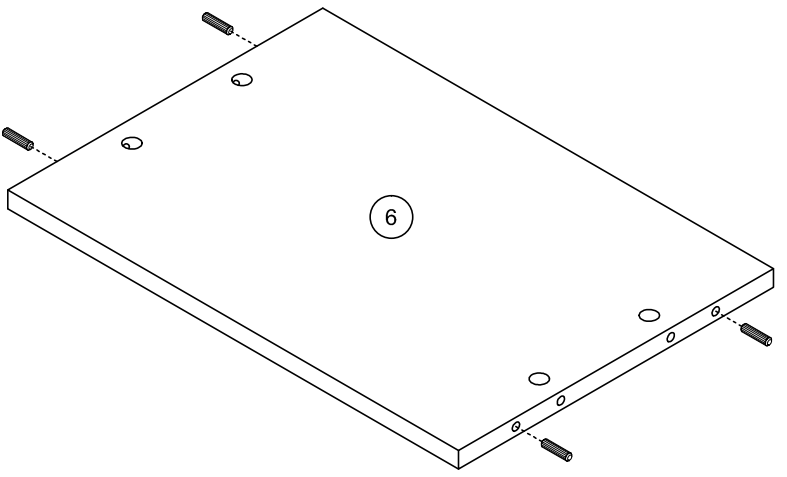




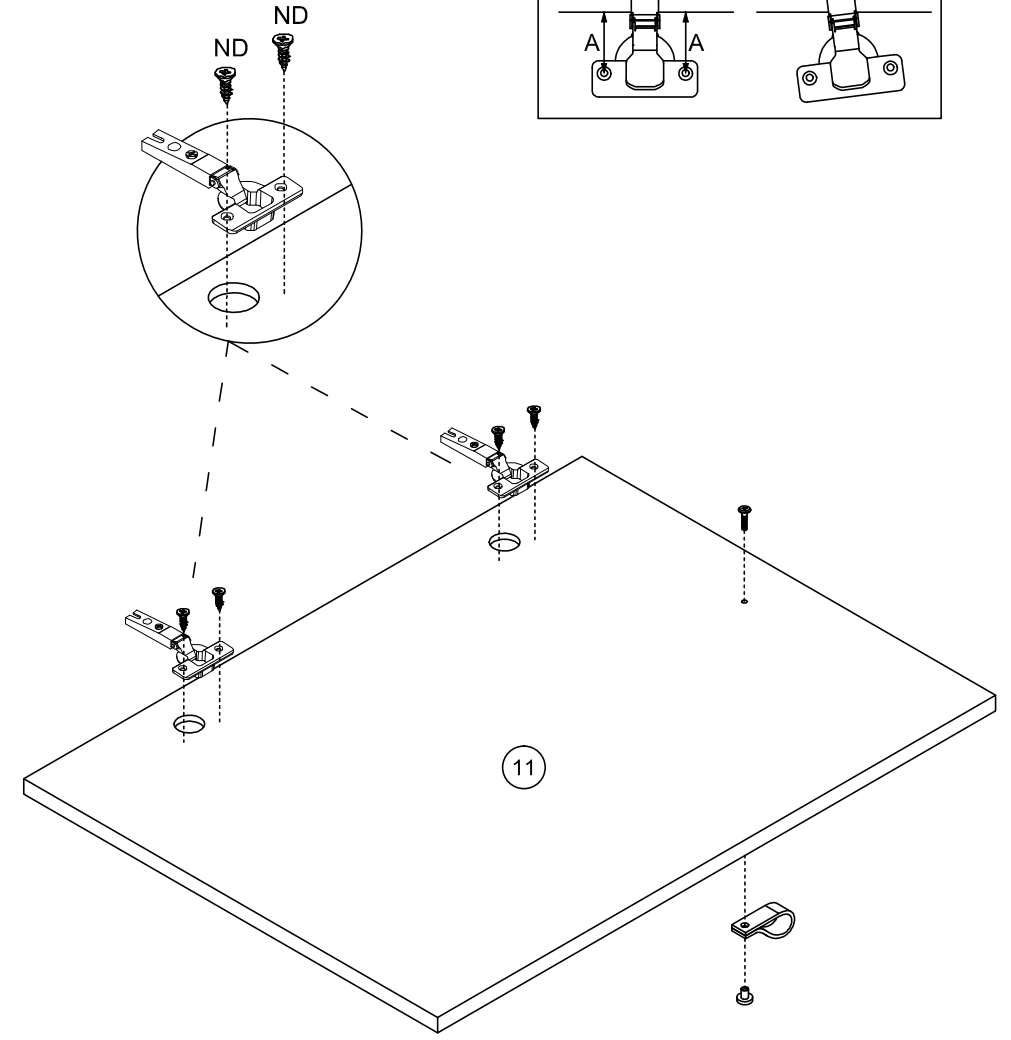
2

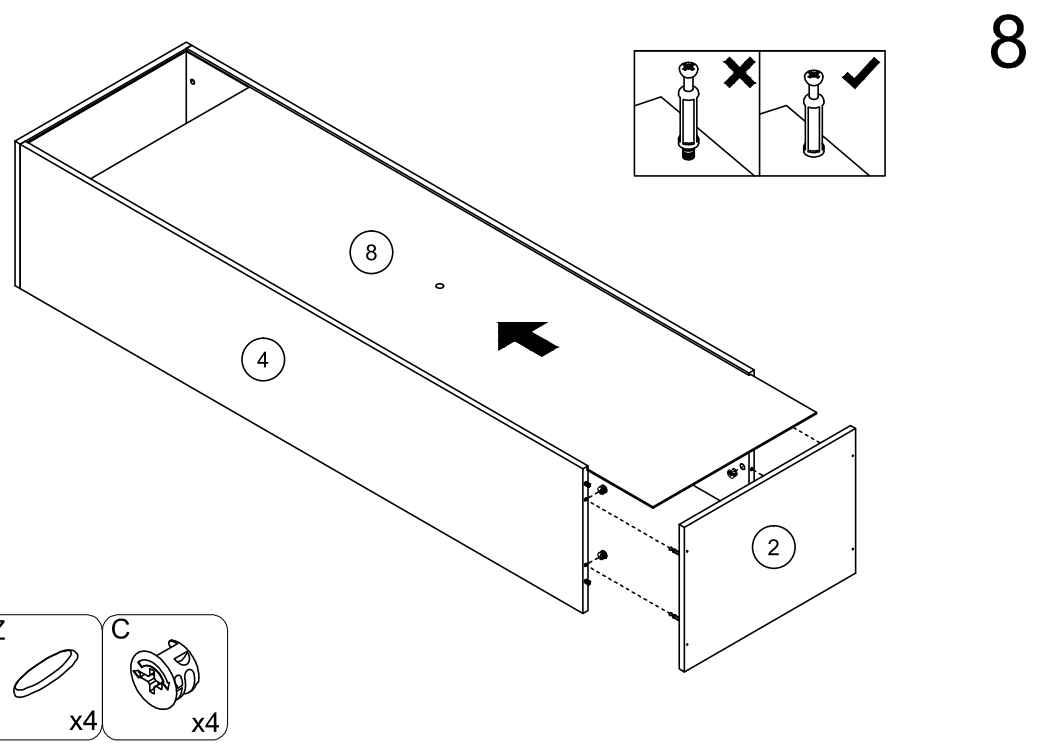
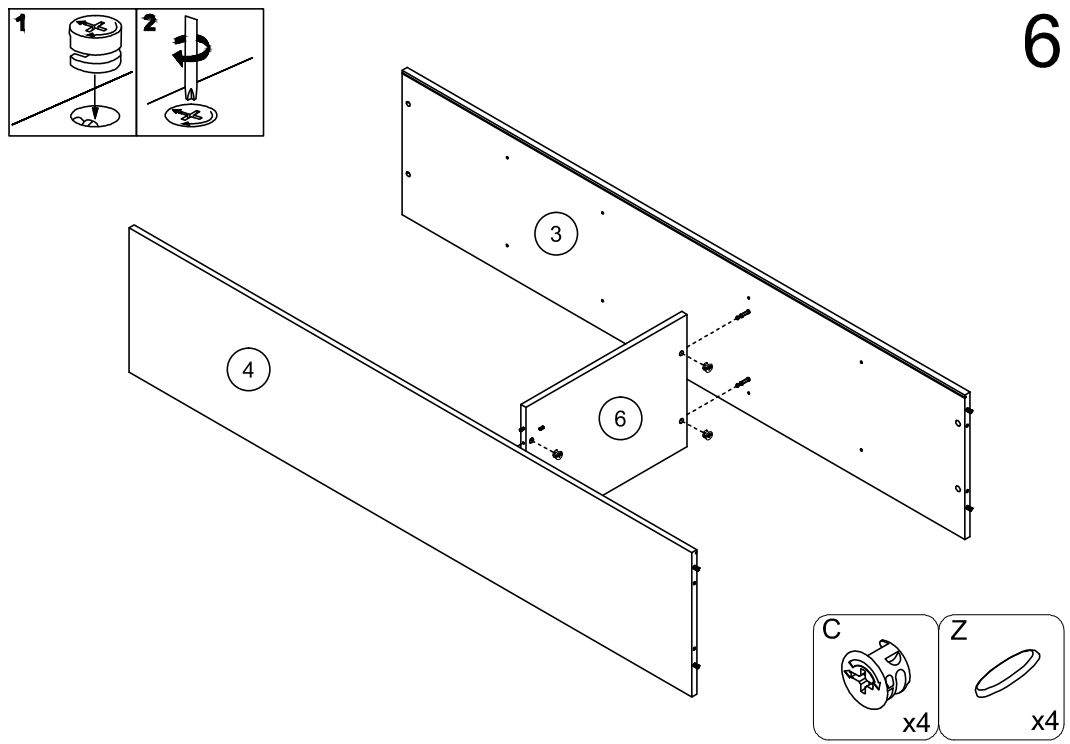
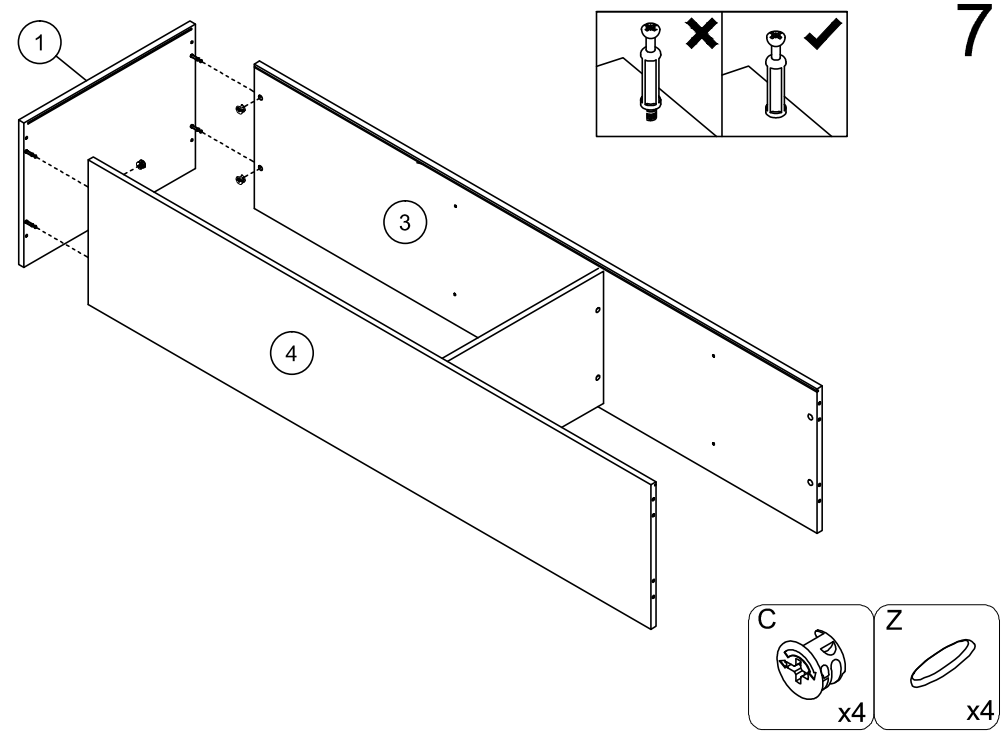
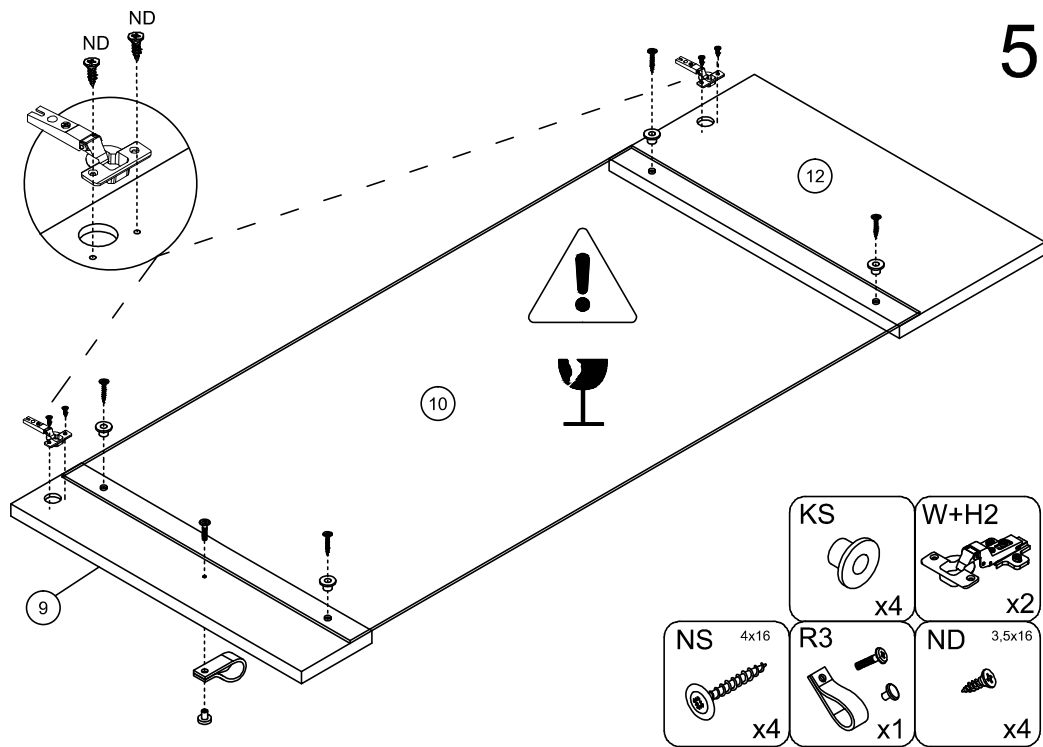


3

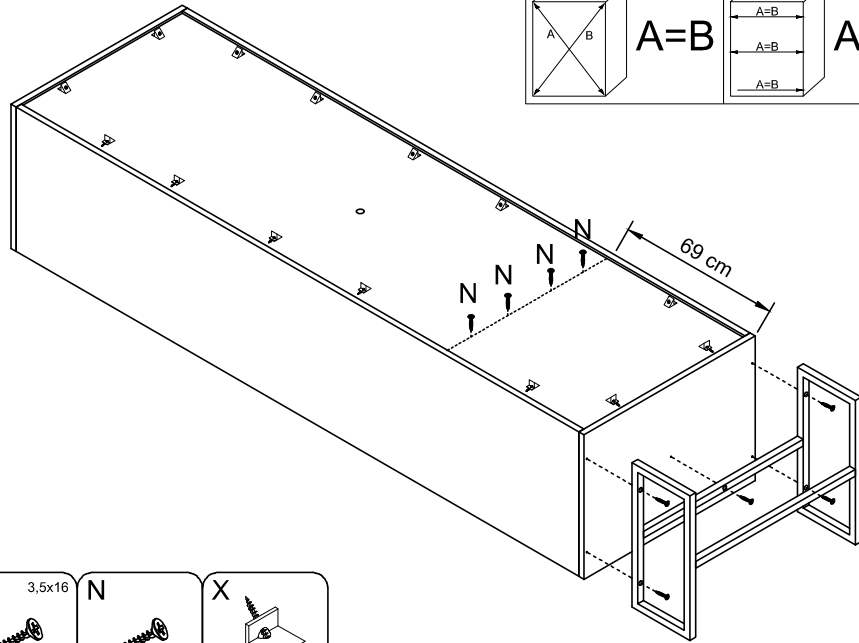
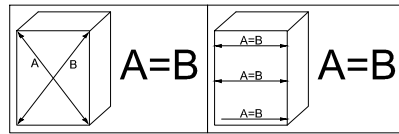


4

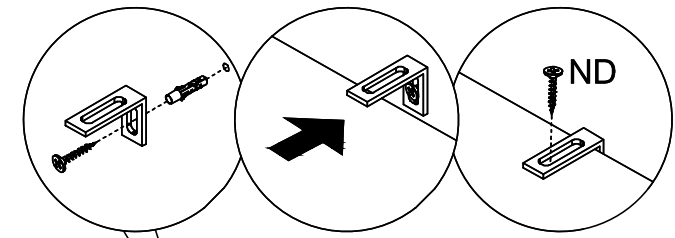
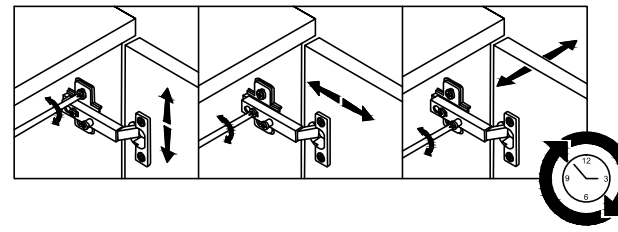




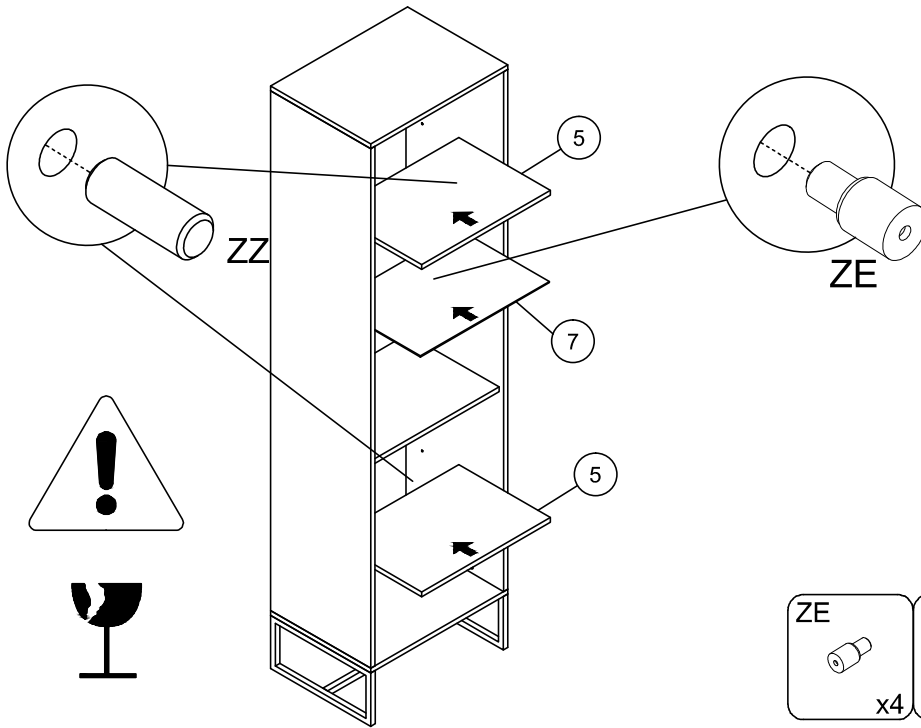
9



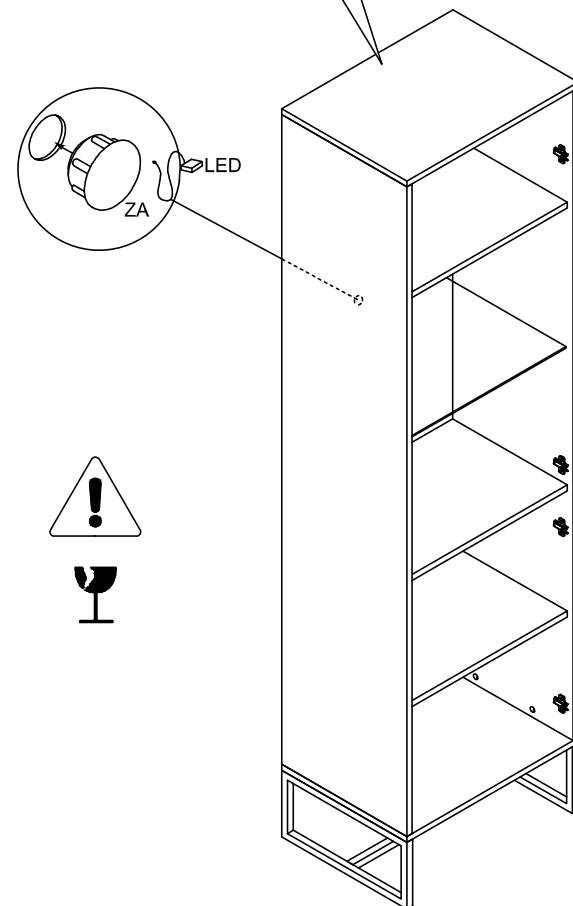
- ND 3,5x16 x5
- N x4
- X x14



10



- ZE x4
- ZZ x8



- ZA x1
- TA x1
- ND 3,5x16 x1