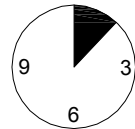
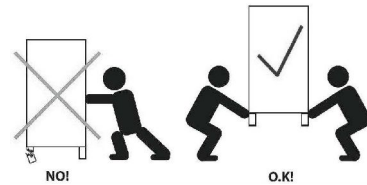
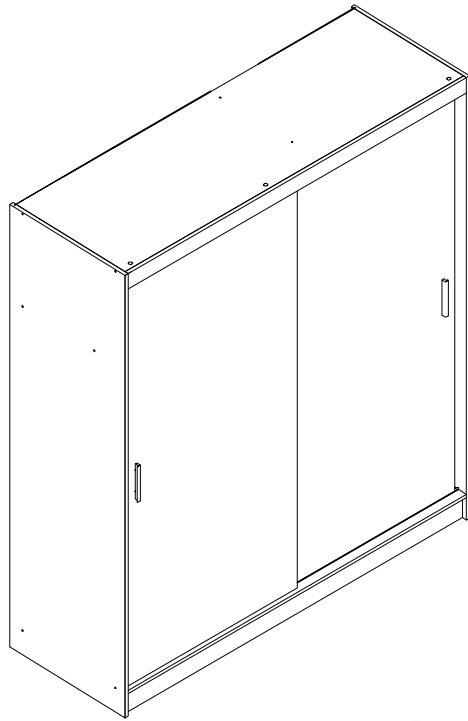
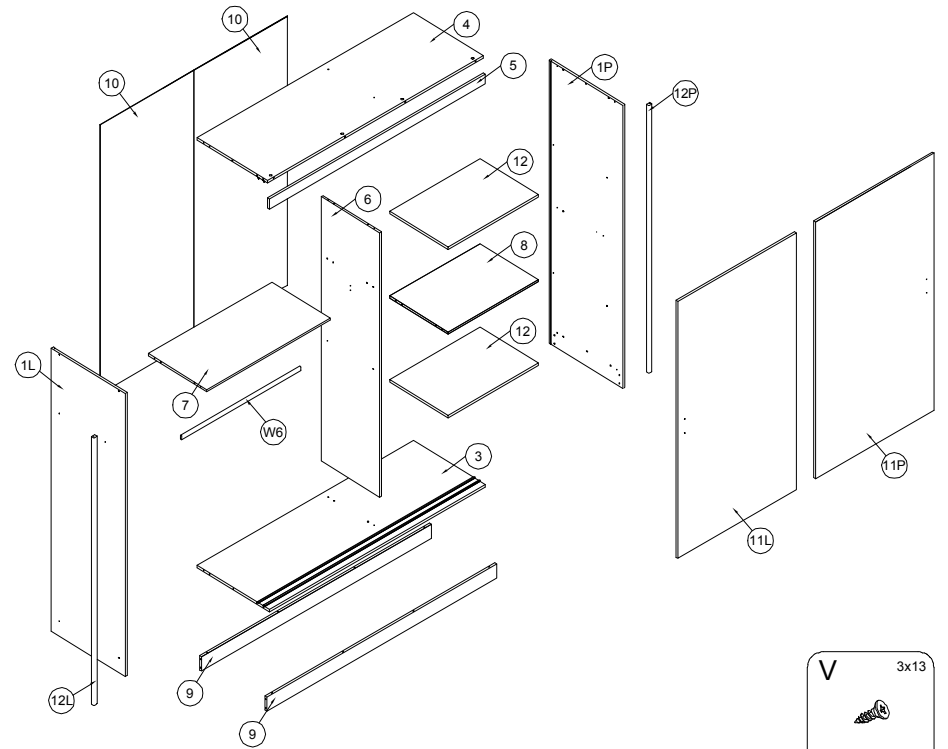


180

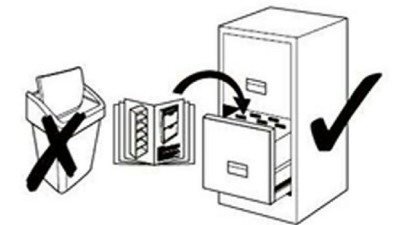
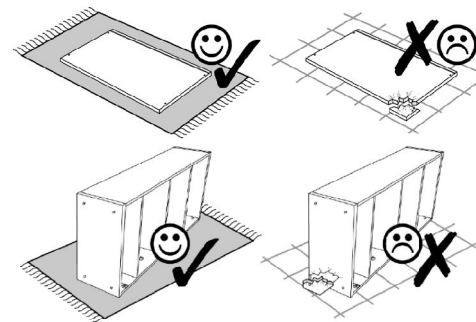


2-2,5

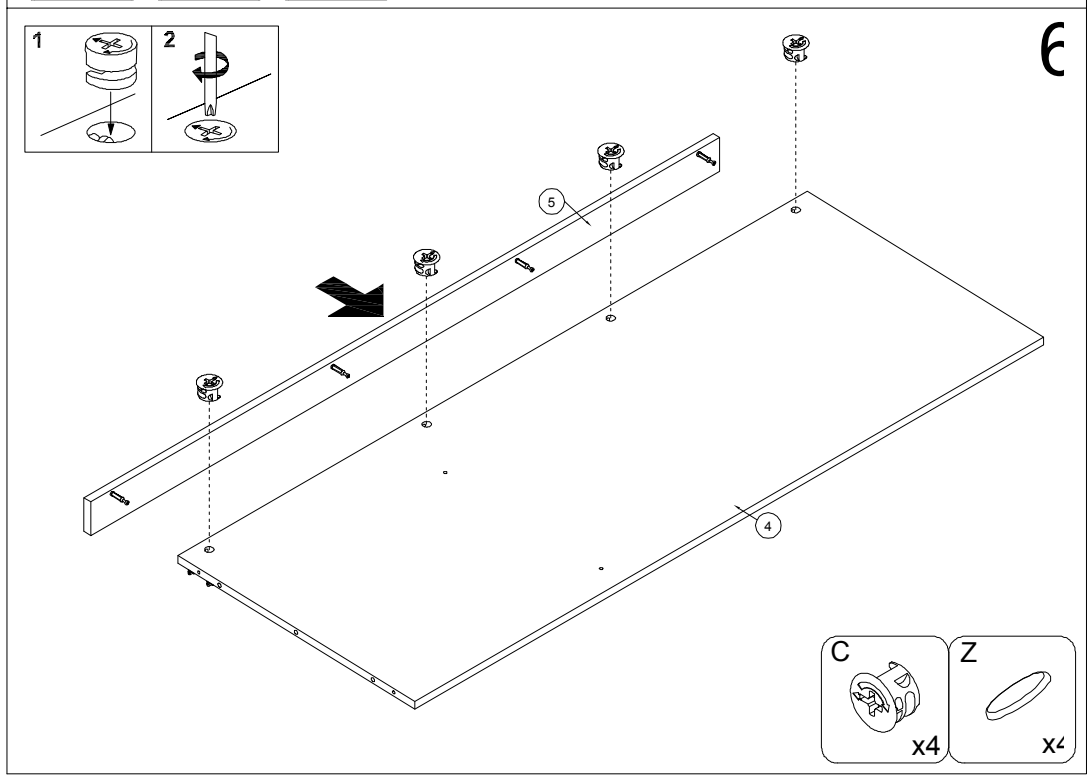
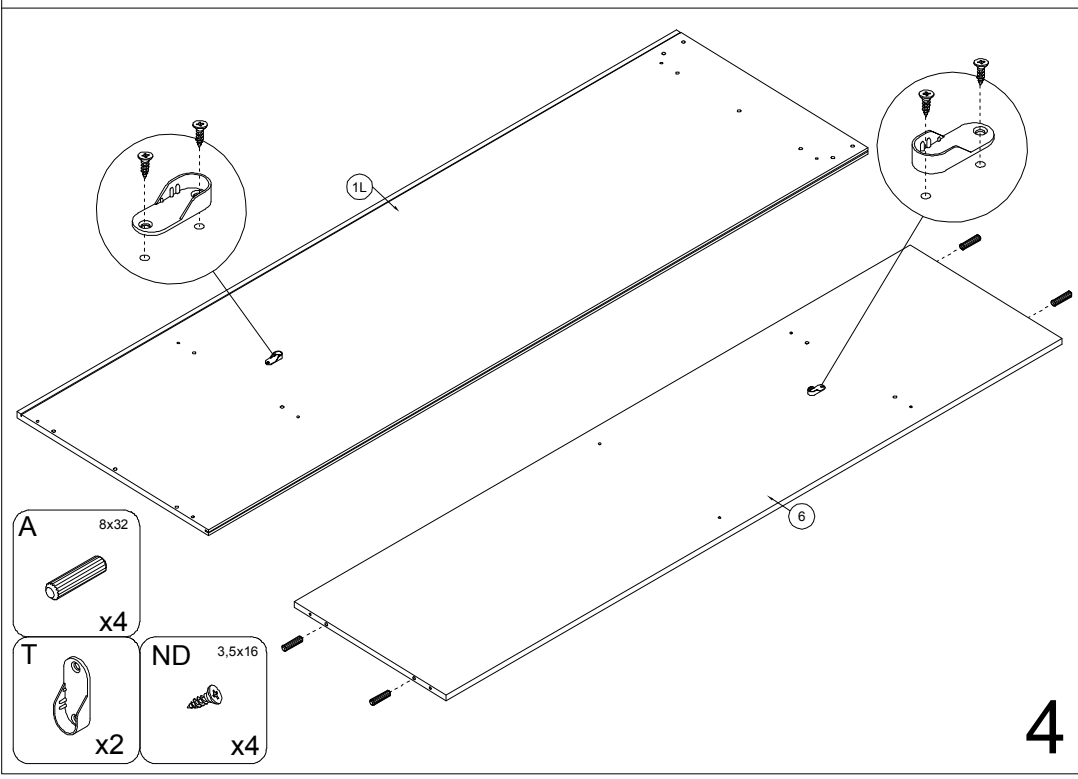
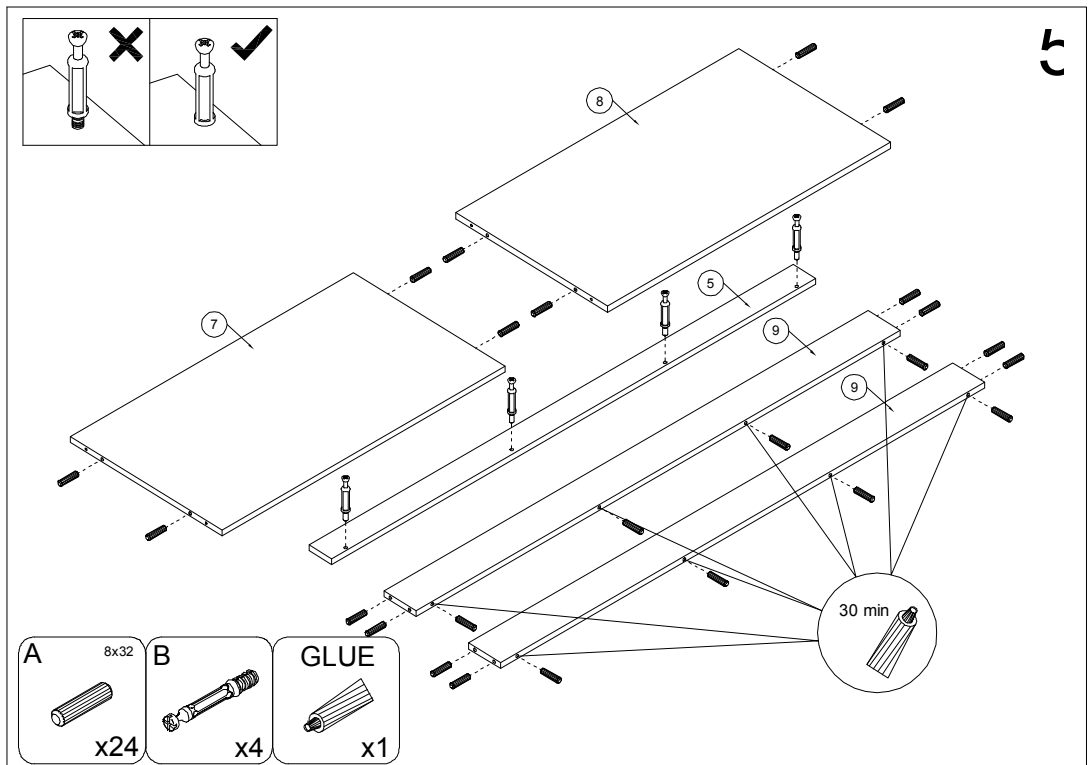
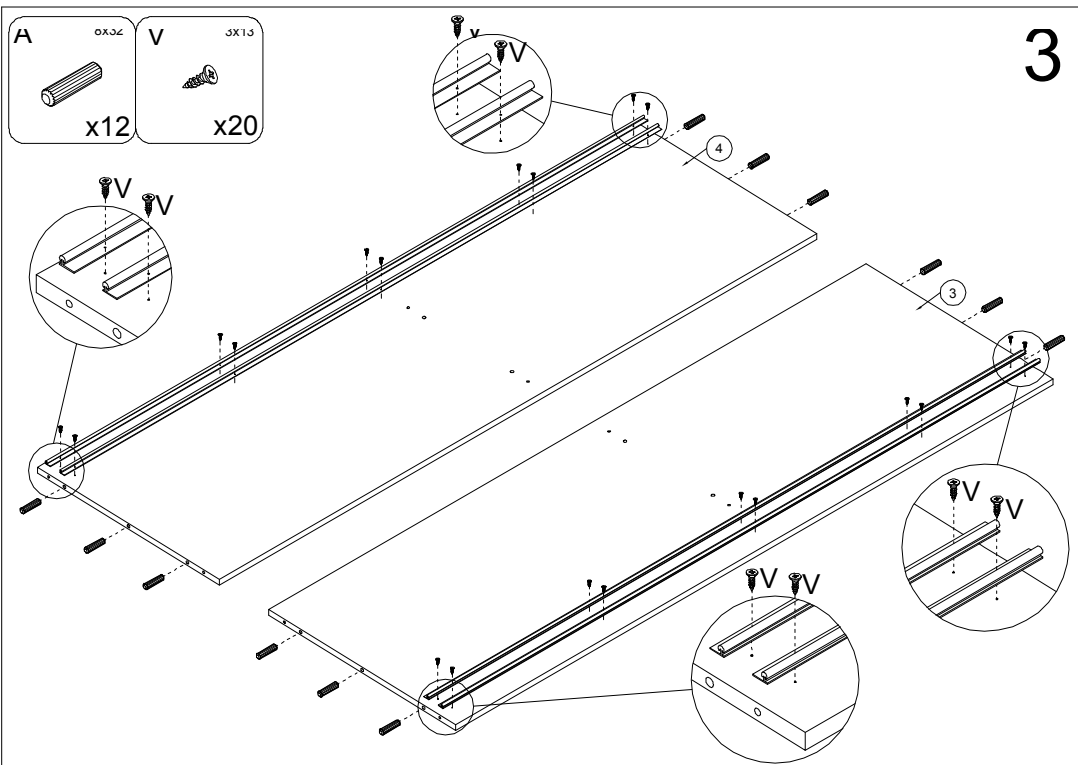
1

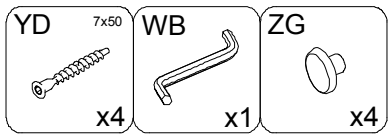
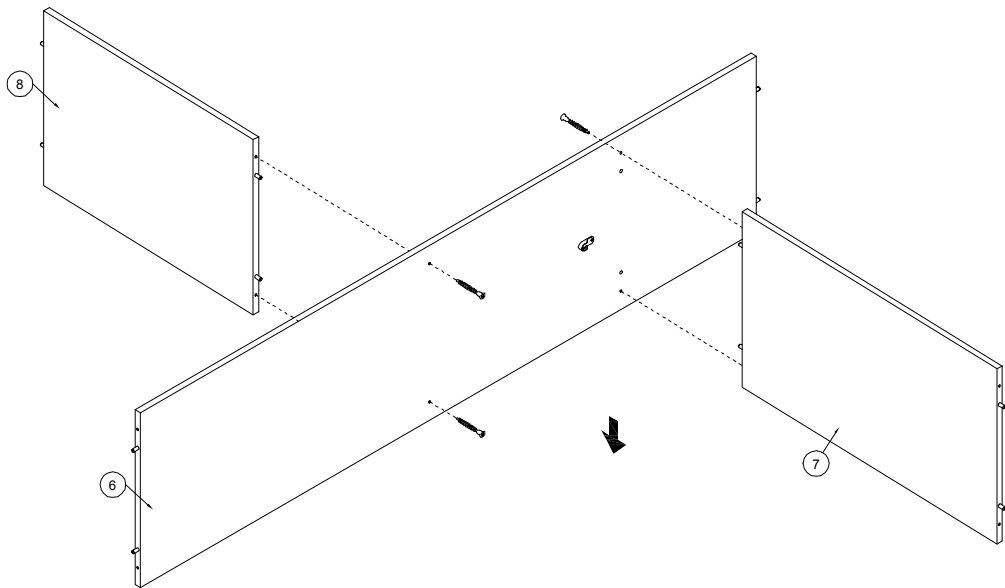


<p>ŠP x12</p>	<p>H 6,3x13 x16</p>	<p>W x2</p>	<p>YA 4x35 x4</p>	<p>L5 x1</p>	<p>D x4</p>	<p>DB L-1850mm x2</p>	<p>LM x10</p>
<p>W6 L-869mm x1</p>	<p>ZB x8</p>	<p>X x8</p>	<p>ZC x13</p>	<p>DA x4</p>	<p>N 3x20 x53</p>	<p>YD 7x50 x20</p>	<p>WB x1</p>
<p>A 8x32 x40</p>	<p>T x2</p>	<p>ND 3,5x16 x16</p>	<p>B x4</p>	<p>C x2</p>	<p>Z x4</p>	<p>ZG x20</p>	<p>V 3x13 x20</p>

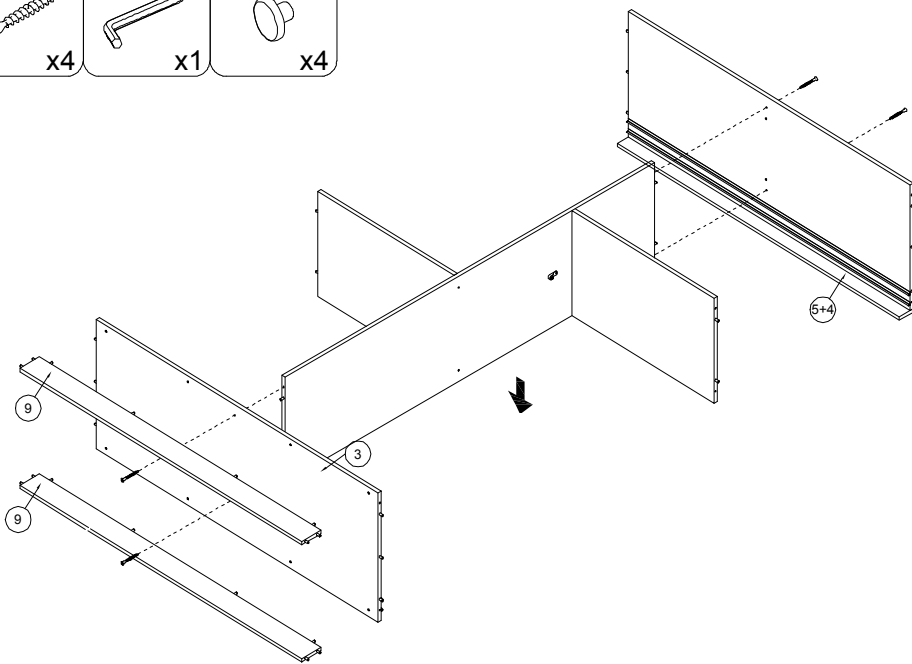
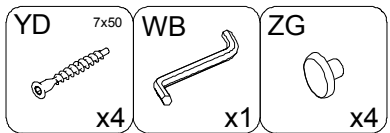


2

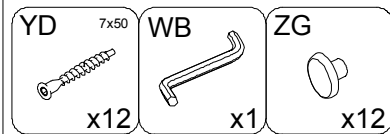
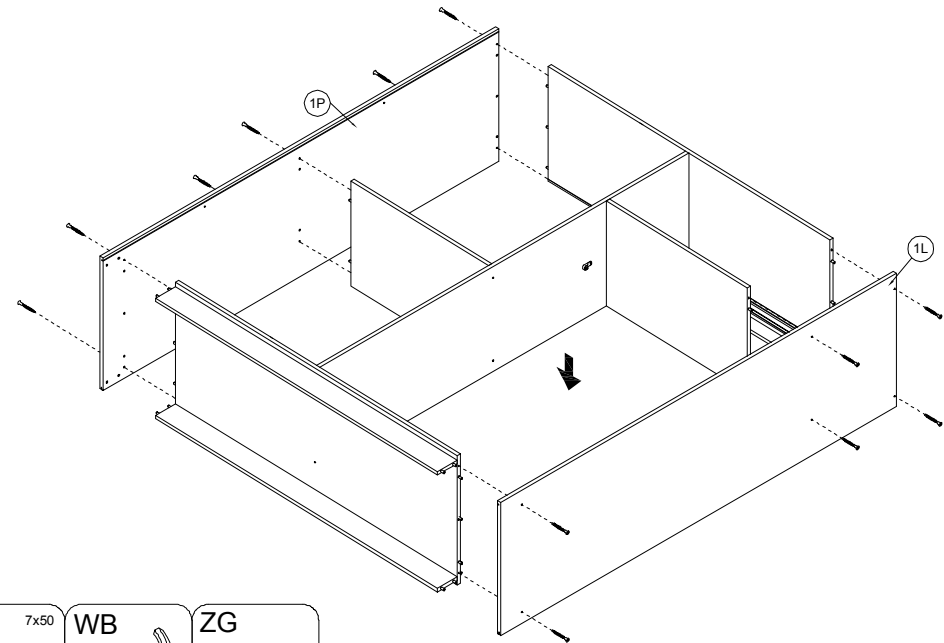




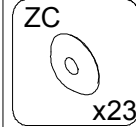
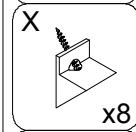
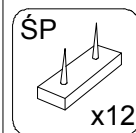
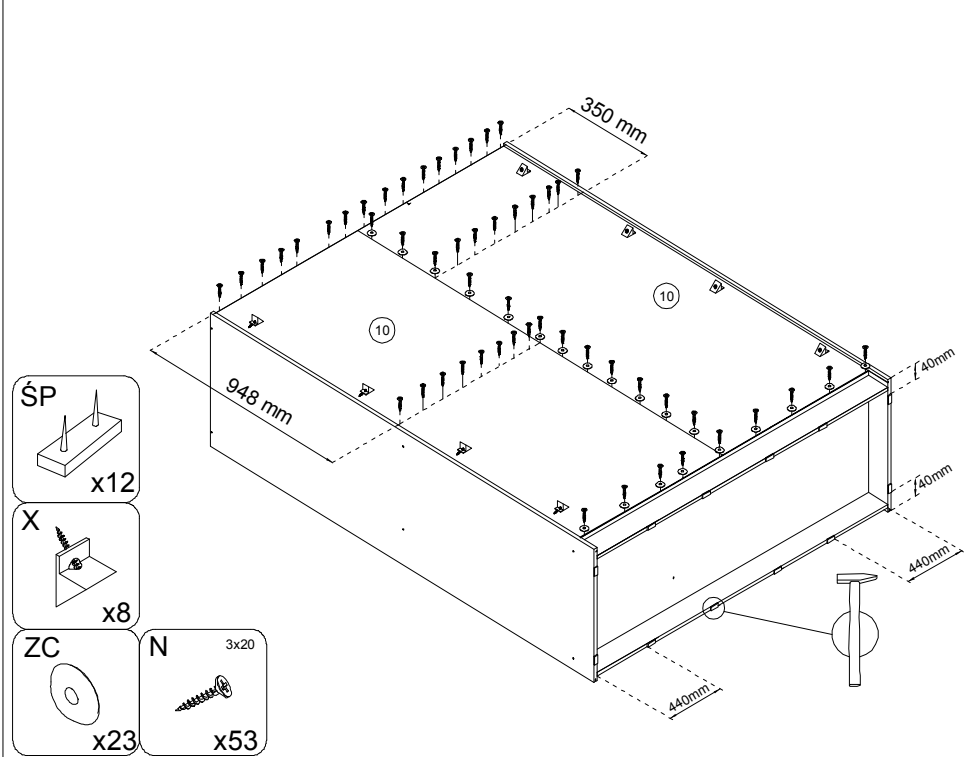
7



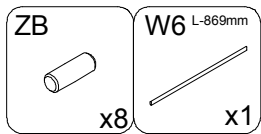
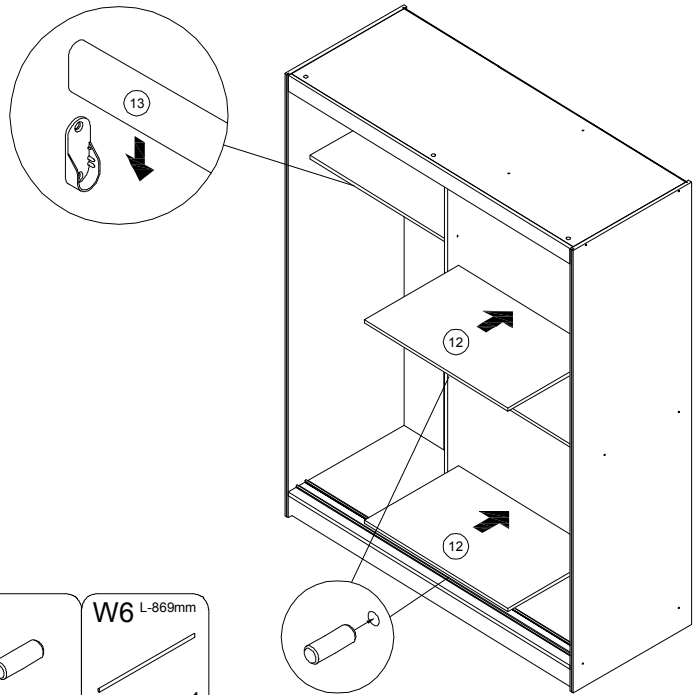
8



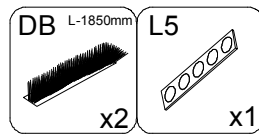
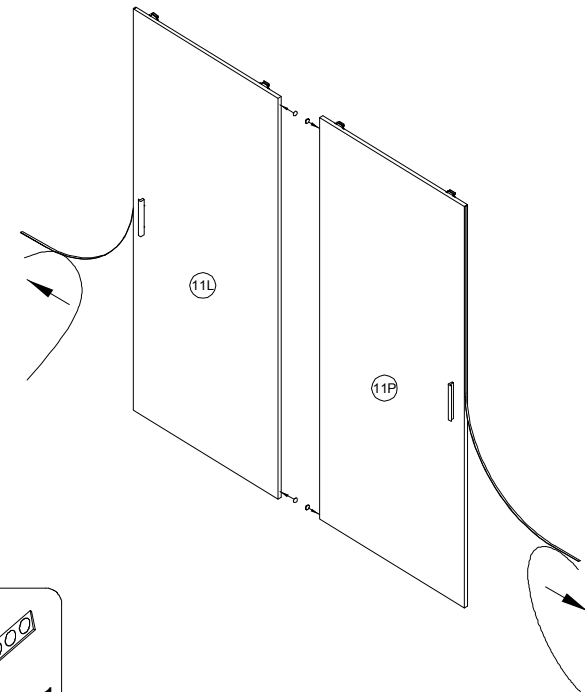
9



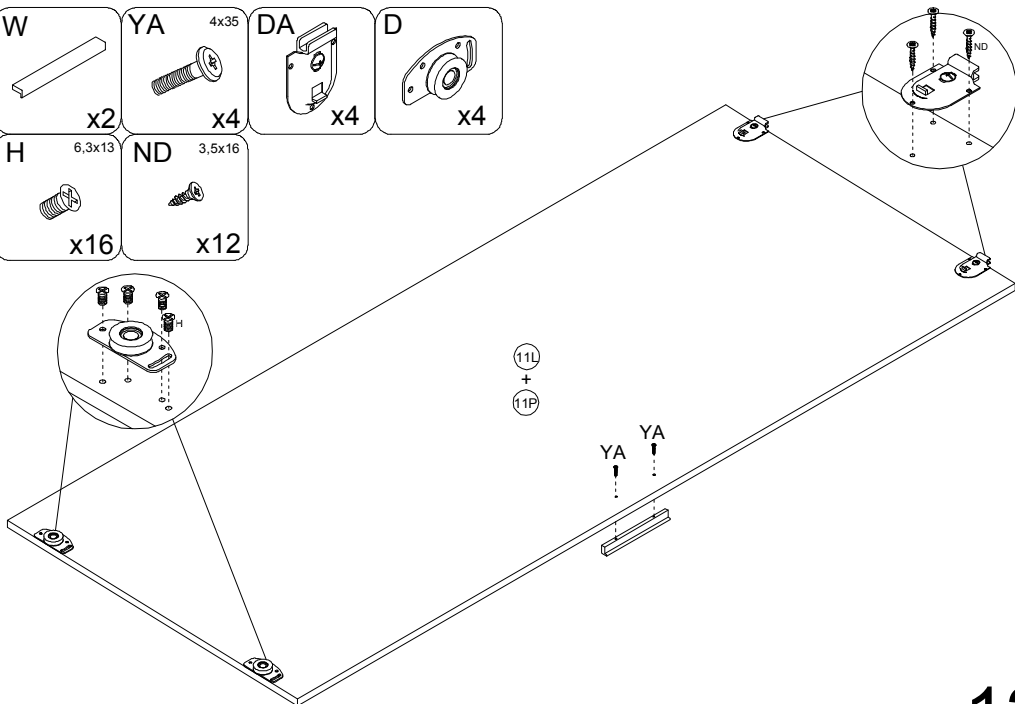
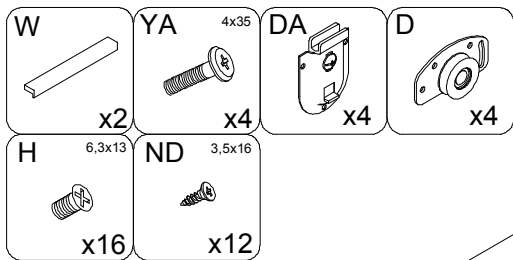
10



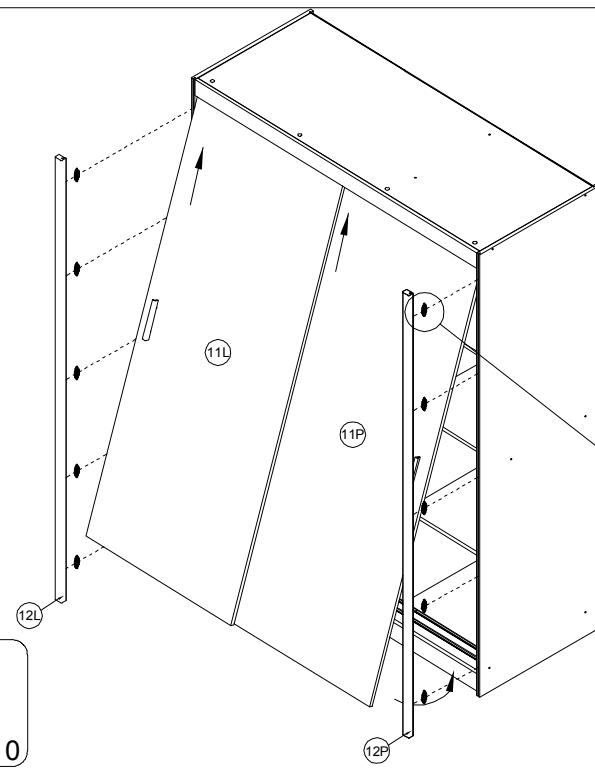
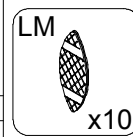
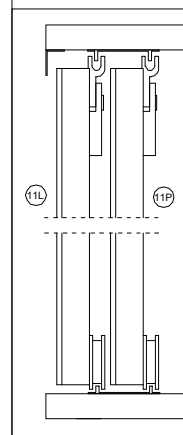
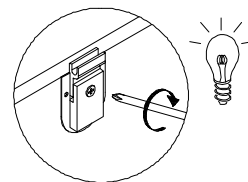
11



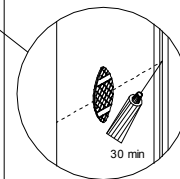
13



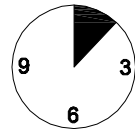
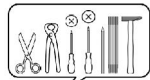
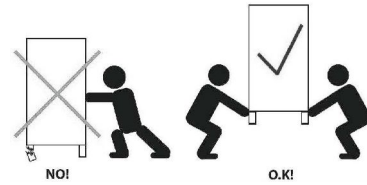
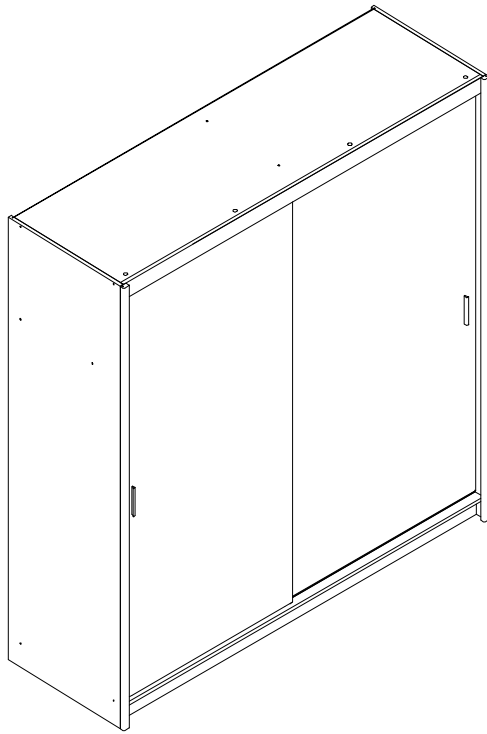
12



14

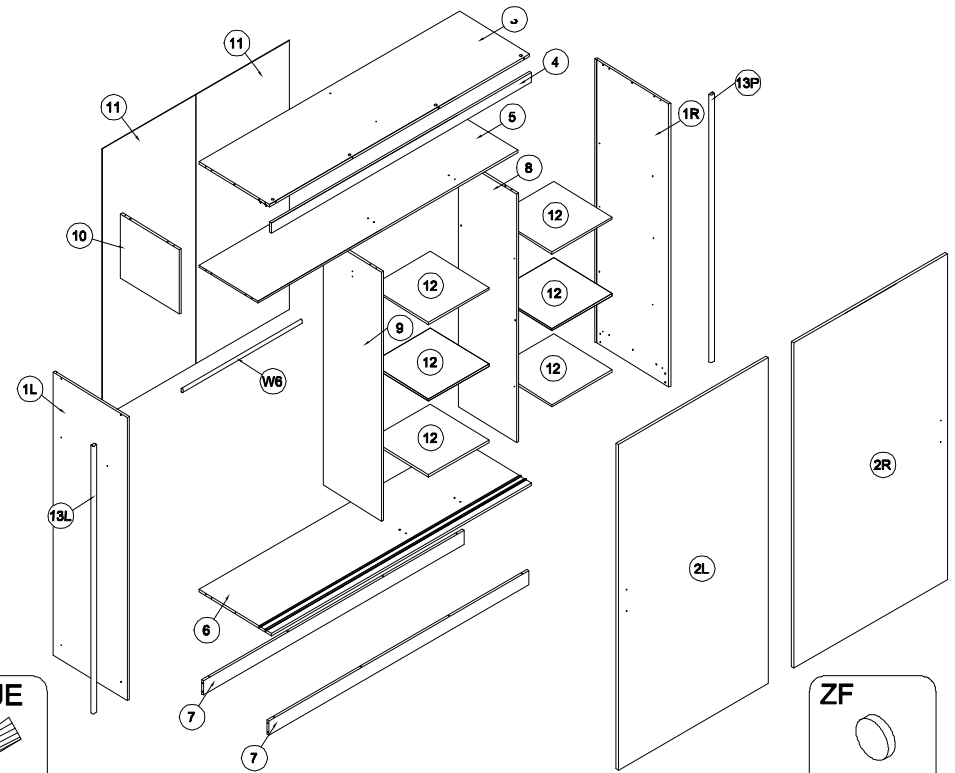


200

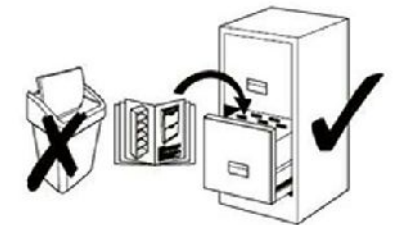
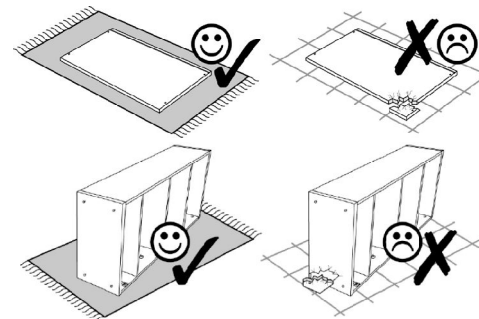


2-2,5

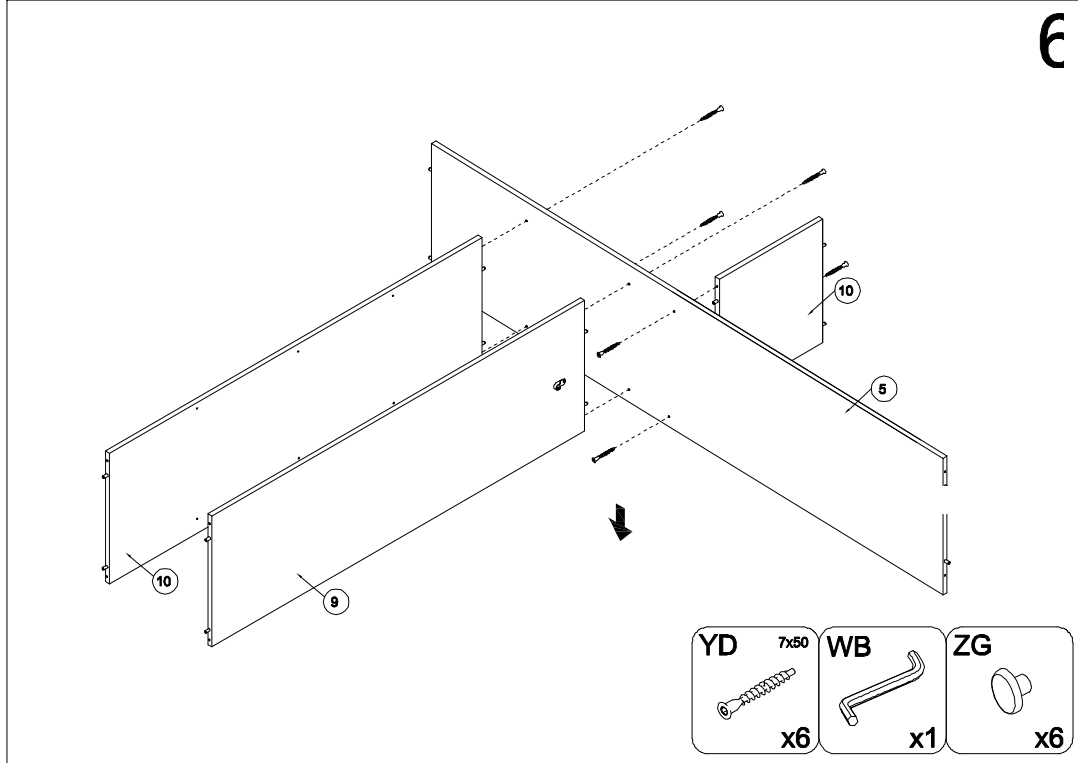
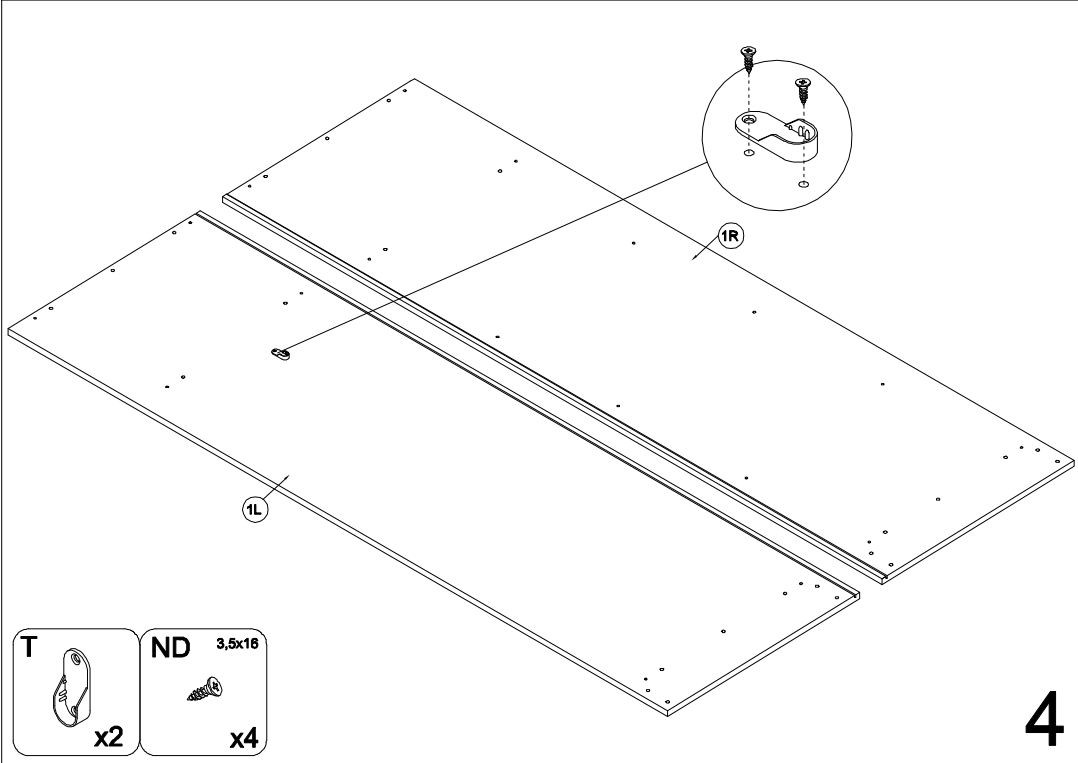
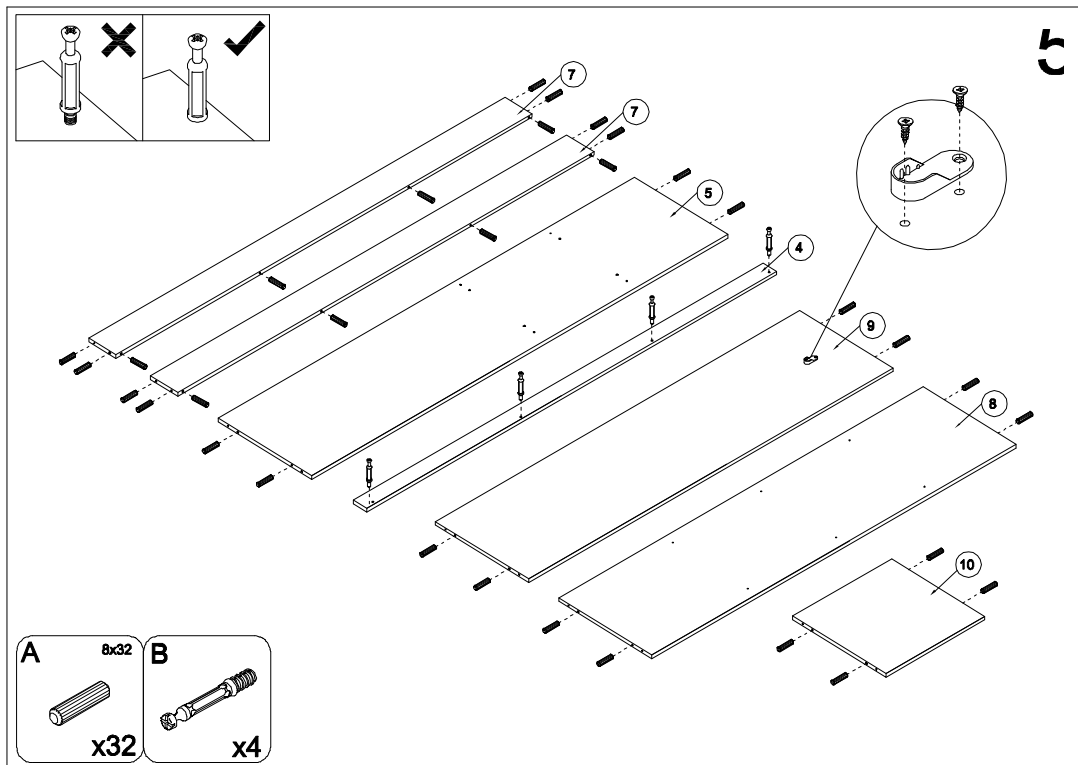
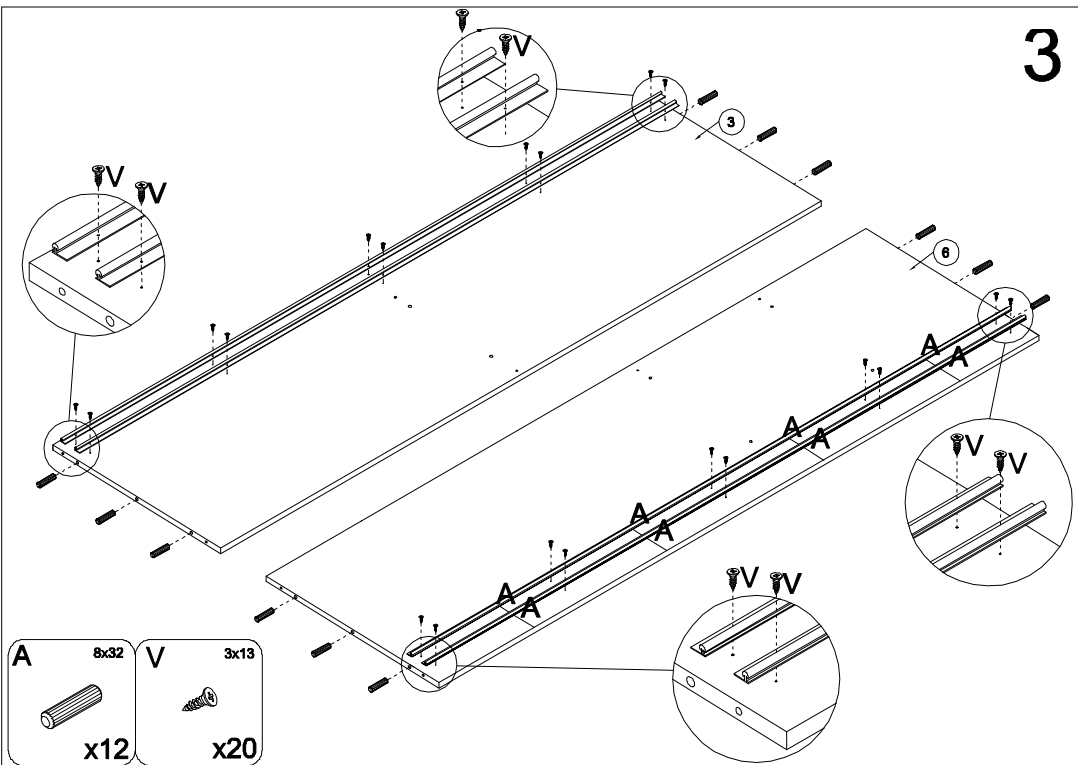
1

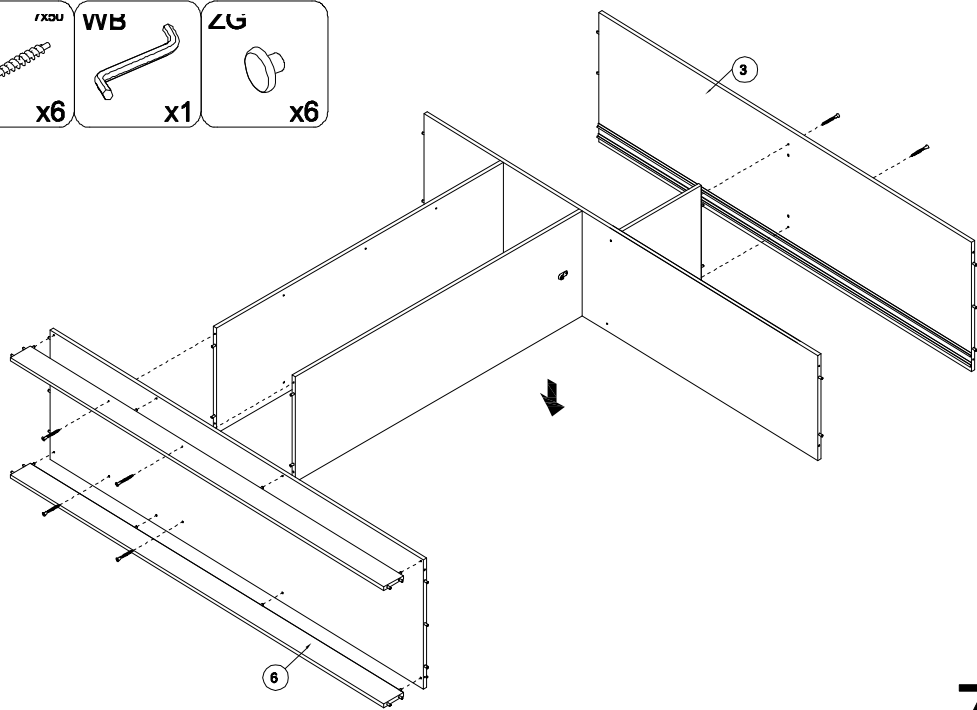
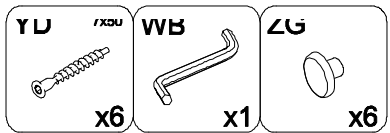


<b>GLUE</b> x1		<b>ZF</b> x4					
<b>W2</b> x2	<b>YA</b> 4x35 x4	<b>LM</b> x12	<b>V</b> 3x13 x20	<b>H</b> 6,3x13 x16	<b>DA</b> x4	<b>D</b> x4	<b>DB</b> L-1990mm x2
<b>W6</b> L-1076mm x1	<b>ZB</b> x24	<b>SP</b> x12	<b>ZC</b> x3	<b>ND</b> 3,5x16 x12	<b>N</b> 3x20 x70	<b>YD</b> 7x50 x24	<b>WB</b> x1
<b>A</b> 8x32 x44	<b>T</b> x2	<b>X</b> x10	<b>B</b> x4	<b>S</b> L-1645mm x1	<b>C</b> x4	<b>Z</b> x4	<b>ZG</b> x24

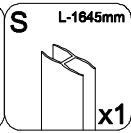
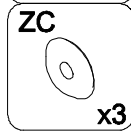
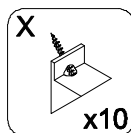
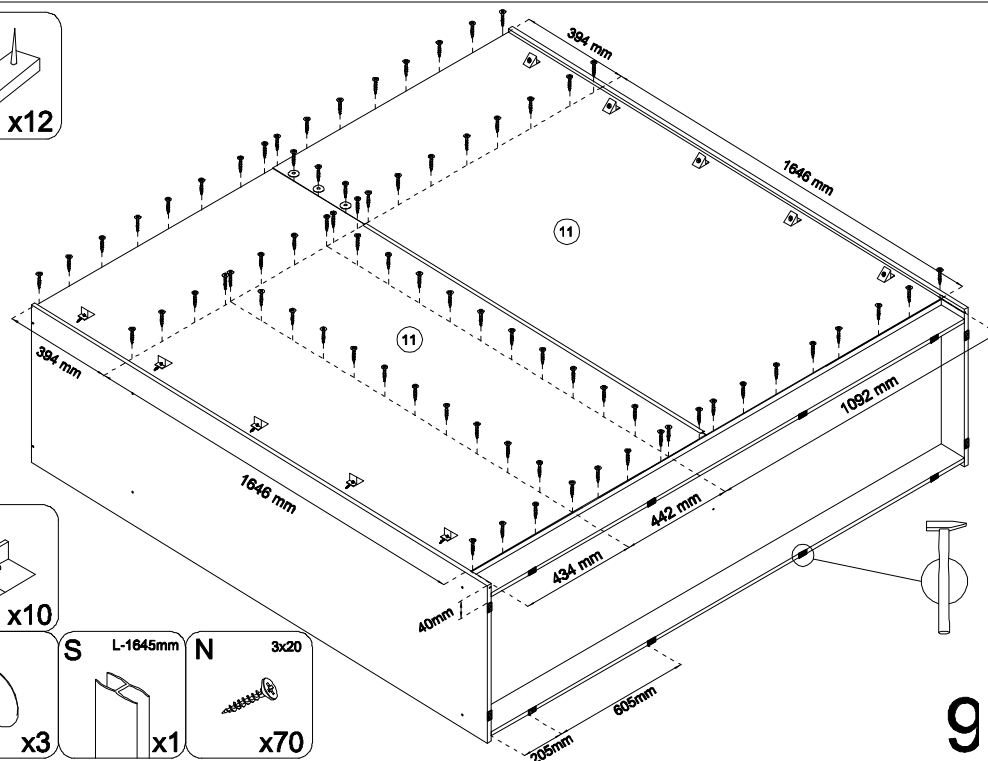
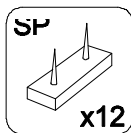


2

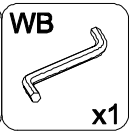
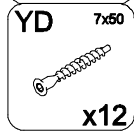
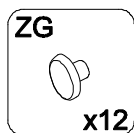
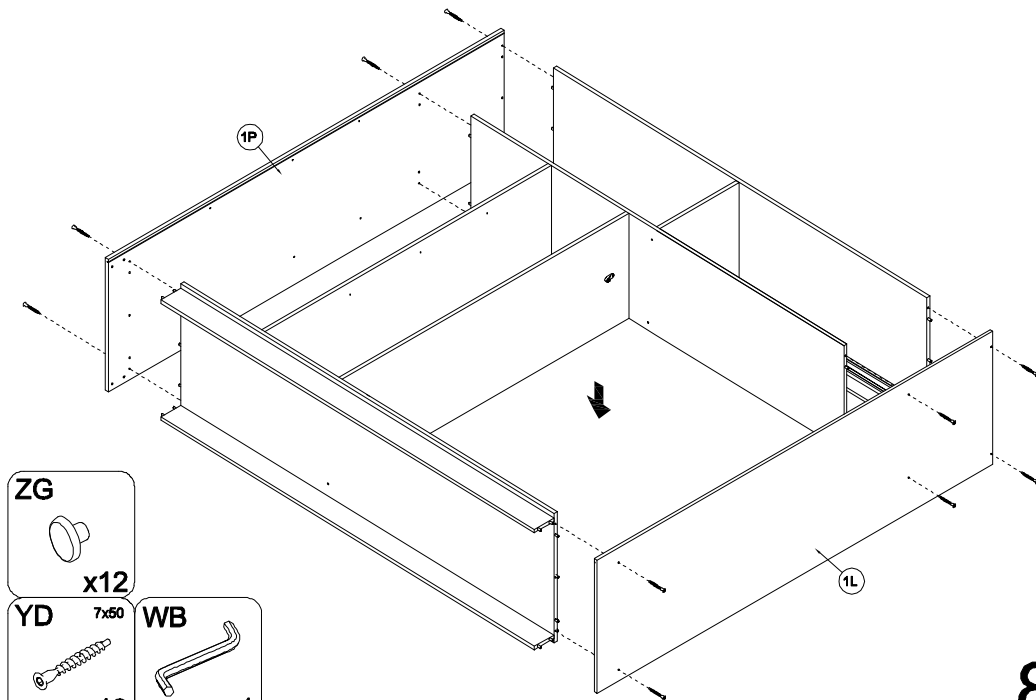




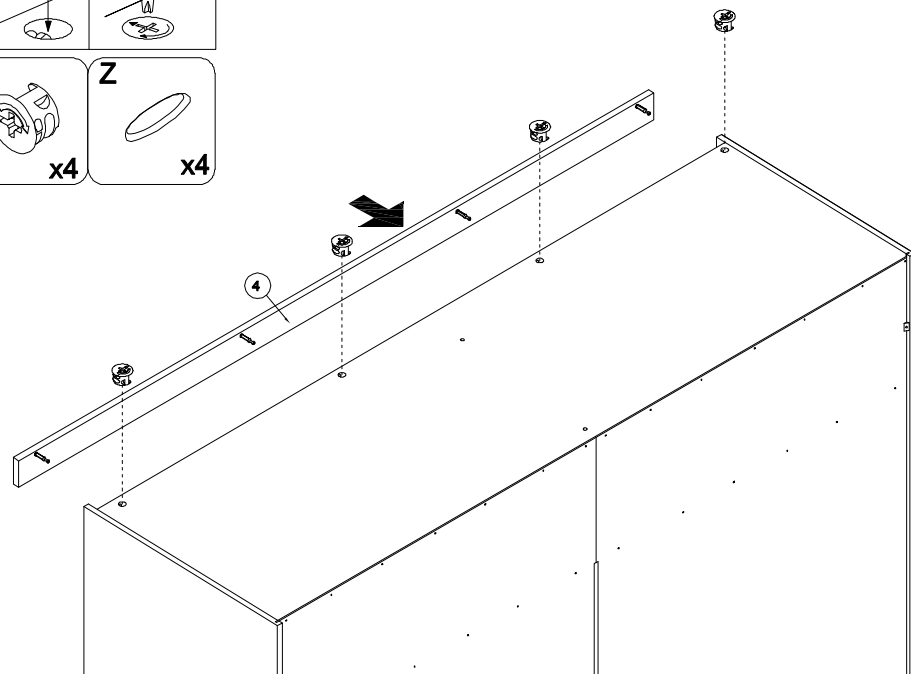
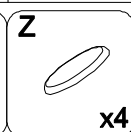
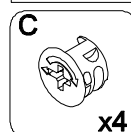
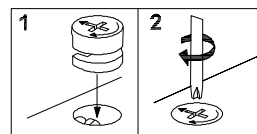
7



9



8



10

