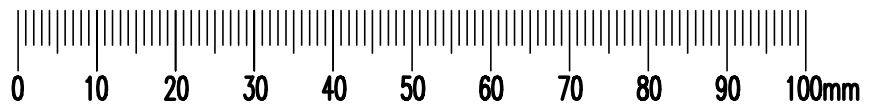

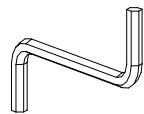
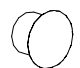
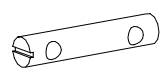
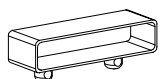
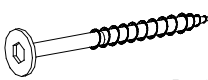

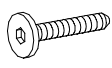
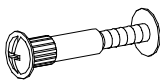




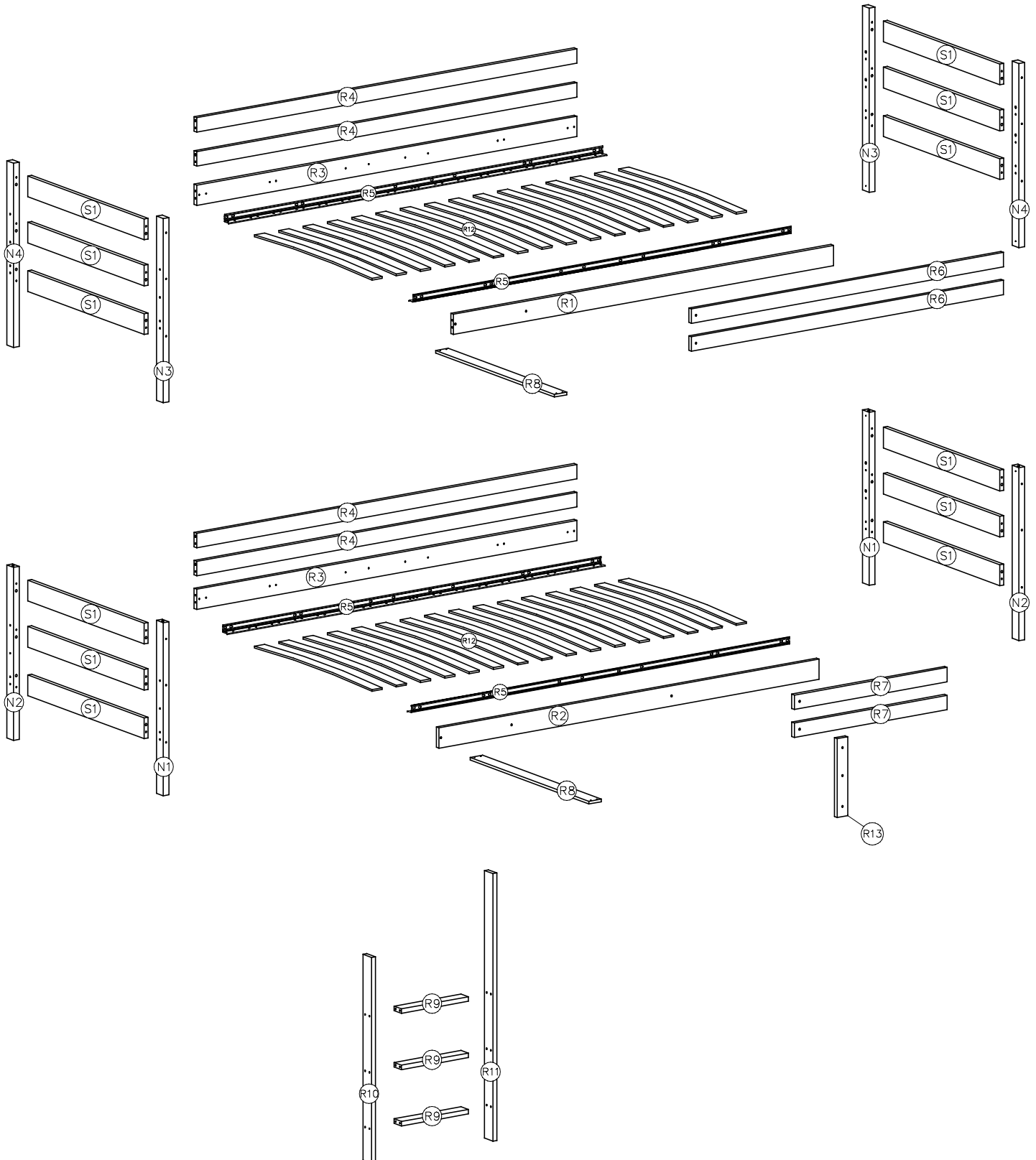
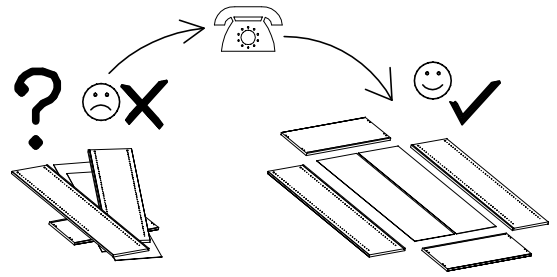
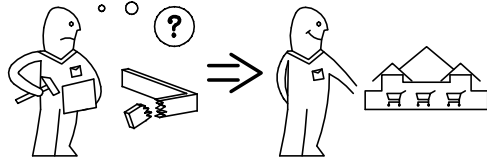
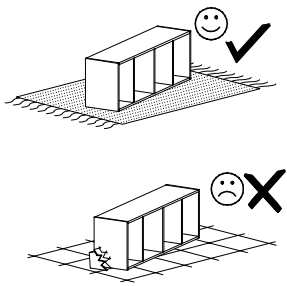


nr	Menge Ilość Quantity	Coli Paczka nr Pack
R1	1	1
R2	1	1
R3	2	1
R4	4	1
R5	4	1
R6	2	1
R7	2	1
R8	2	1
R9	3	1
R10	1	1
R11	1	1
R13	1	1

nr	Menge Ilość Quantity	Coli Paczka nr Pack
N1	2	2
N2	2	2
N3	2	2
N4	2	2
S1	12	2
R12	34	2

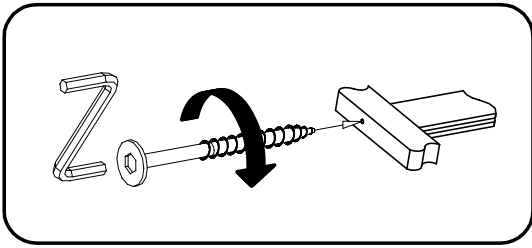


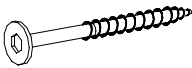

E  6x13 x47	G  x1	K  ø8 x8	J  x4	M  x68
A  6x80 x24	B  6x70 x28	Z  M6x20 x8	I  x3	L  ø10 x4
		C  6x50 x18	H  ø10x50 x12	P  ø6x50 x24

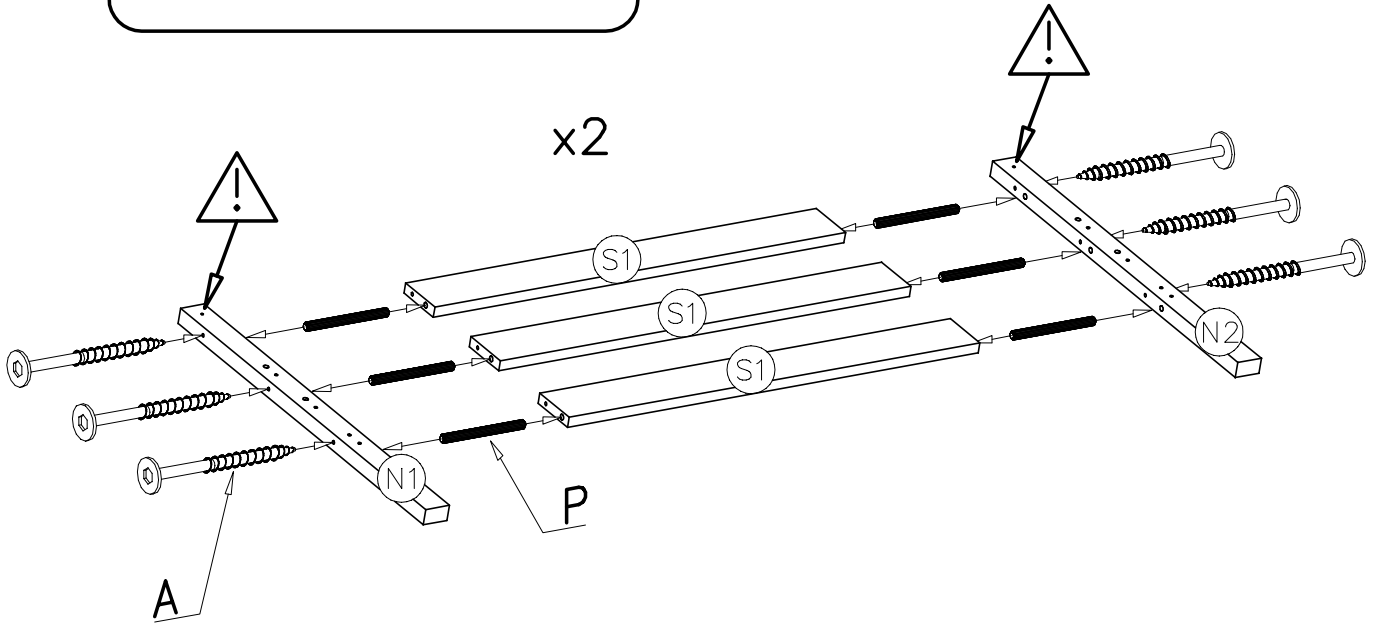




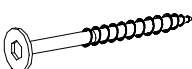

I

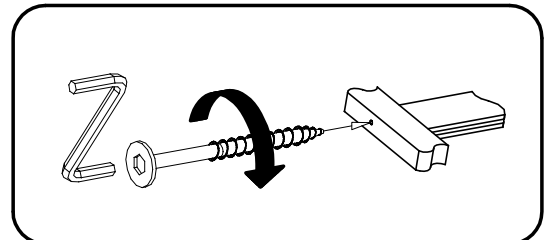
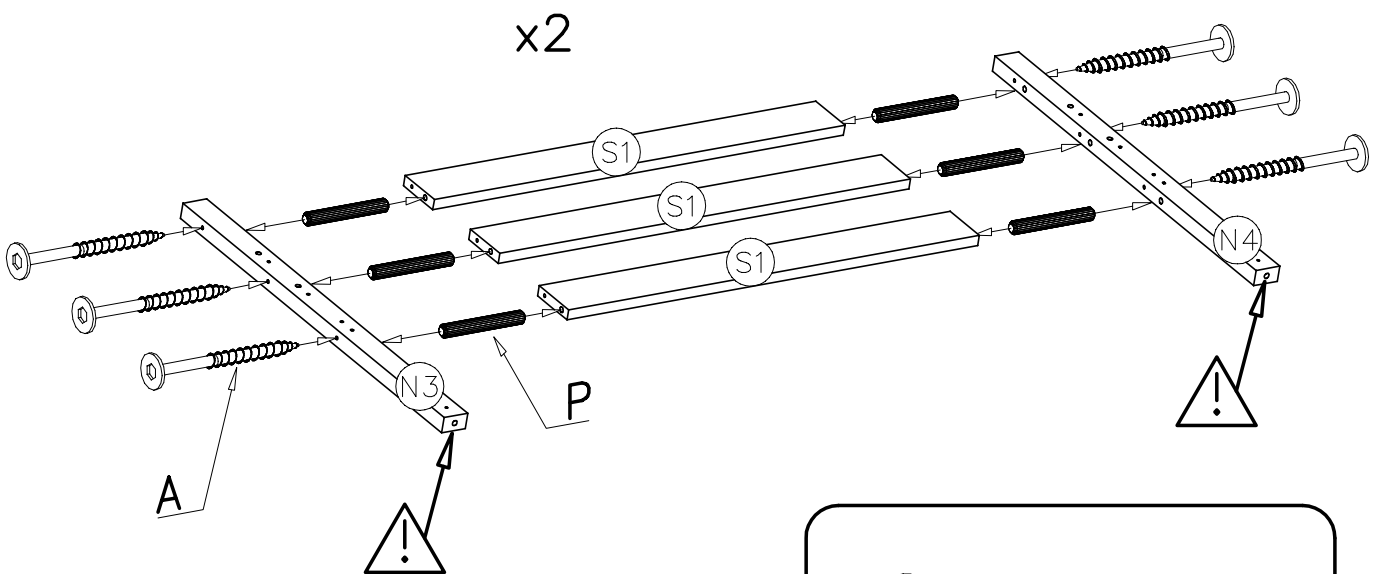


A		6x80	x12
P		∅6x50	x12



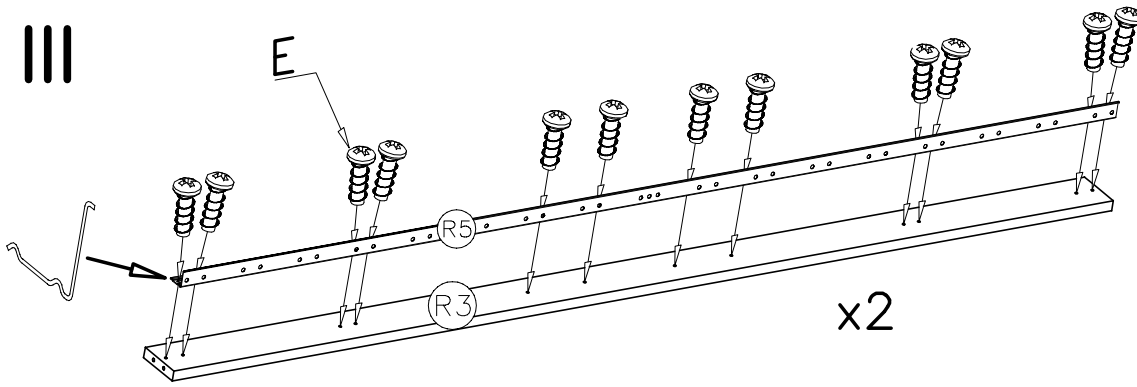
II

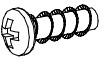
A		6x80	x12
P		∅6x50	x12



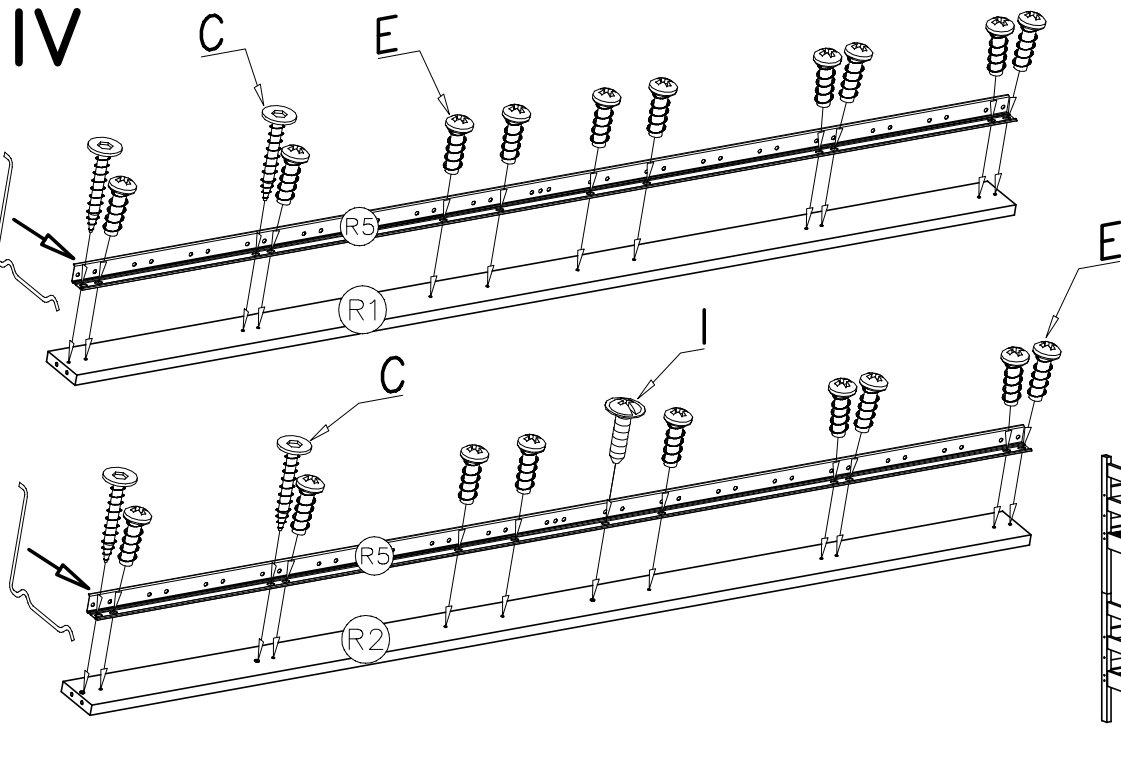


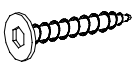
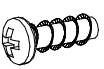
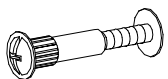
III

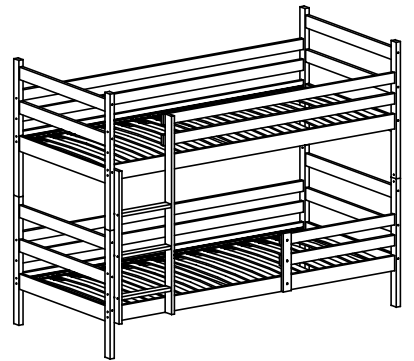


- E  6x13 x24

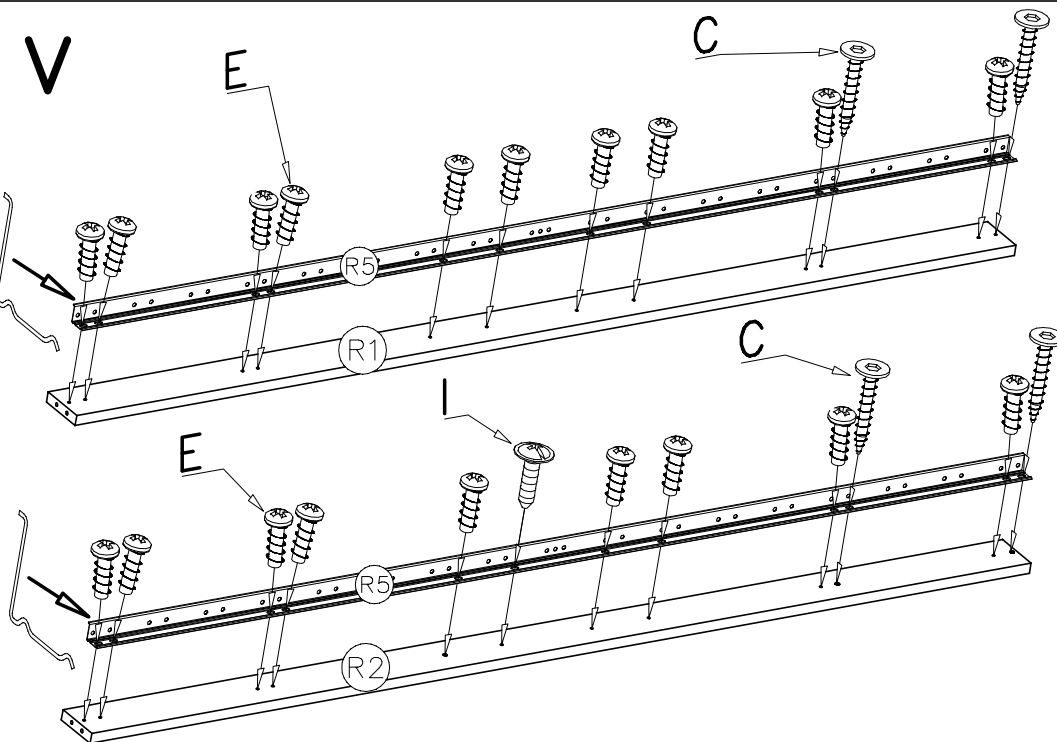
IV

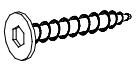
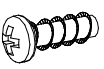
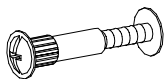


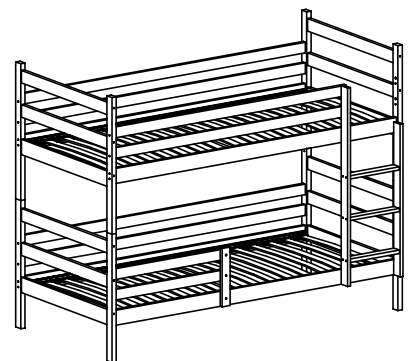
- C  6x50 x4
- E  6x13 x19
- I  x1



V



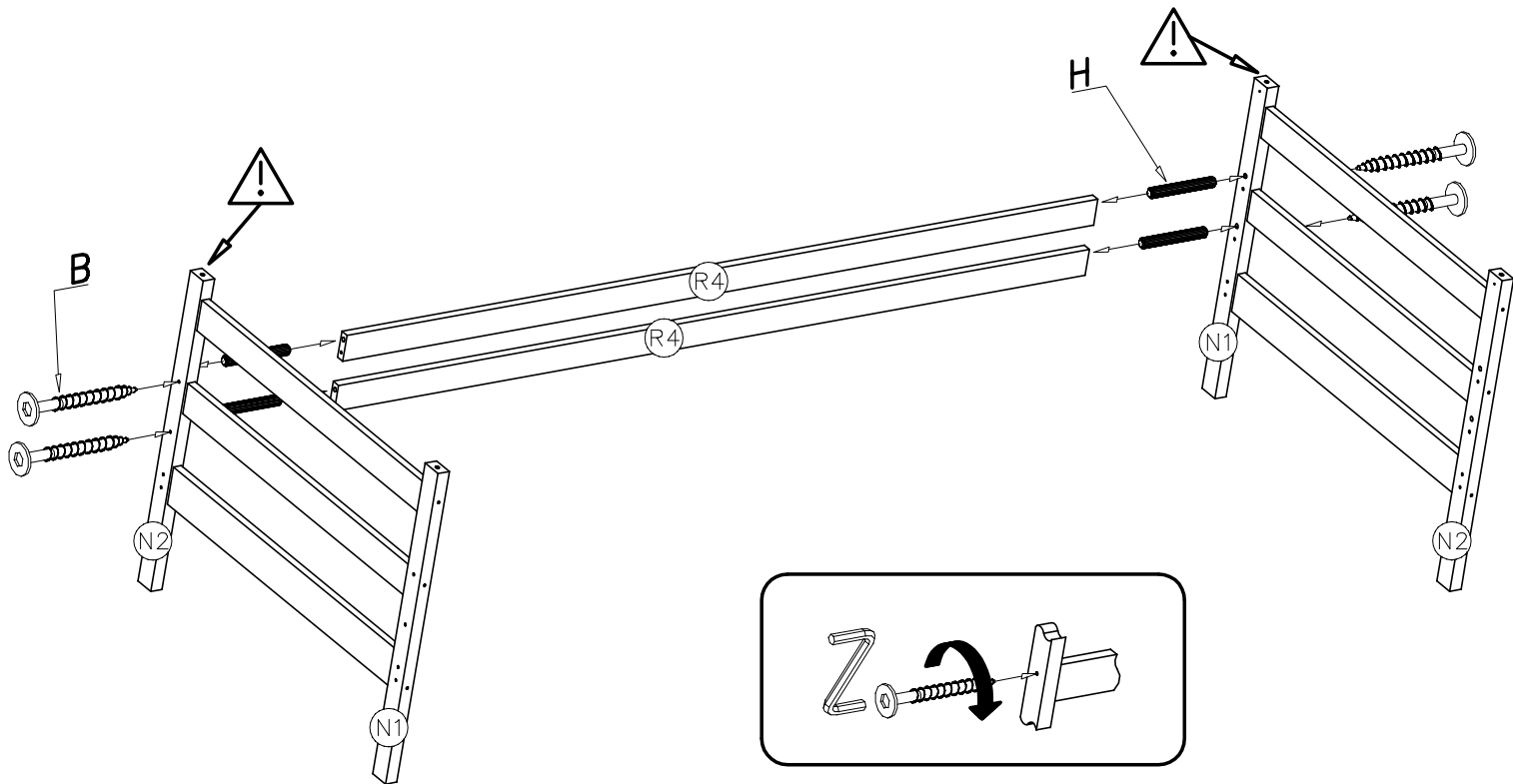
- C  6x50 x4
- E  6x13 x19
- I  x1





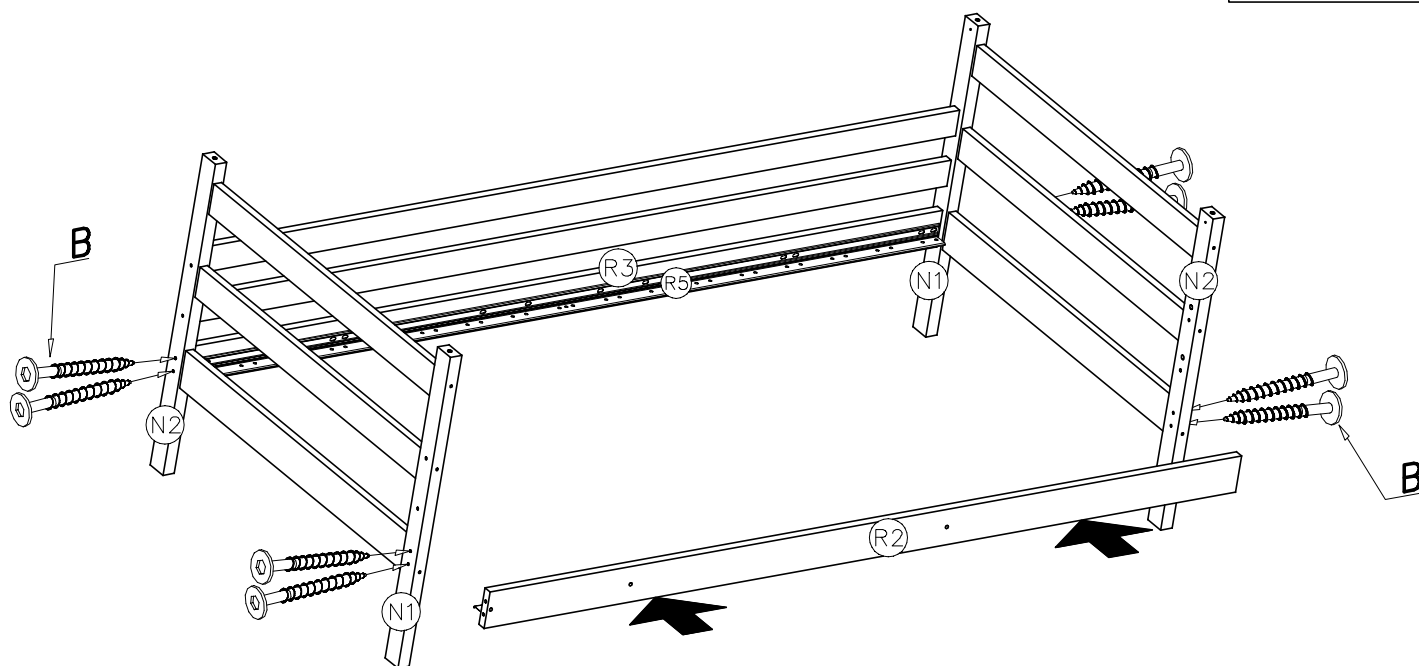
VI

- | | | | |
|--------|----|------|----|
| H | | B | |
| ∅10x50 | x4 | 6x70 | x4 |




VII

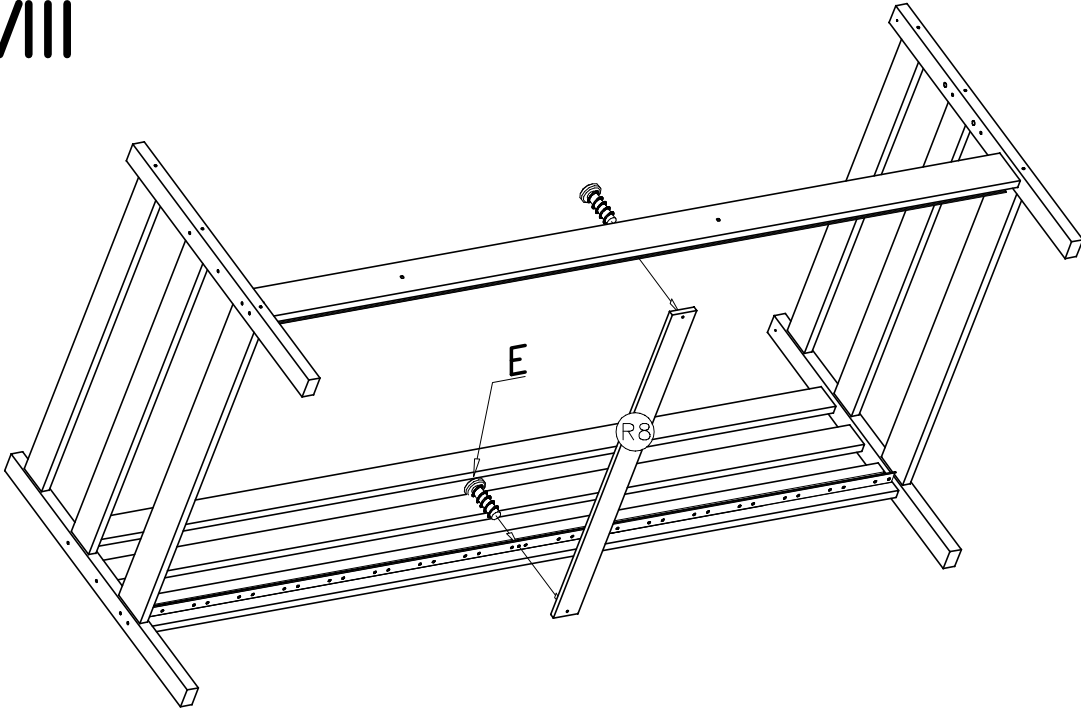
- | | |
|------|----|
| B | |
| 6x70 | x8 |






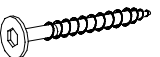
VIII

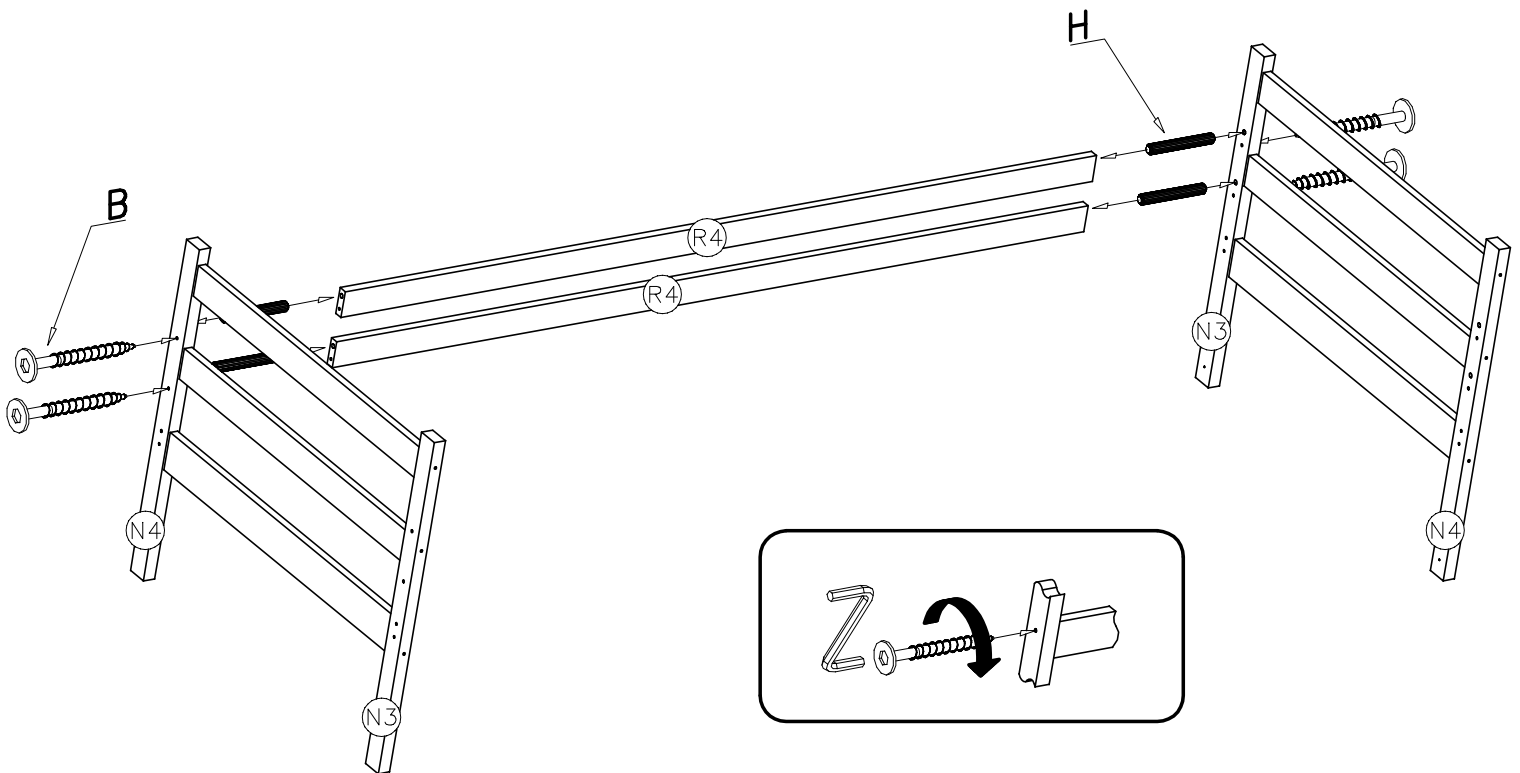
E  **6x13** x2



IX

H  **∅10x50** x4

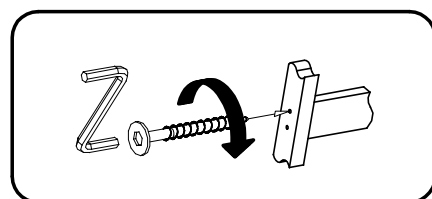
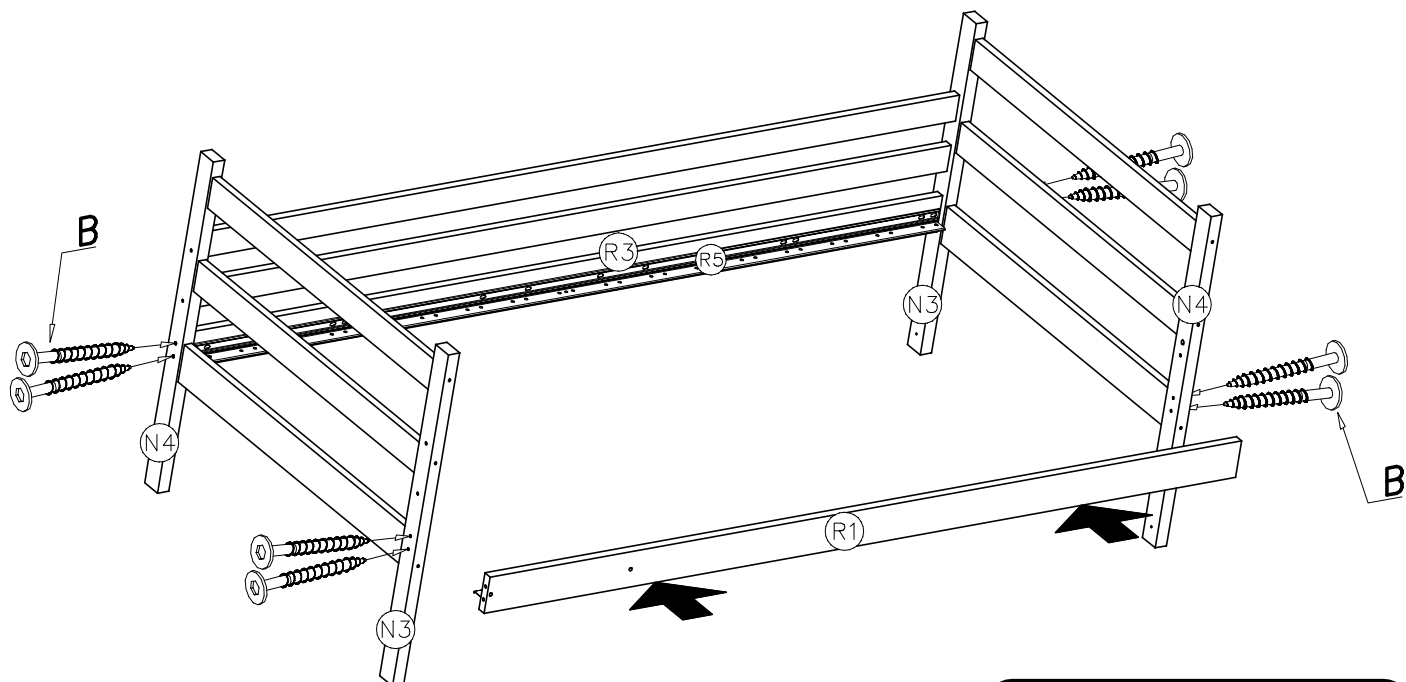
B  **6x70** x4





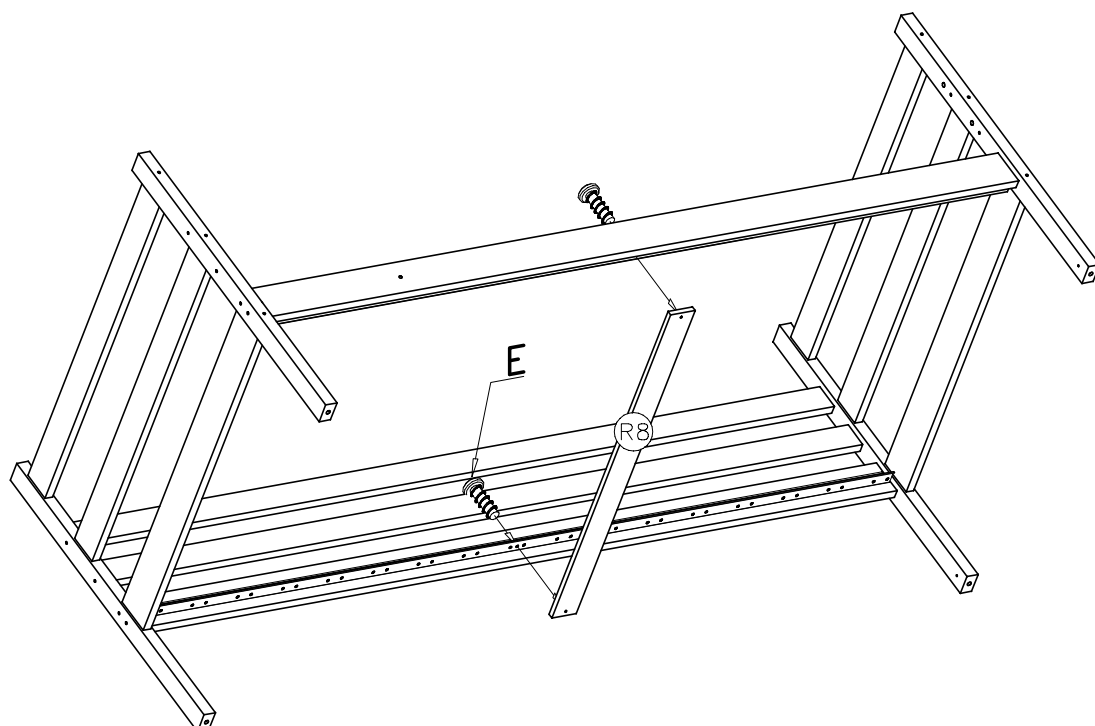
X

B
6x70 x8



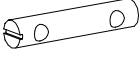
XI

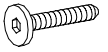
E
6x13 x2

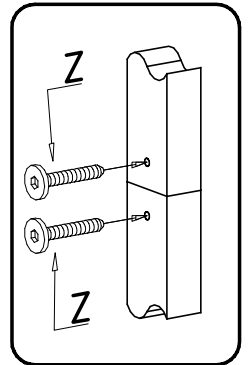
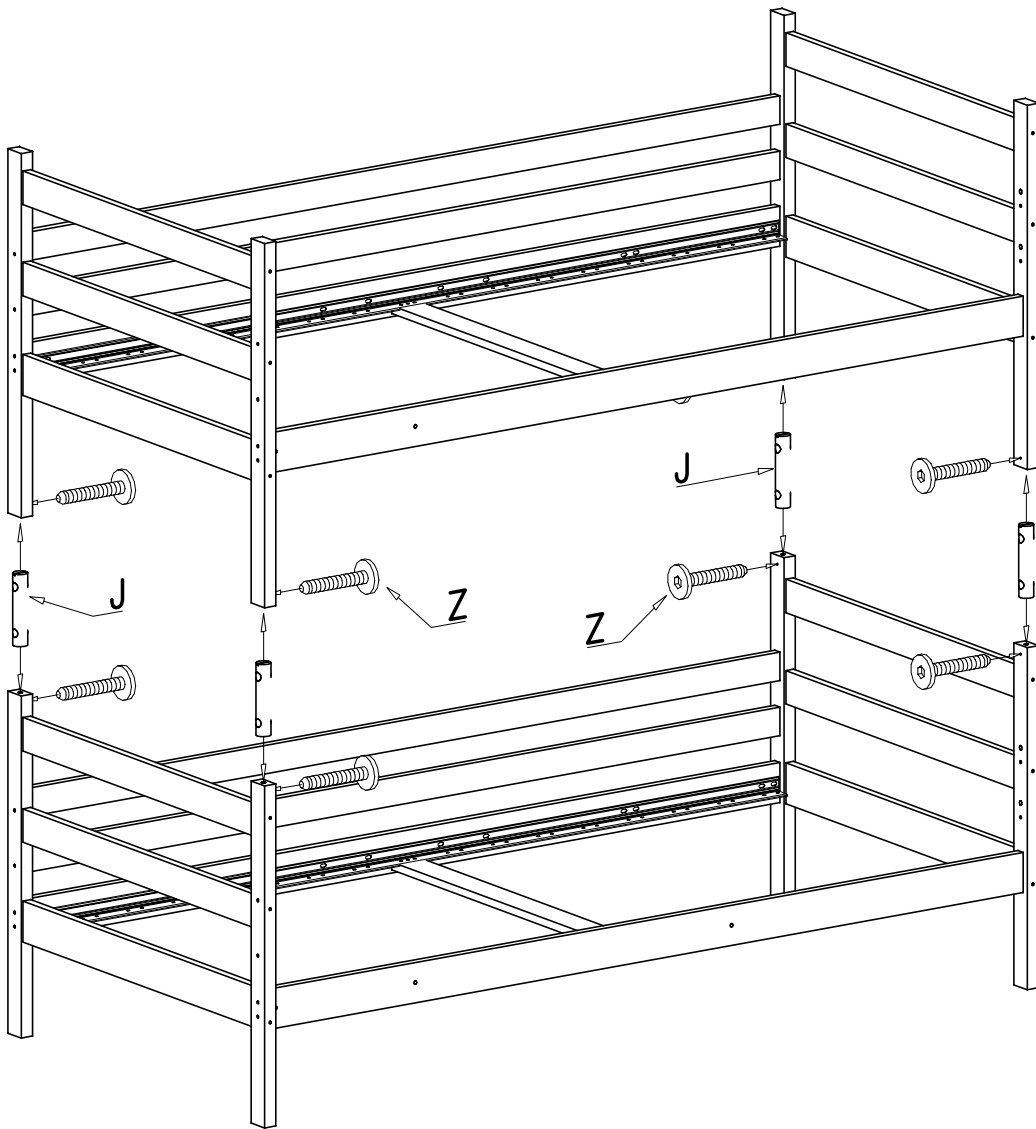




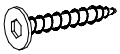
XII

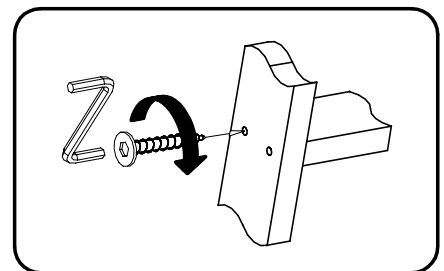
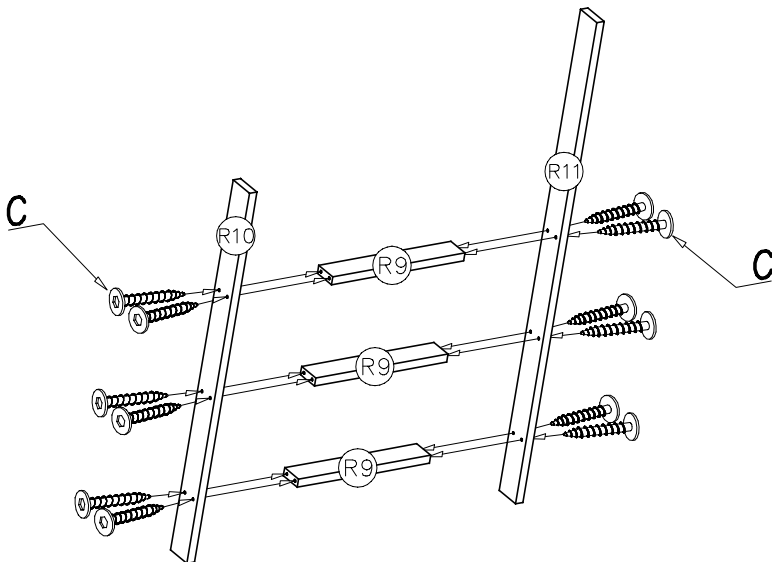
J  x4

Z  M6x20 x8



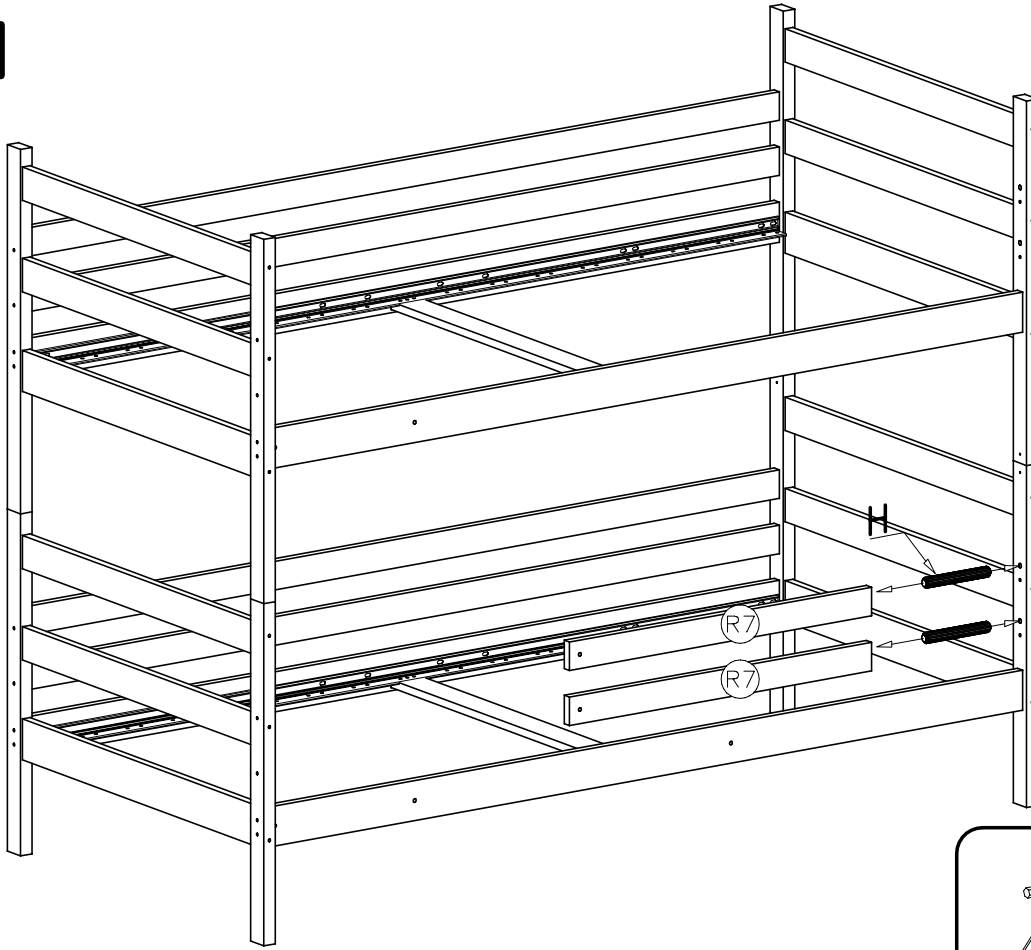
XIII

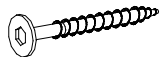

C  6x50 x12

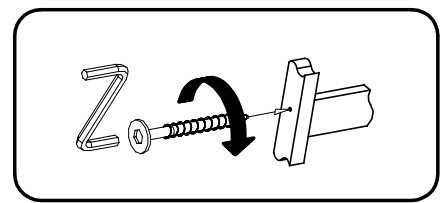




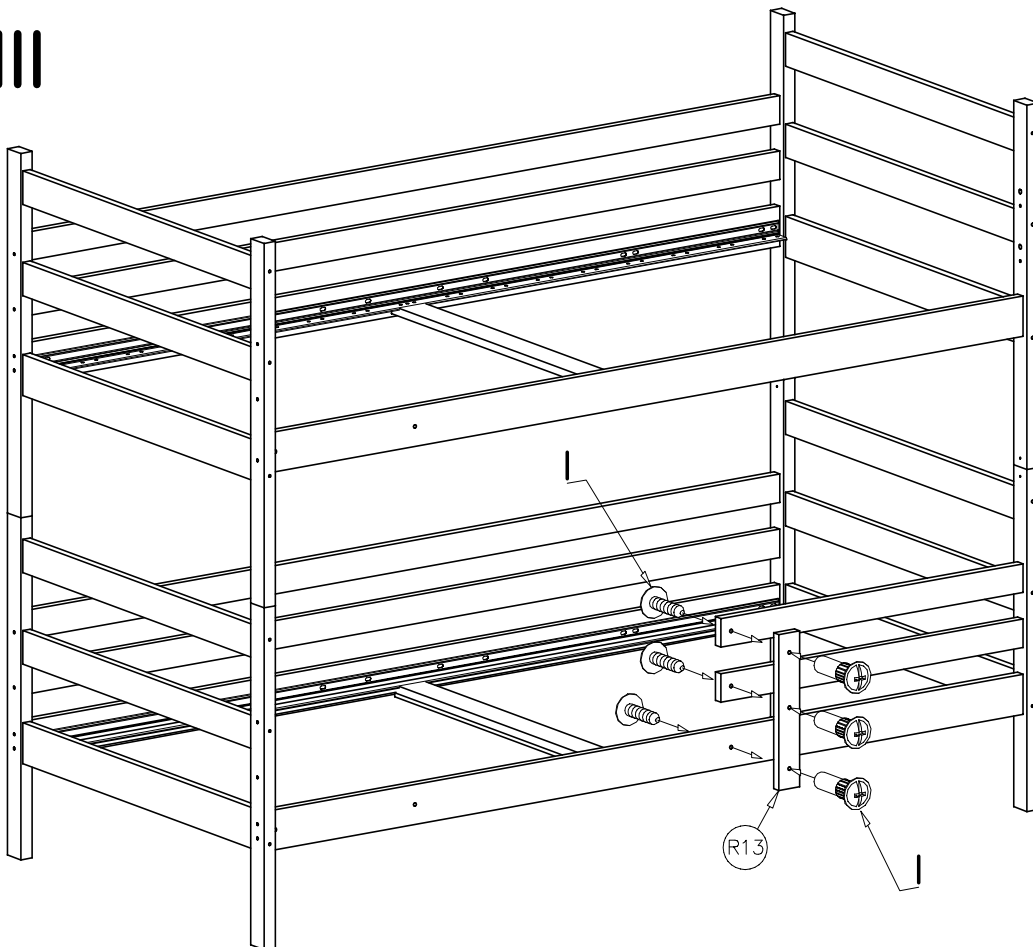
XII

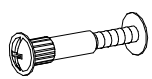


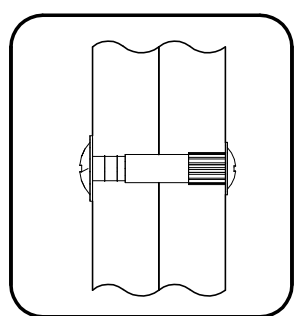
- B  6x70 x2
- H  Ø10x50 x2



XIII

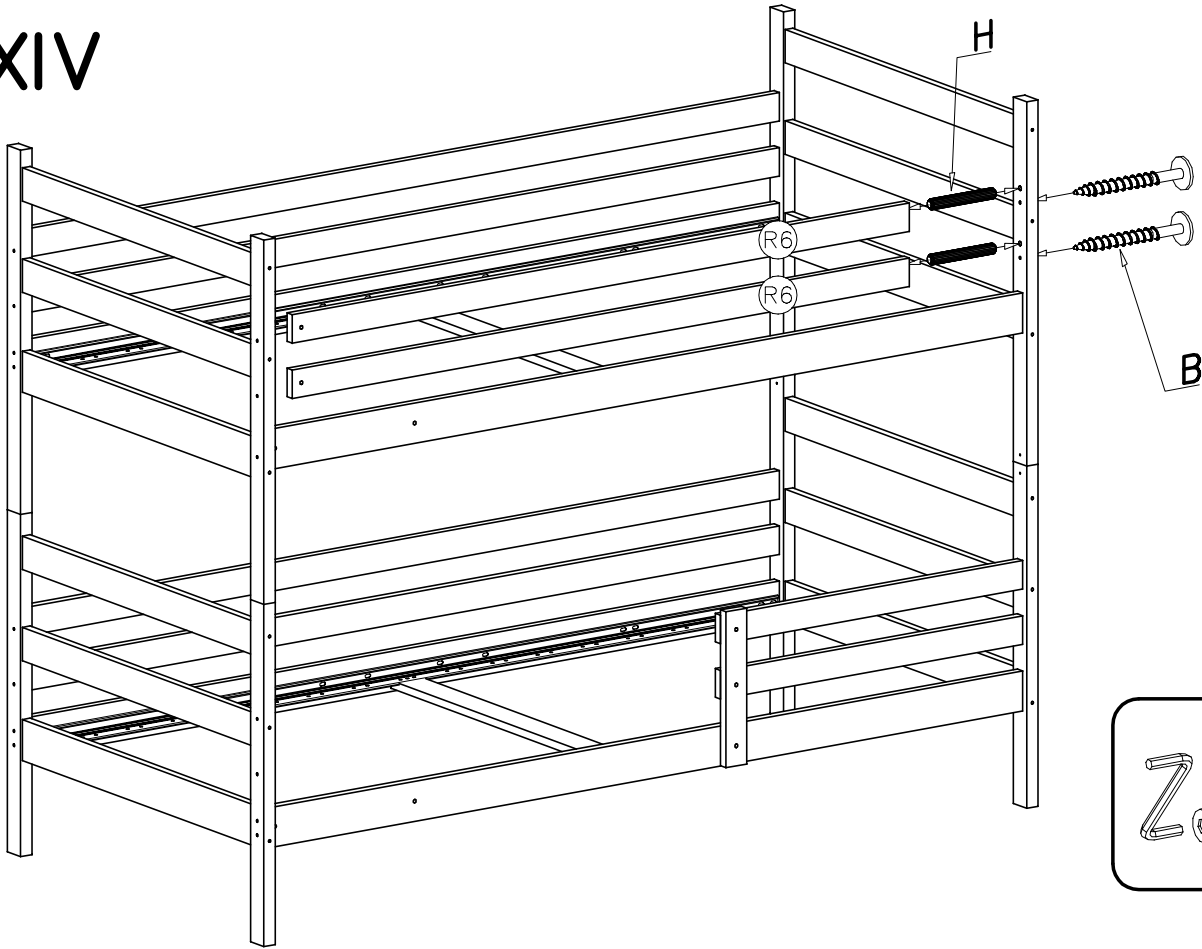


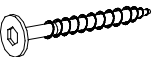

- I  x3

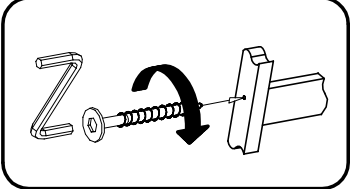




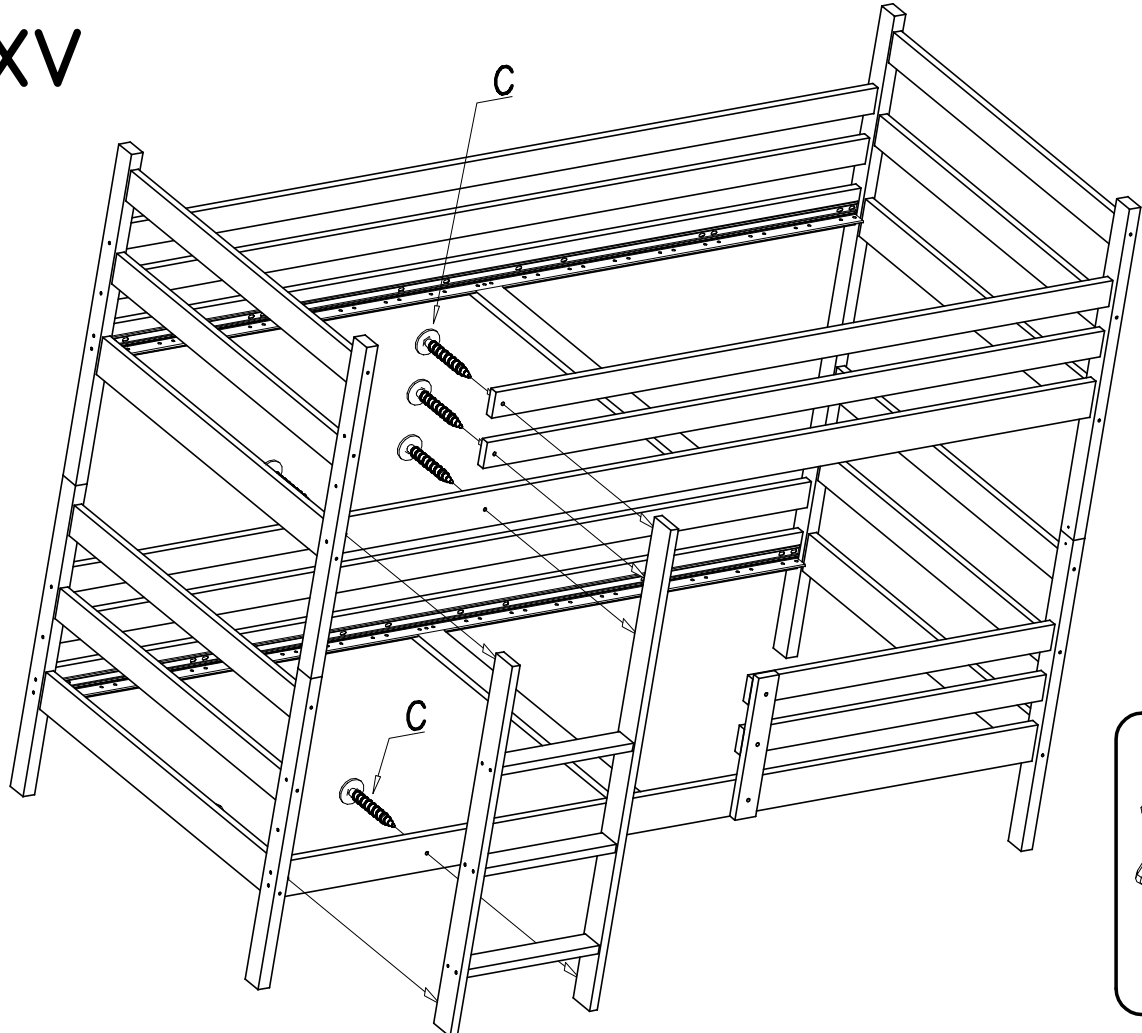
XIV




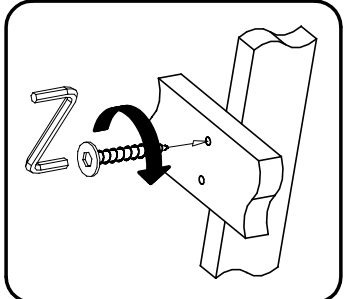
- B**  6x70 x2
- H**  Ø10x50 x2



XV

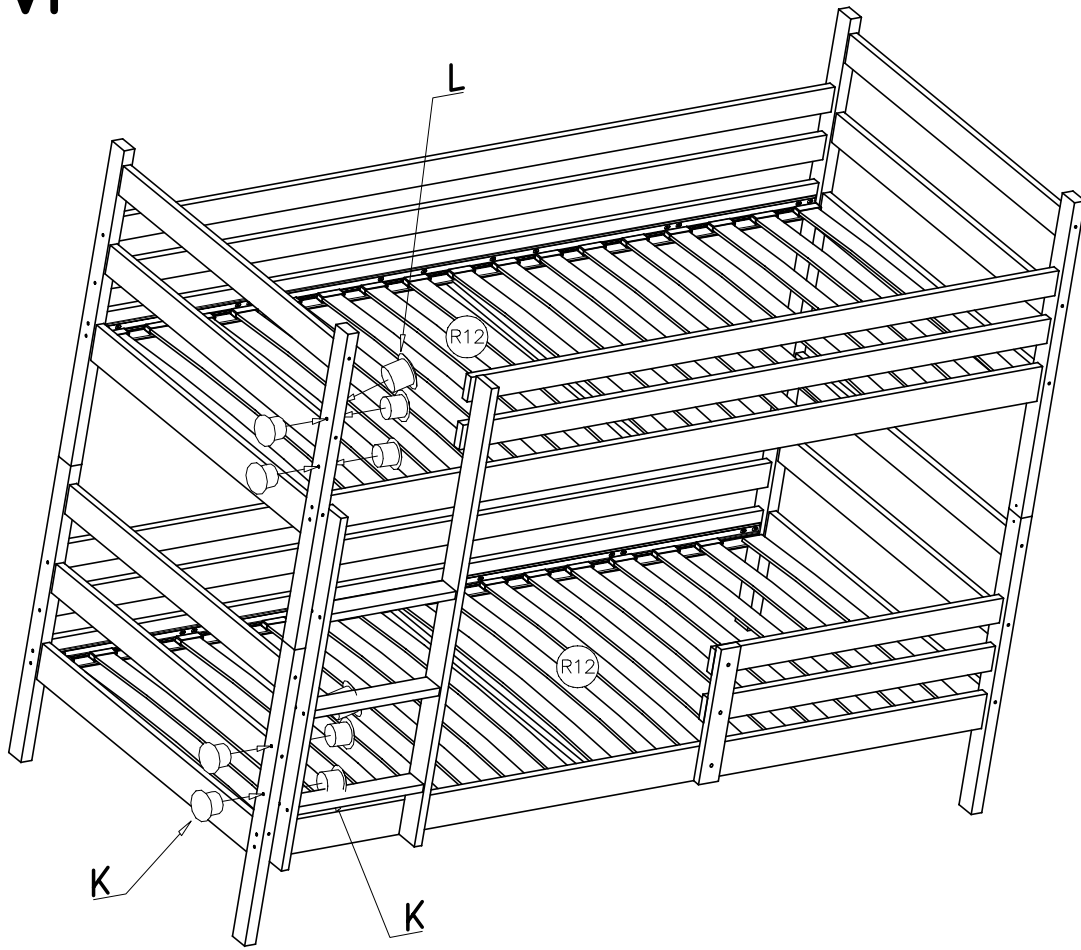


- C**  6x50 x6





XVI



M		x68
K		x8
L		x4

