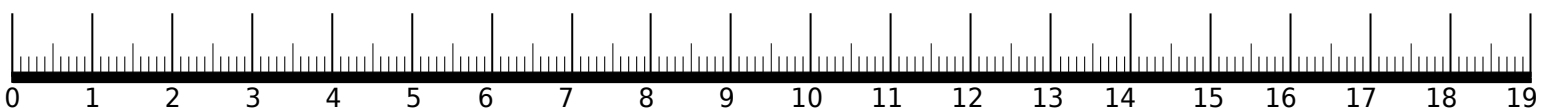
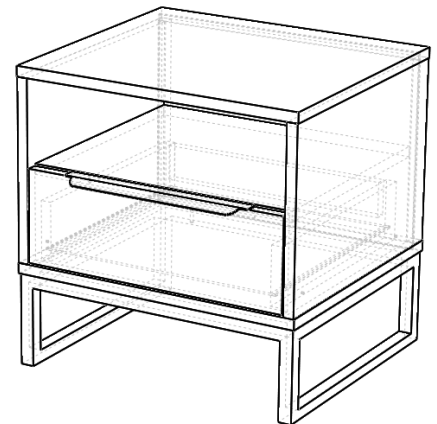
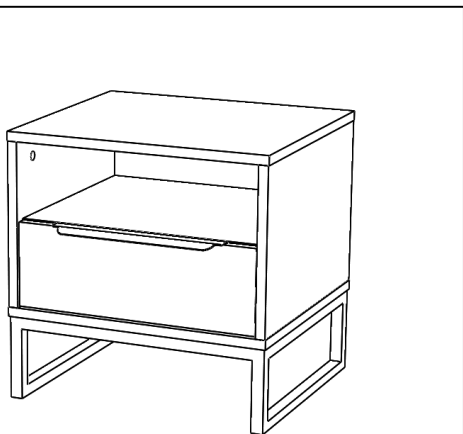
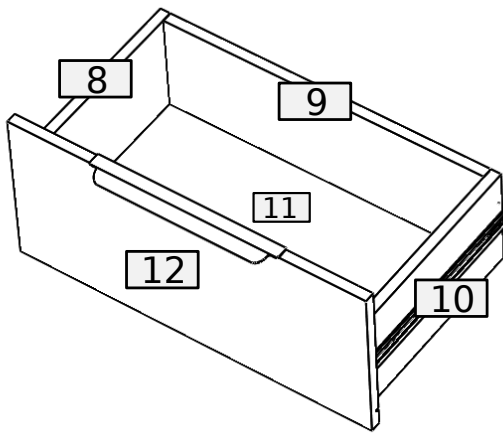
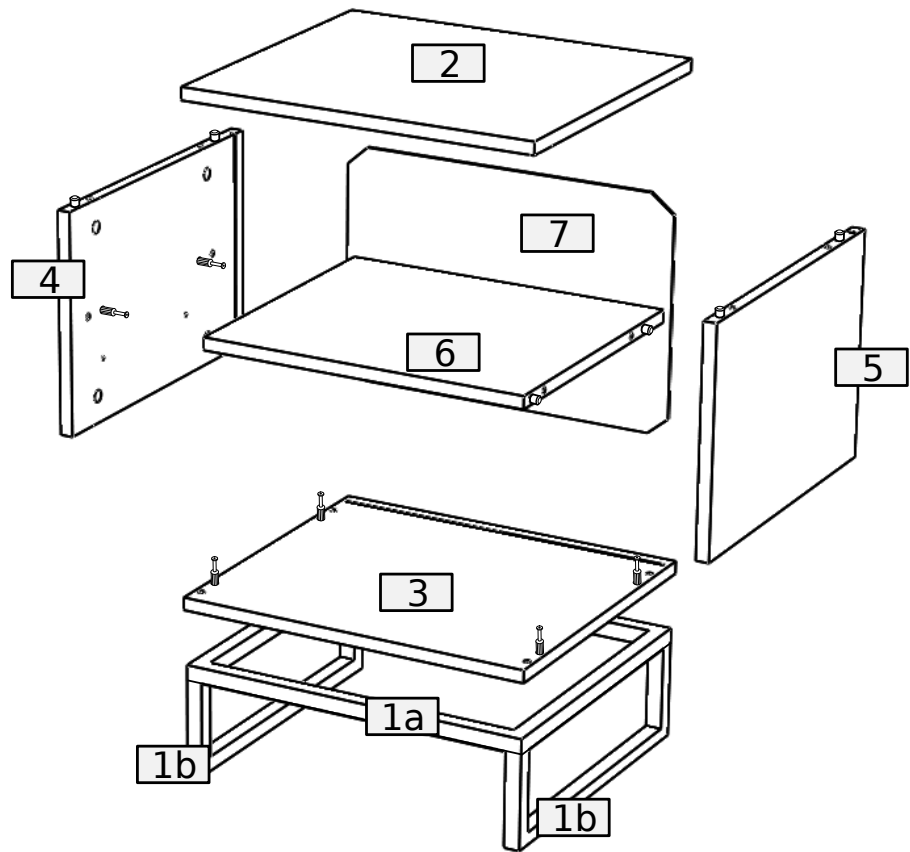


16	16	16	8	3	6
B	A	8.0x35	D 3.5x16 W2	G	I
X L-350	PK	3.0x20 W1	3.0x16 W3	256	UL
8	1	4	2	1	4

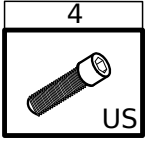
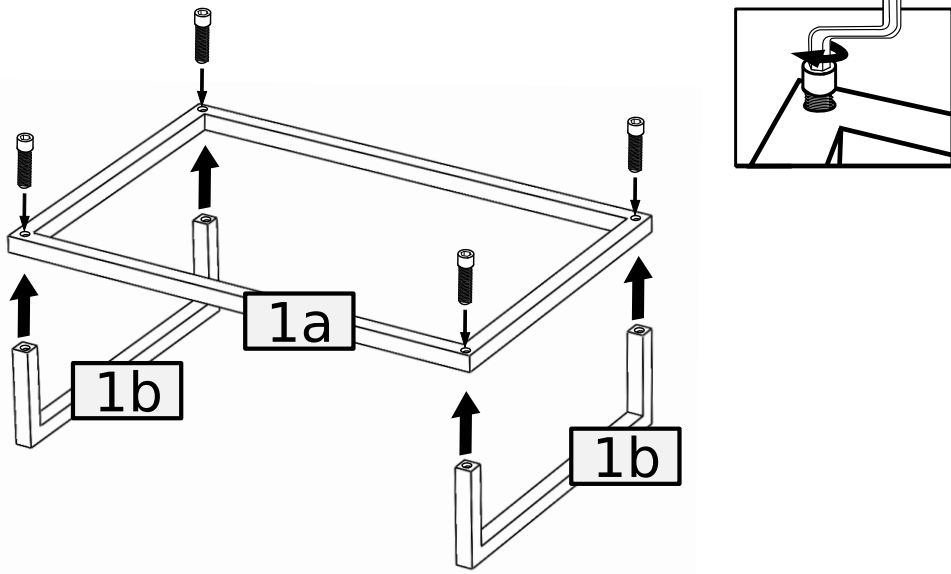
1	4	4
U2	US	4.0x35 W11



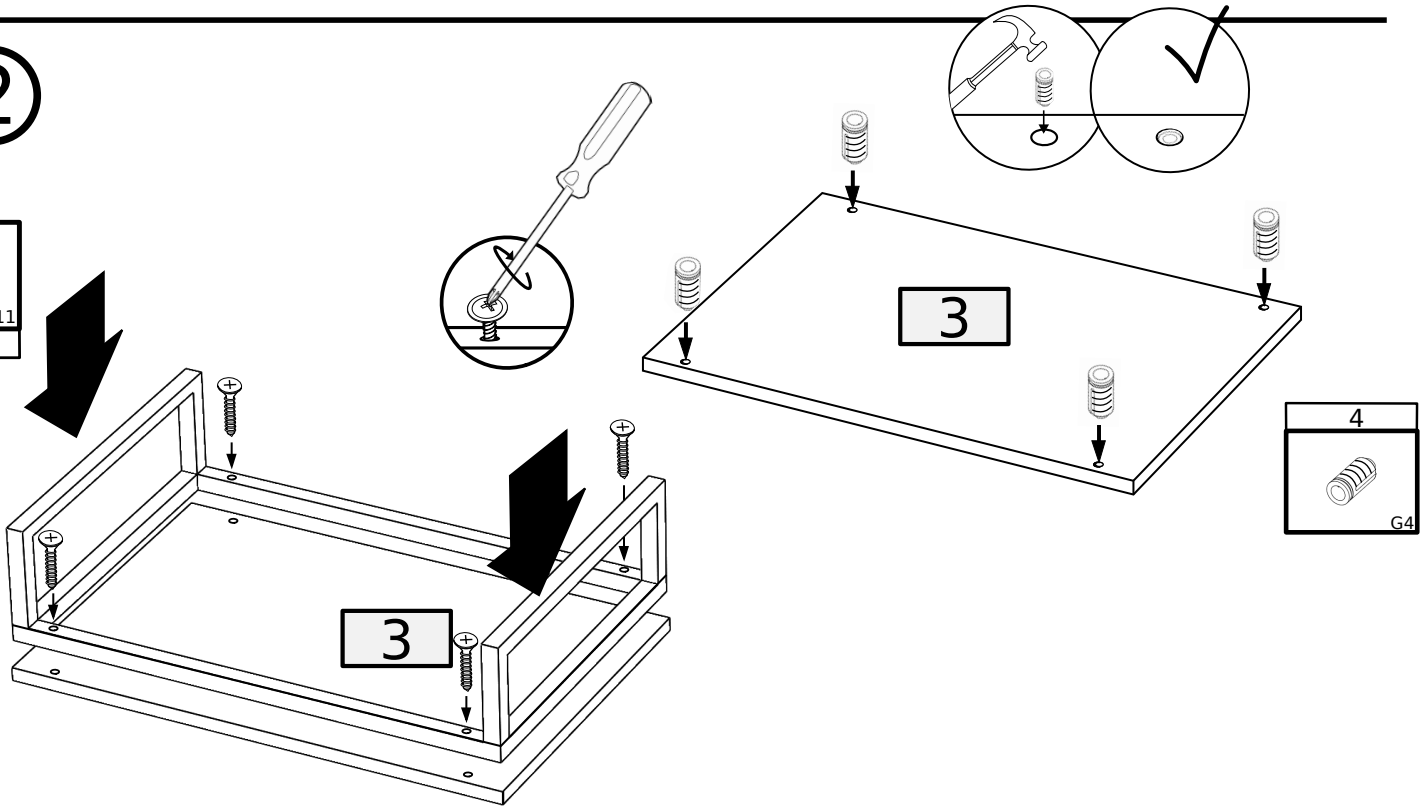
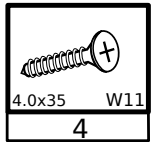


No.	Pcs.	L	W	D	Pac
1a	1	445	395	20	1/1
1b	1	120	395	20	1/1
2	1	450	400	16	1/1
3	1	450	400	16	1/1
4	1	400	278	16	1/1
5	1	400	278	16	1/1
6	1	416	360	16	1/1
7	1	430	292	3	1/1
8	1	350	110	16	1/1
9	1	359	92	16	1/1
10	1	350	110	16	1/1
11	1	374	357	3	1/1
12	1	412	150	16	1/1

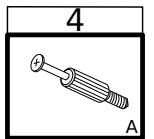
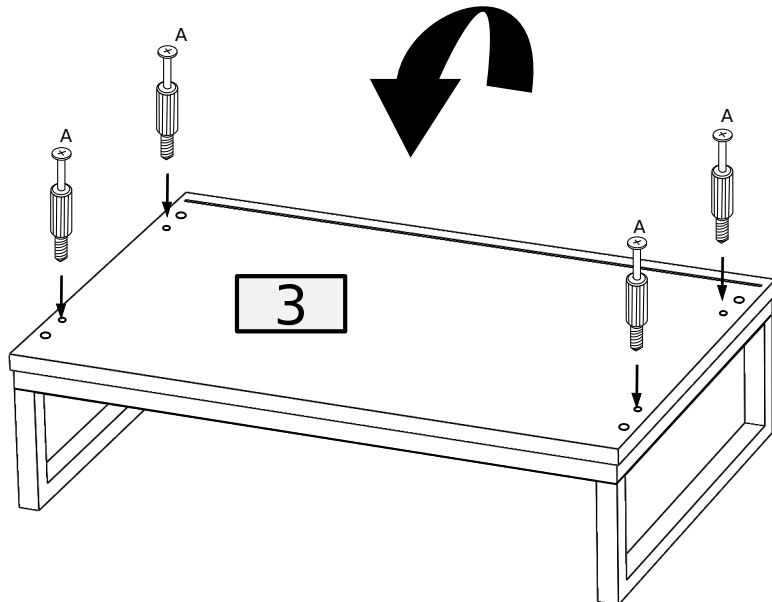
①



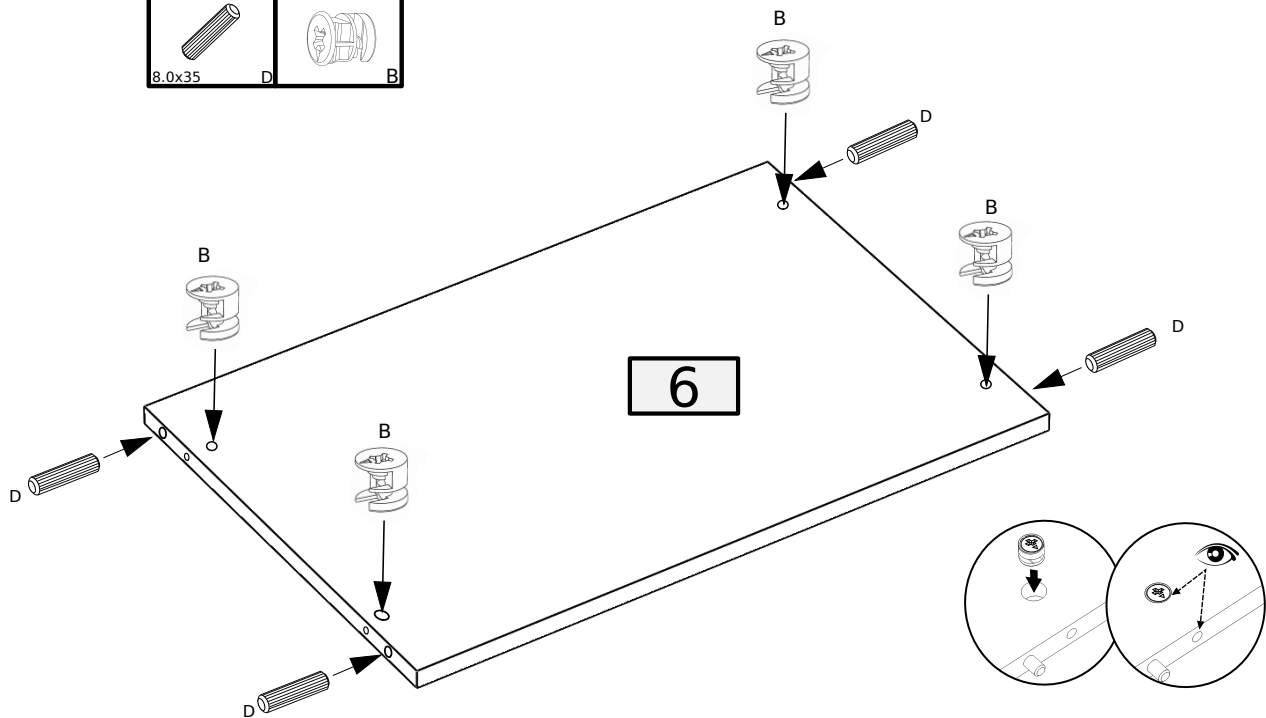
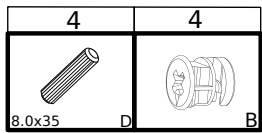
②



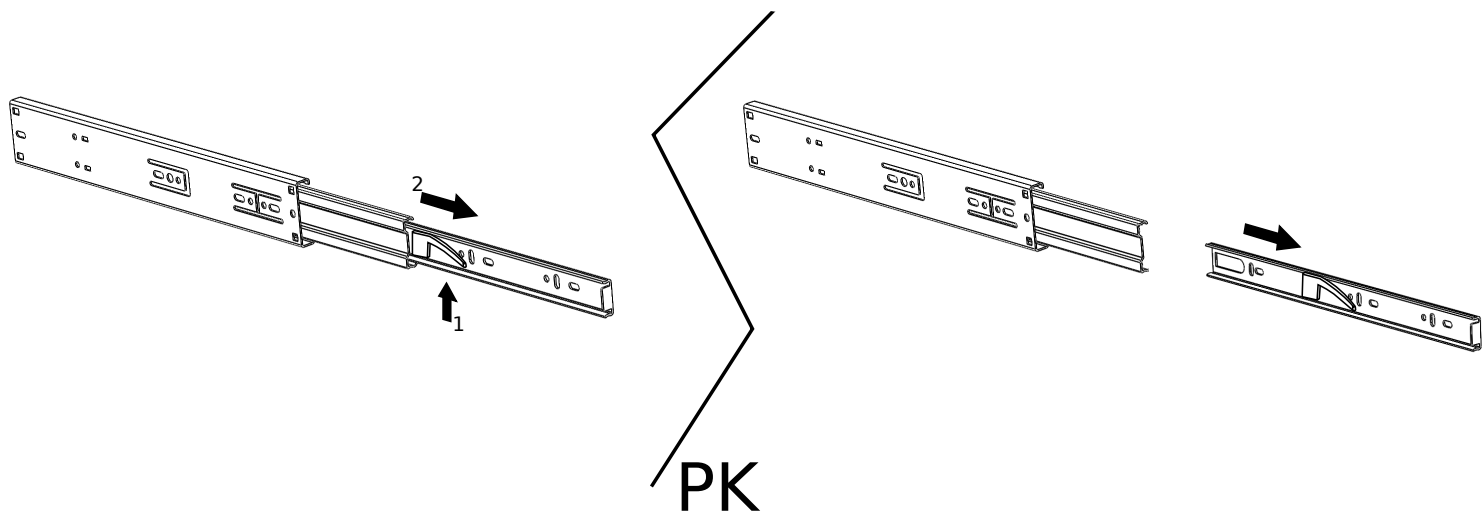
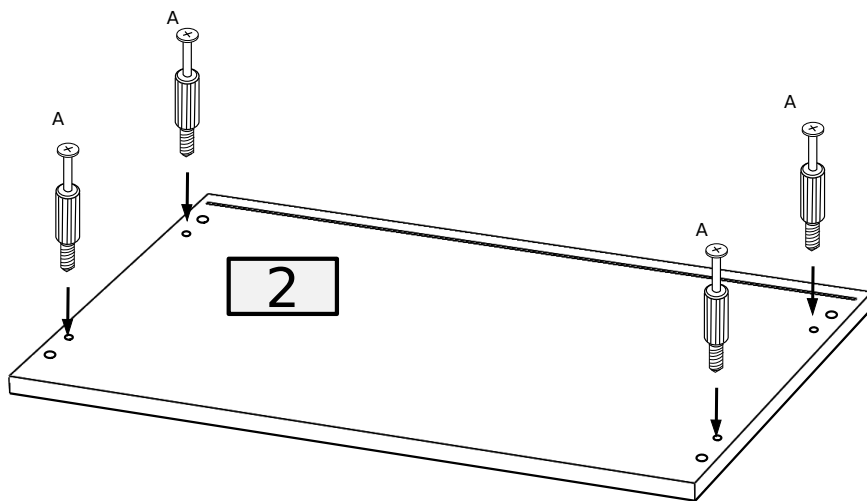
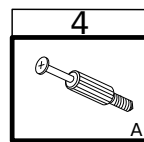
③



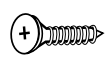

4

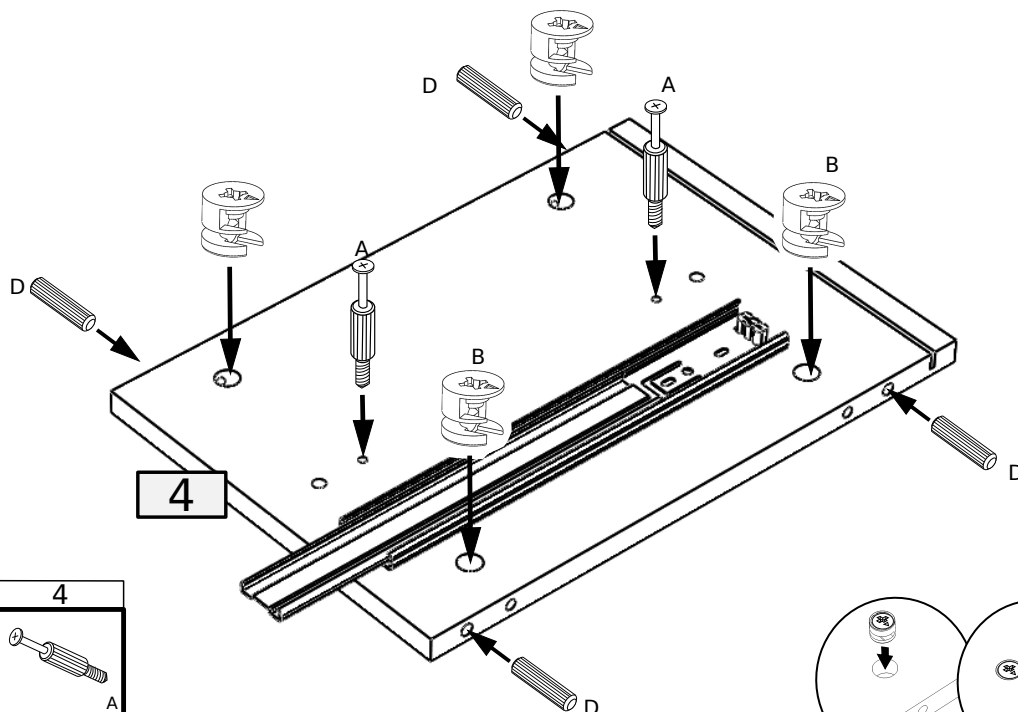
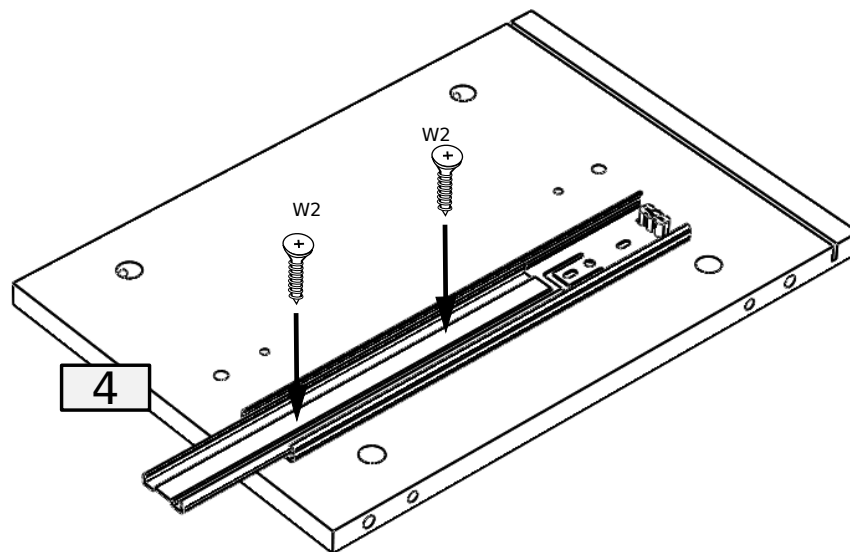


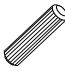
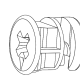
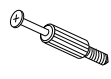
5

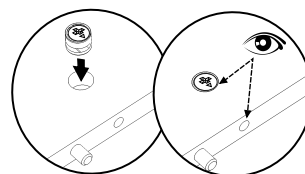


8



2	1
	
3.5x16 W2	PK

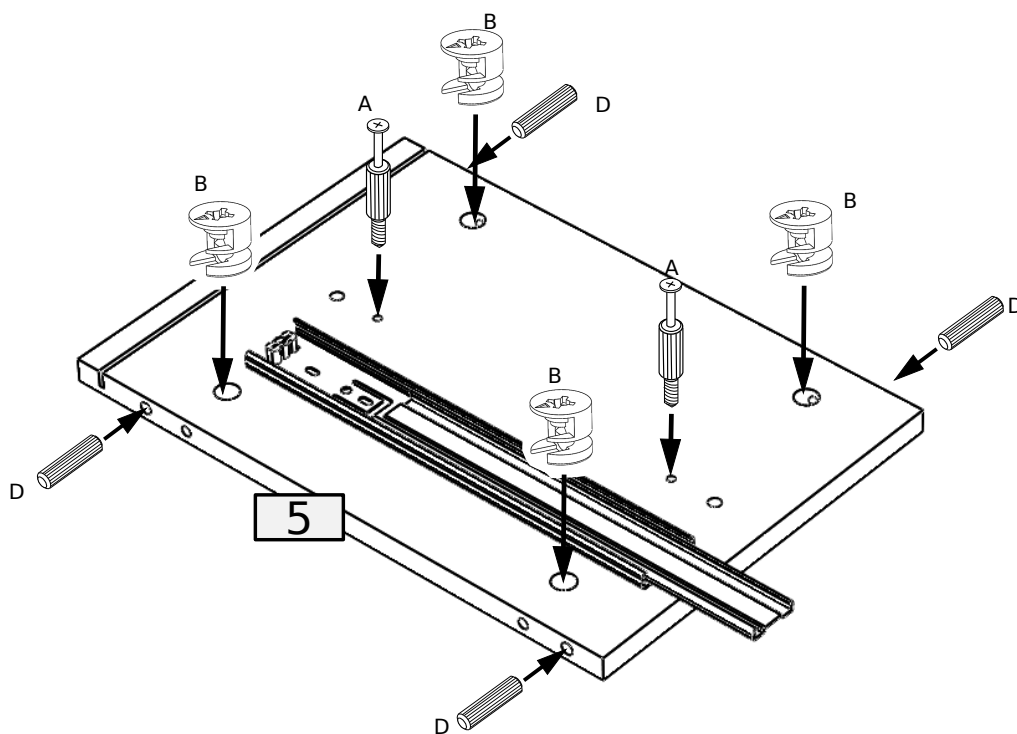
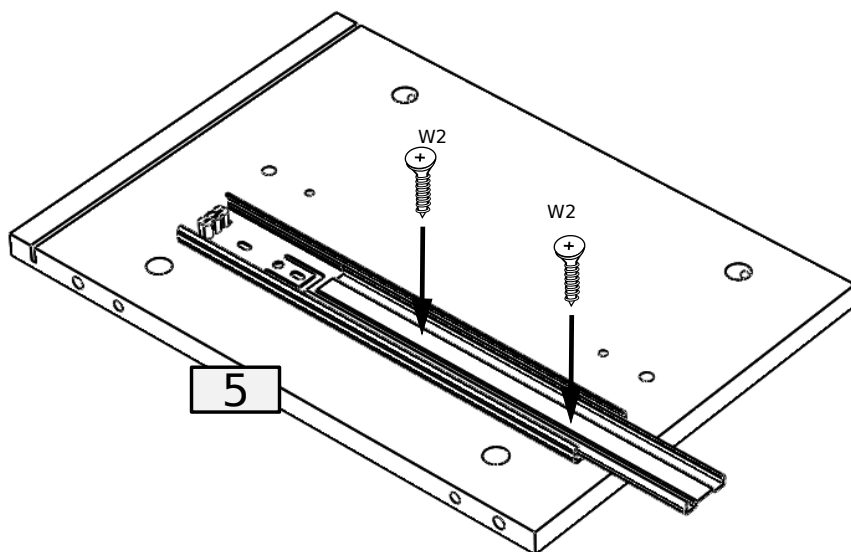




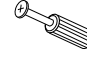
4	4	4
		
8.0x35 D	B	A

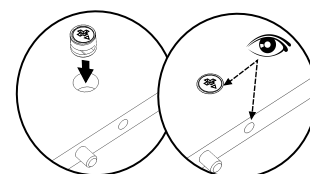


9

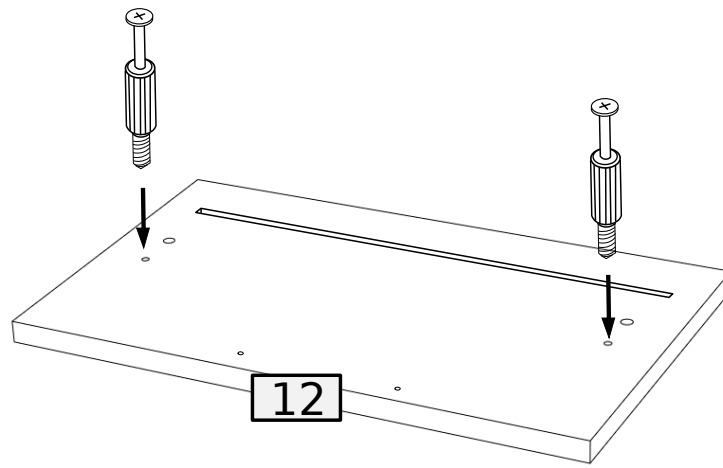
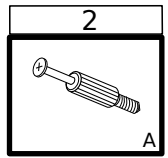
2	1
	
3.5x16 W2	PK



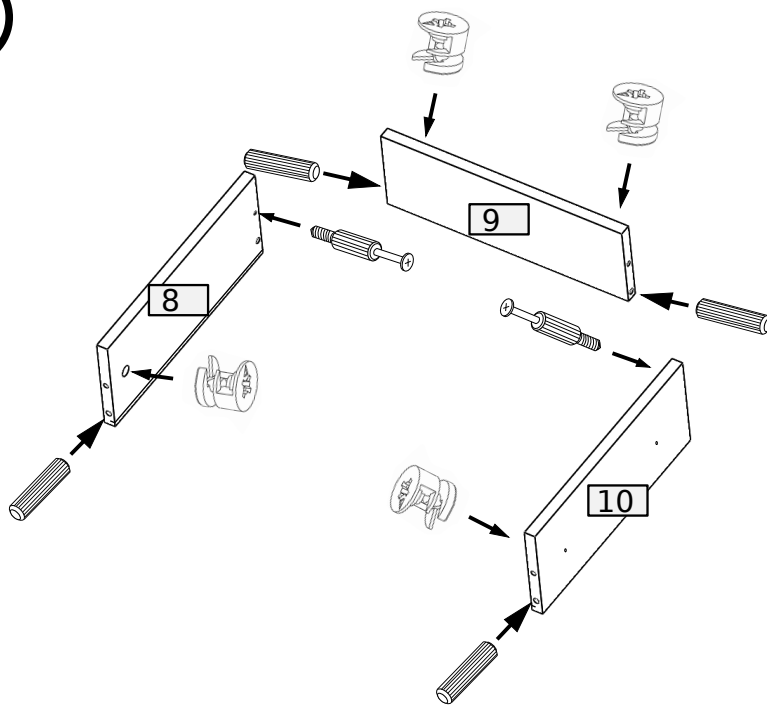
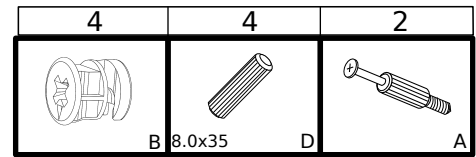
4	4	4
		
8.0x35 D	B	A



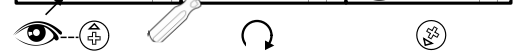
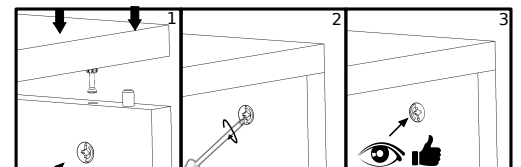
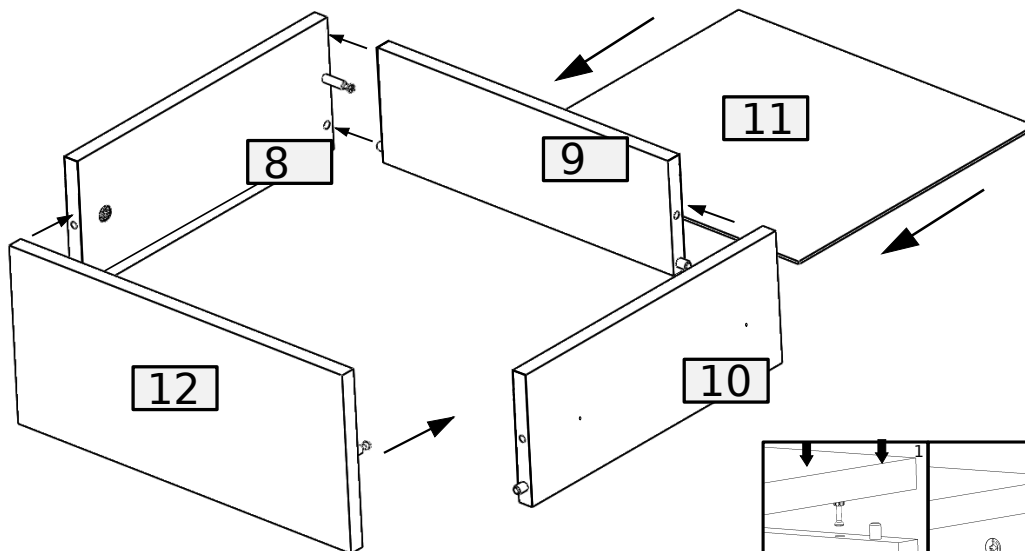
10



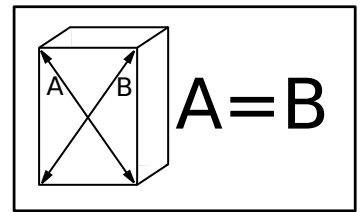
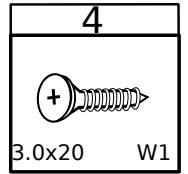
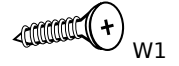
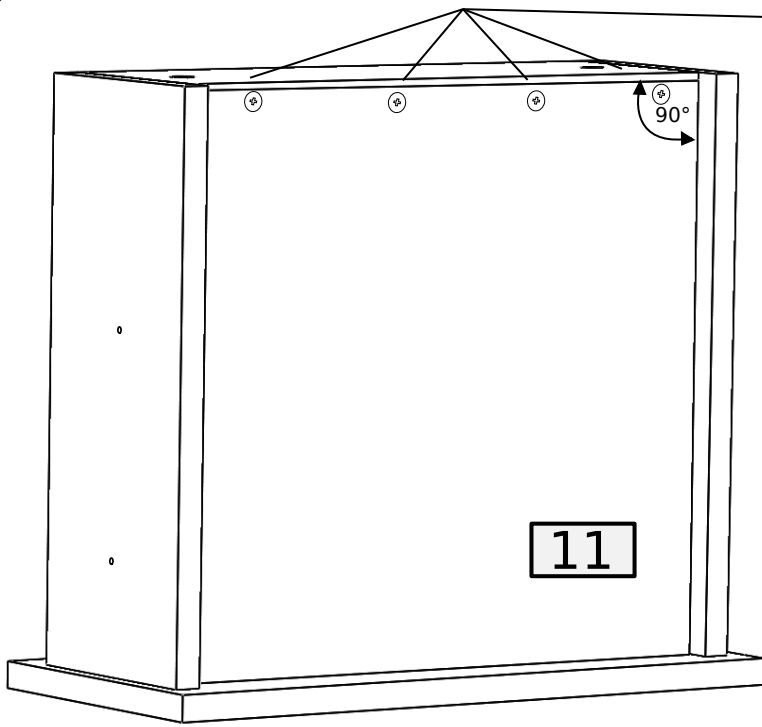
11



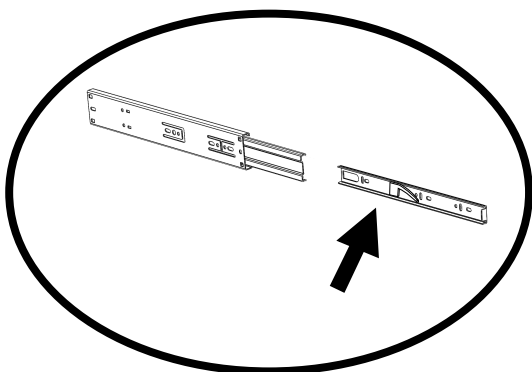
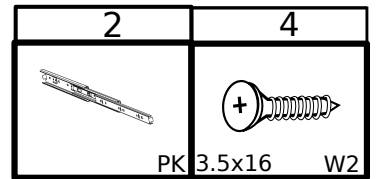
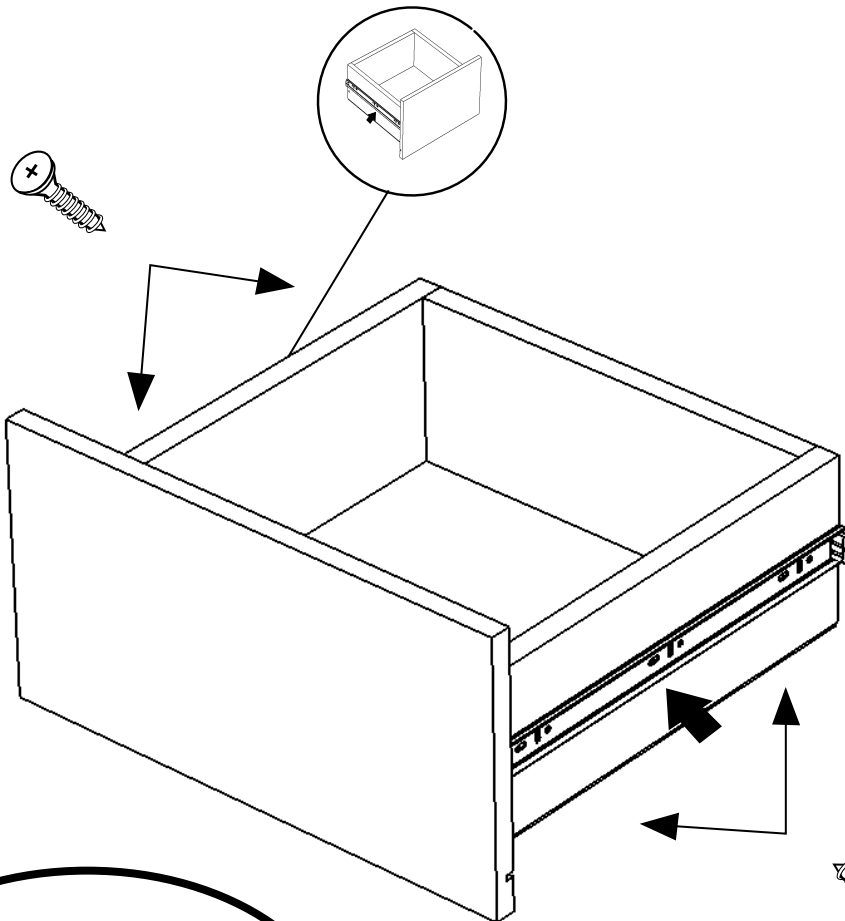
12



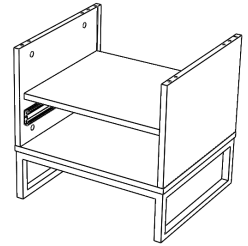
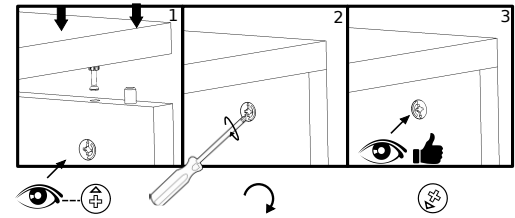
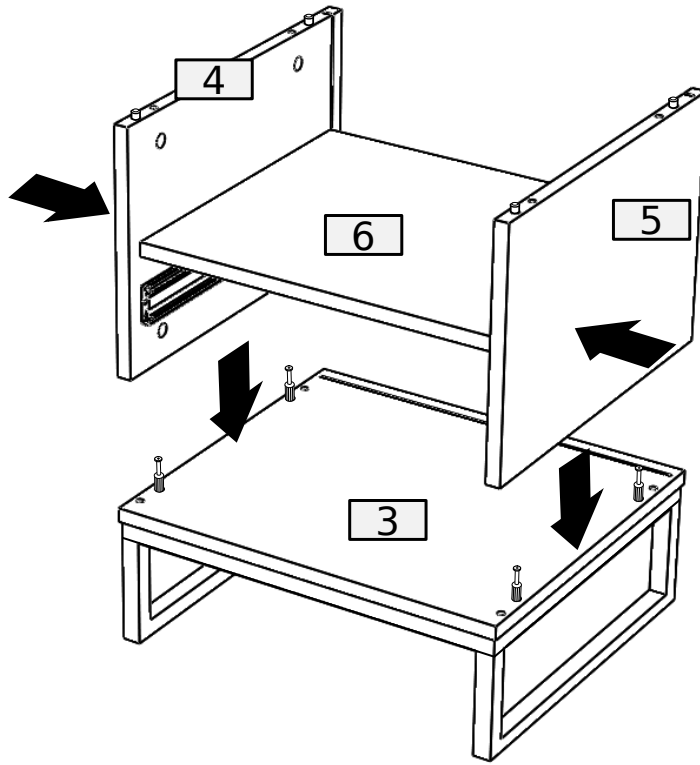
13



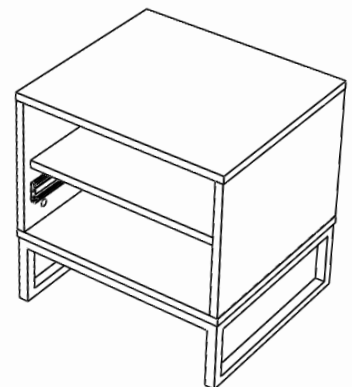
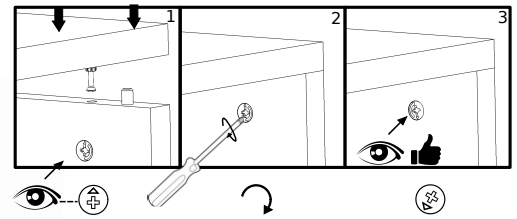
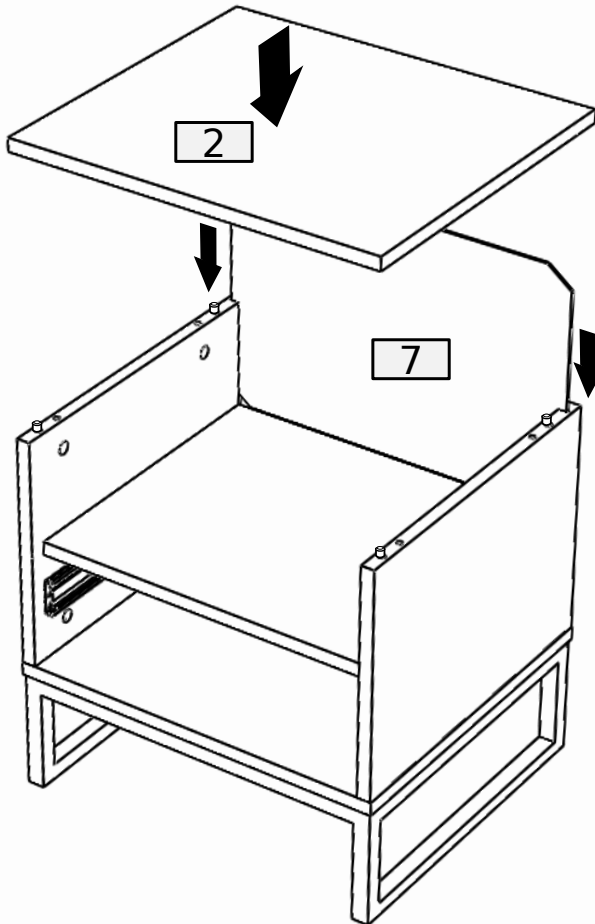
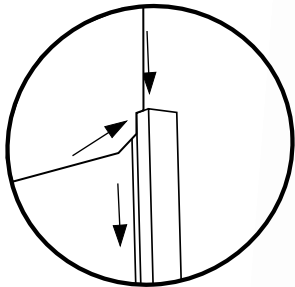
14



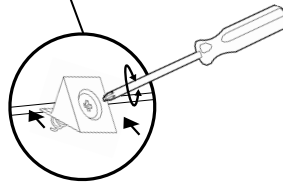
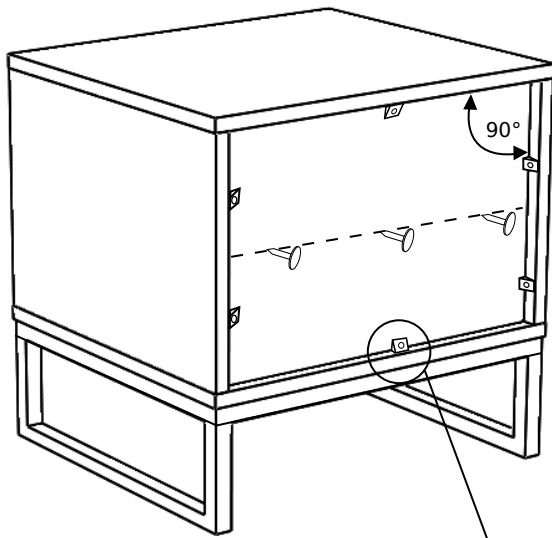
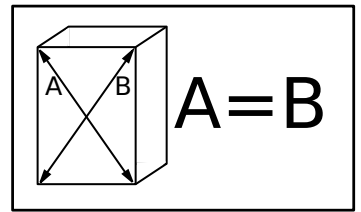
15





16

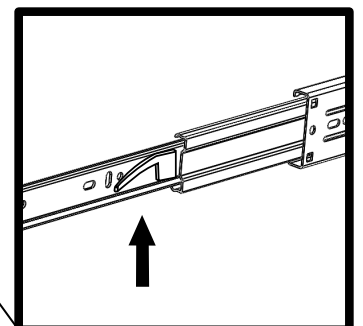
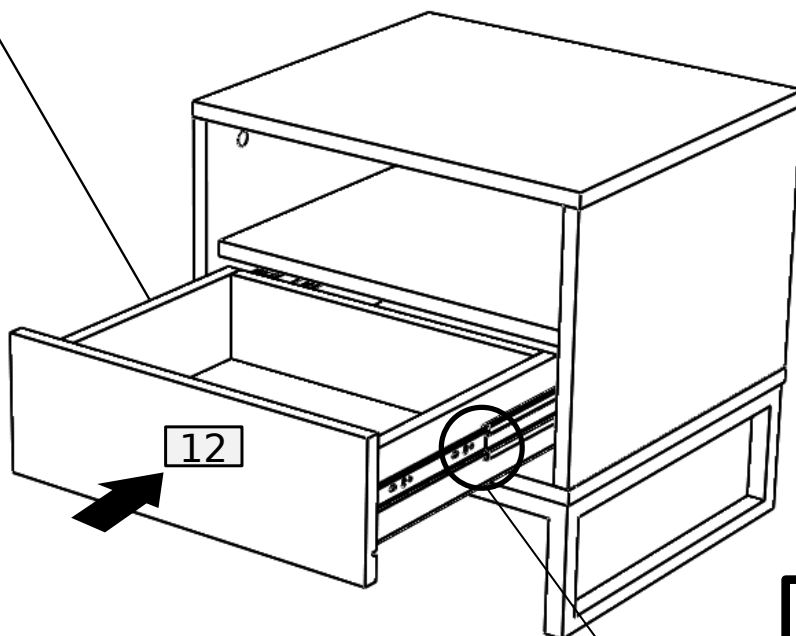
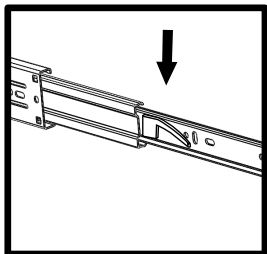


17



3	6
	
G	I

18



19

